



## KLT lifters

---

Ergonomic material supply

## Contents

---

<b>Information</b> .....	<b>3</b>
<b>1 KLT lifters</b> – Efficient production .....	4
<b>2 KLT lifters</b> – Advantages .....	5
<b>2 KLT lifters</b> – High-quality configuration .....	6
<b>Technical data</b> .....	<b>9</b>
<b>3 2000 + 2300 model</b> .....	10
<b>4 3000 + 3300 model</b> .....	12
<b>5 2000 + 2300 model</b> – Technical data, front loading .....	14
<b>6 3000 + 3300 model</b> – Technical data, front loading .....	15
<b>7 2000 + 2300 model</b> – Technical data, side loading .....	16
<b>8 3000 + 3300 model</b> – Technical data, side loading .....	17
<b>9 Configuration</b> – Control panel .....	18
<b>10 Configuration</b> – Standard forks .....	19
<b>11 Configuration</b> – Custom forks .....	20
<b>12 Configuration</b> – Compatible dolly .....	21
<b>13 Accessories</b> .....	22
<b>14 Special lifters</b> – Technical data .....	23

# KLT lifters Information



**Efficient production!**

**Ideal aids!**

**High-quality configuration!**

# The SG KLT lifters

## Efficient production

Electronic crate-lifting devices are used to raise and lower standard small load carriers (known as SLCs for short, or KLT in German), blisters and other industrial containers. They help ensure items needed at the work bench or production machine are moved into an ergonomic position for further processing, without putting any strain on staff.

Using KLT lifters is one way of easing the burden on staff, reducing absences, improving job satisfaction and maximising value creation. Ensuring workstations have an age-appropriate and ergonomically optimised configuration gives you more flexibility when assigning workstations, while also boosting productivity at the same time.

### What KLT lifters offer:

- Electric gearmotor with brake
- Photoelectric sensor that can be adjusted steplessly to any working height
- Surfaces:
  - Anodized aluminium
  - Bright zinc-plated steel, powder-coated in RAL 7035
- Optional:
  - KLT lifter 3.5" touchscreen control panel
  - KLT lifter pushbutton control panel
- Optional 2<sup>nd</sup> photoelectric sensor available depending on use, for details see page, for details, see page 6 / 22 **Accessories**
- Software update via USB link
- Simple realisation of custom solutions
- External communication possible via controller (e.g. height reached → send signal to PLC)
- 2 unassigned electrical inputs for external signals (e.g. sensor) in the controller



Fig.: KLT lifter 2000, front loading, side-on, central support foot



Fig.: KLT lifter 2000 with optional 2<sup>nd</sup> photoelectric sensor

# Advantages of the KLT lifters - an overview

- Ergonomic**  
 Efficient, pain-free working practices thanks to ergonomic and user-friendly operation.
- Modular design**  
 KLT lifters can be converted from side loading to front loading at a later date.
- Adaptable**  
 Photoelectric sensor can be adjusted steplessly by hand.  
*Optional 2<sup>nd</sup> photoelectric sensor available (retrofittable)*
- Future-proof**  
 Manual, automatic, stacking or positioning mode using removable control unit.  
 3.5" touchscreen or pushbutton control unit.
- Service/maintenance**  
 The control panel of the KLT lifters issues a notification after 60,000 lift cycles or 5,000 operating hours to recommend a service.
- Semi-mobile**  
 Fixed castors mean KLT lifters can be quickly and safely moved to a new location.
- Integrable & flexible**  
 All-round grooves for attaching transfer systems/machine enclosures.  
 Stable grips for handling & positioning.
- Levelling**  
 Adjustable foot for stability.

## Technical data

	2000 model	2300 model	3000 model	3300 model
Order No.	15200	15230	15300	15330
Lifting height	95 - 950 mm	95 - 1,250 mm	95 - 1,000 mm	95 - 1,300 mm
Max. carrying capacity	2,000 N	2,000 N	3,000 N	3,000 N
Loading type	Front, end-on/side-on Side, end-on/side-on	Front, end-on/side-on Side, end-on/side-on	Front, end-on/side-on Side, end-on/side-on	Front, end-on/side-on Side, end-on/side-on

# High-quality The configuration of KLT lifters

## KLT lifter control panels

KLT lifters are not supplied with a control panel.  
You can choose between:



**Pushbutton**  
(Order No. 14052)

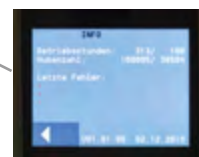


**3.5" touchscreen**  
(Order No. 14053)

### Advantages of the touchscreen control panel



Updated icons –  
clear display



Runtime and  
number of lift  
cycles displayed  
in info dialogue

## Sensor

- **Vertical** 2nd light barrier: absolutely necessary for the position mode! Depending on how the light barrier was placed, the lifter stops at the set height.
- **Horizontal** 2nd light barrier: suitable for the parallel movement of 2 plastic boxes (KLT containers), e. g. for side loading. The light barrier is available as standard (retrofittalbe).
- Option of linking positioning mode to a sensor (enables very precise repeatability)



Added safety from additional checks besides those on runtime

- Software update via USB link – simple realisation of bespoke solutions
- External communication (e.g. PLC) via an interface in the controller
- 2 unassigned electrical inputs for external signals (e.g. sensor) in the controller

## Forks

Our standard forks are compatible with virtually all conventional dollies.

Custom forks and other custom configurations for specific requirements are available on request.



# syskomp gehmeyr

## A dependable partner for over 50 years

The success story behind the syskomp Group stretches back over 50 years.

Starting out in 1960 as a straightforward trading operation, the company has developed into a specialist for flexible and customised solutions in the field of assembly technology and industrial automation.

The Group consists of syskomp gehmeyr GmbH, which is headquartered in Amberg (Germany), our sites in Regensburg and Medingen (Germany), the emico division in Amberg and bfm GmbH in Wöllersdorf (Austria).

We offer our customers the ultimate in reliability and maximum expertise are. Our holistic approach to business ensures that the optimum processes are developed to suit the specific customer application. From the very start through to the handover, we are a skilled contact for our customers, covering all phases of the project, from initial consulting to successful commissioning.



*The head office of the syskomp Group in Amberg (Germany).*



# KLT lifters

## Technical data | order configuration



**KLT lifters**

**Control panels, forks**

**Dollies & accessories**

# KLT lifters

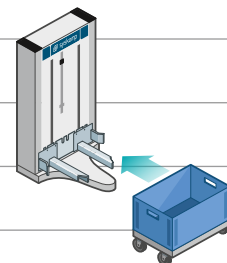
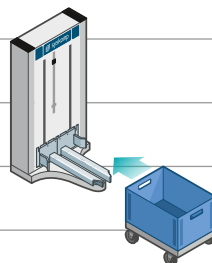
## 2000 and 2300 models



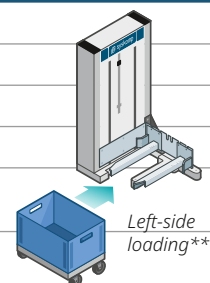
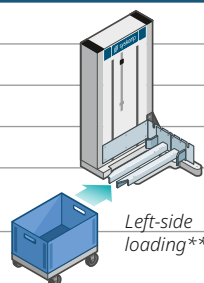
Technical data	2000 model	2300 model
Order No.	15200	15230
Dimensions W × H × D [mm] (not including forks)	600 × 1,216 × 290	600 × 1,516 × 290
Lifting height [mm]	95 - 950	95 - 1,250
Max. carrying capacity	2,000 N	2,000 N
Power supply	230 V / 50 Hz, 16 A	230 V / 50 Hz, 16 A
Current consumption	0.25 kW	0.25 kW
Protection class	IP 54 IEC 529	IP 54 IEC 529
Max. lifting speed	40 mm / sec.	40 mm / sec.

## Order configuration

Front loading	End-on	Side-on
Description	Order No.	Order No.
Lifter	15200 or 15230	15200 or 15230
Central support foot (quantity of 1 required)	14281	14281
Fork pair 600 or Fork pair 600 HW	14070 or 14070.01	- -
Fork pair 400 or Fork pair 400 HW	- -	14069 or 14069.01
3.5" touchscreen control panel or pushbutton control panel	14051 14052	14051 14052



Side loading	End-on	Side-on
Description	Order No.	Order No.
Lifter	15200 or 15230	15200 or 15230
Support foot range		
for side loading right	15521	15521
for side loading left	15522	15522
Fork pair 600 or Fork pair 600 HW	14070 or 14070.01	- -
Fork pair 400 or Fork pair 400 HW	- -	14069 or 14069.01
3.5" touchscreen control panel or pushbutton control panel	14051 14052	14051 14052



Necessary accessory when working in stacking mode. Cannot be retrofitted!		
2 <sup>nd</sup> photoelectric sensor vertical	Extension stacking mode	16130

See pages 19 and 20 for fork dimensions and application.



*KLT-Lifter 2000 left-side loading diagonally*

# KLT lifters

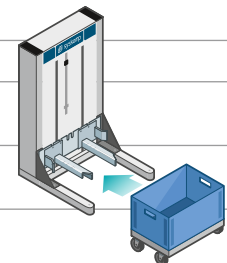
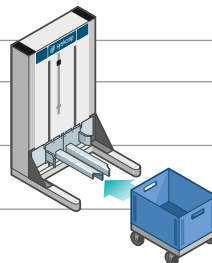
## 3000 and 3300 models

Technical data	3000 model	3300 model
Order No.	15300	15330
Dimensions W × H × D [mm] (not including forks)	700 × 1,286 × 290	700 × 1,586 × 290
Lifting height [mm]	95 - 1,000	95 - 1,300
Max. carrying capacity	3,000 N	3,000 N
Power supply	230 V / 50 Hz, 16 A	230 V / 50 Hz, 16 A
Current consumption	0.56 kW	0.56 kW
Protection class	IP 54 IEC 529	IP 54 IEC 529
Max. lifting speed	40 mm / sec.	40 mm / sec.

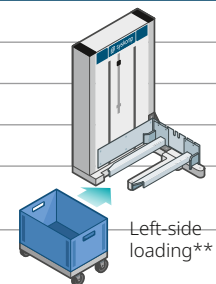
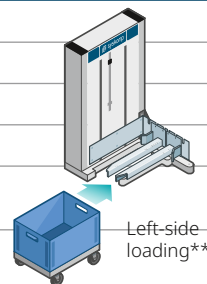


## Order configuration

Front loading	End-on	Side-on
Description	Order No.	Order No.
Lifter	15300 or 15330	15300 or 15330
Support foot range	15530	15530
Fork pair 600 or Fork pair 600 HW	14089 or 14070.01	-
Fork pair 400 or Fork pair 400 HW	-	14069 or 14069.01
3.5" touchscreen control panel or pushbutton control panel	14051 14052	14051 14052



Side loading	End-on	Side-on
Description	Order No.	Order No.
Lifter	15300 or 15330	15300 or 15330
Support foot range		
<i>for side loading right</i>	15531	15531
<i>for side loading left</i>	15532	15532
Fork pair 600 or Fork pair 600 HW	14089 or 14070.01	-
Fork pair 400 or Fork pair 400 HW	-	14069 or 14069.01
3.5" touchscreen control panel or pushbutton control panel	14051 14052	14051 14052



Necessary accessory when working in stacking mode. Cannot be retrofitted!		
2 <sup>nd</sup> photoelectric sensor vertical	Extension stacking mode	16130

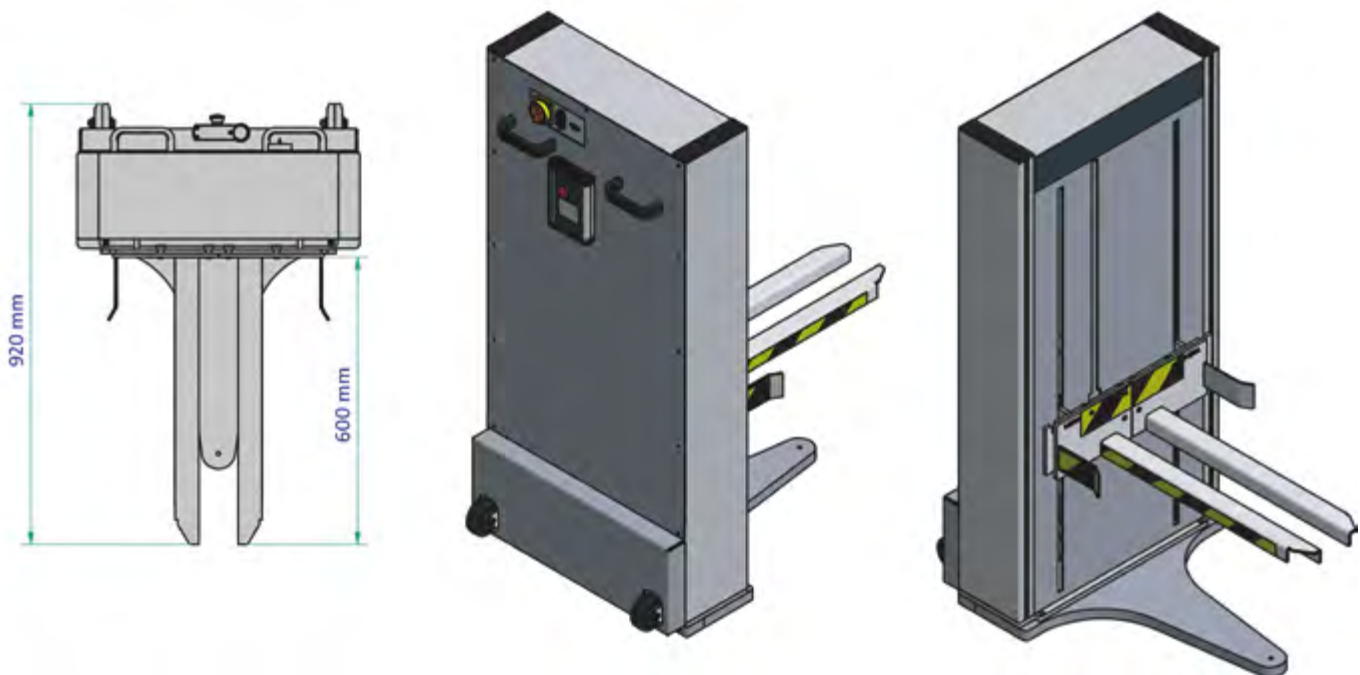
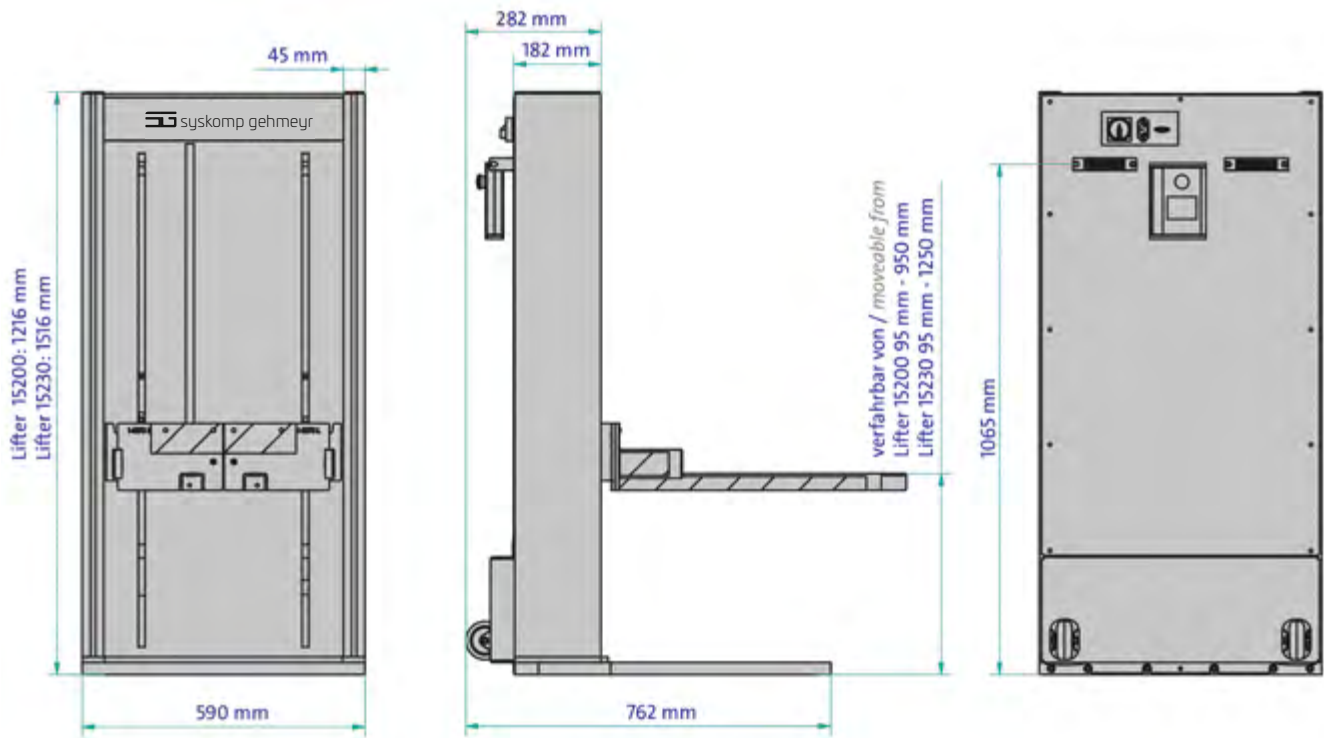
See pages 19 and 20 for fork dimensions and application.



*KLT-Lifter 3000 left-side loading lengthwise*

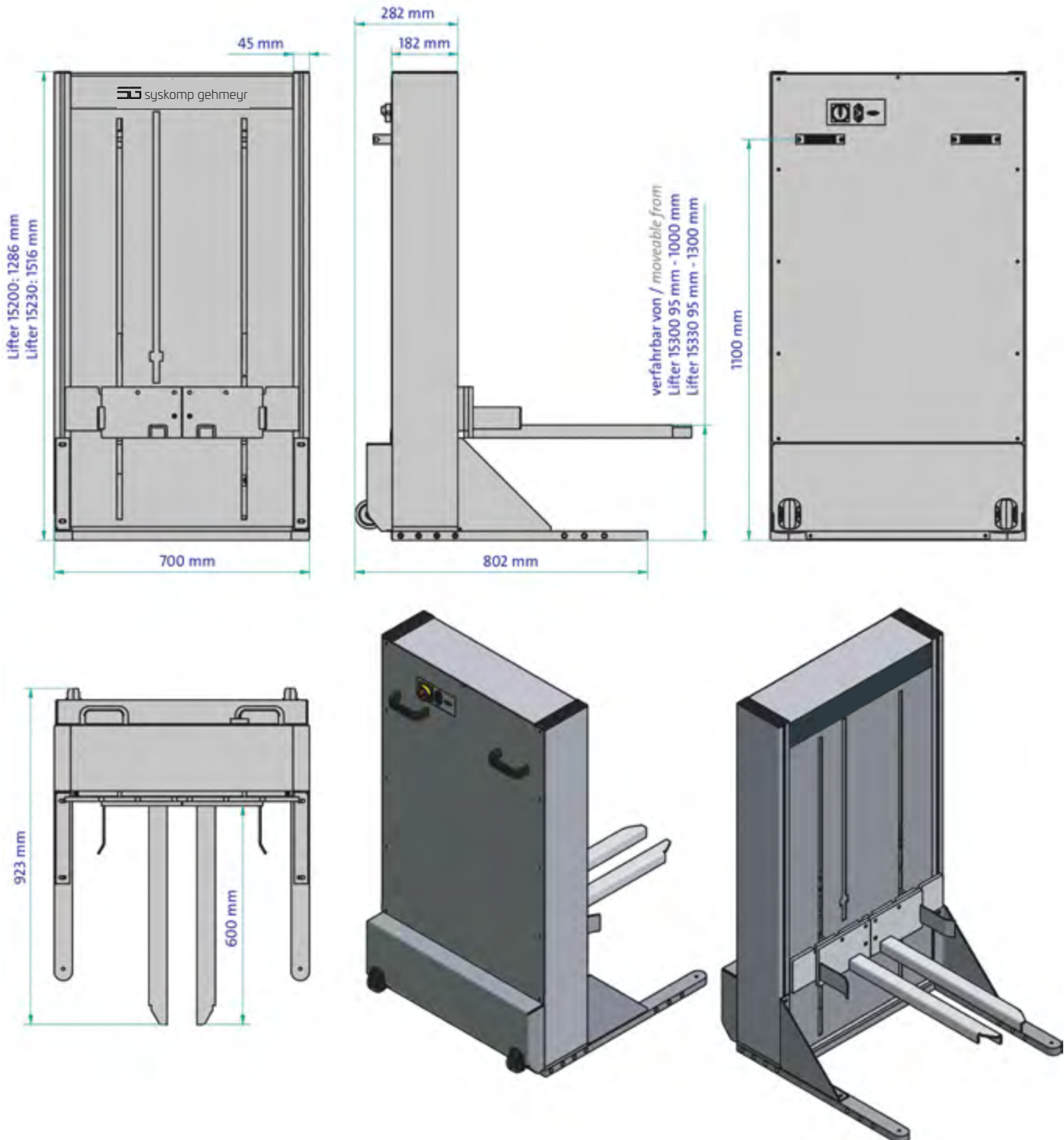
# Technical data

## KLT lifter 2000 (2300), front loading



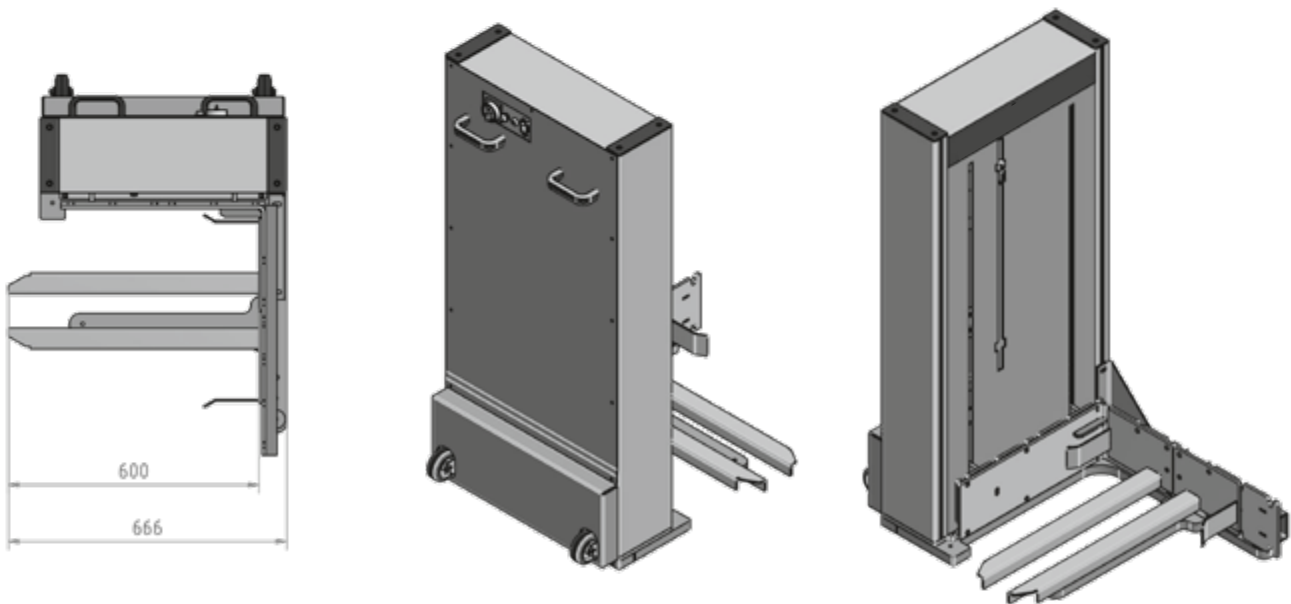
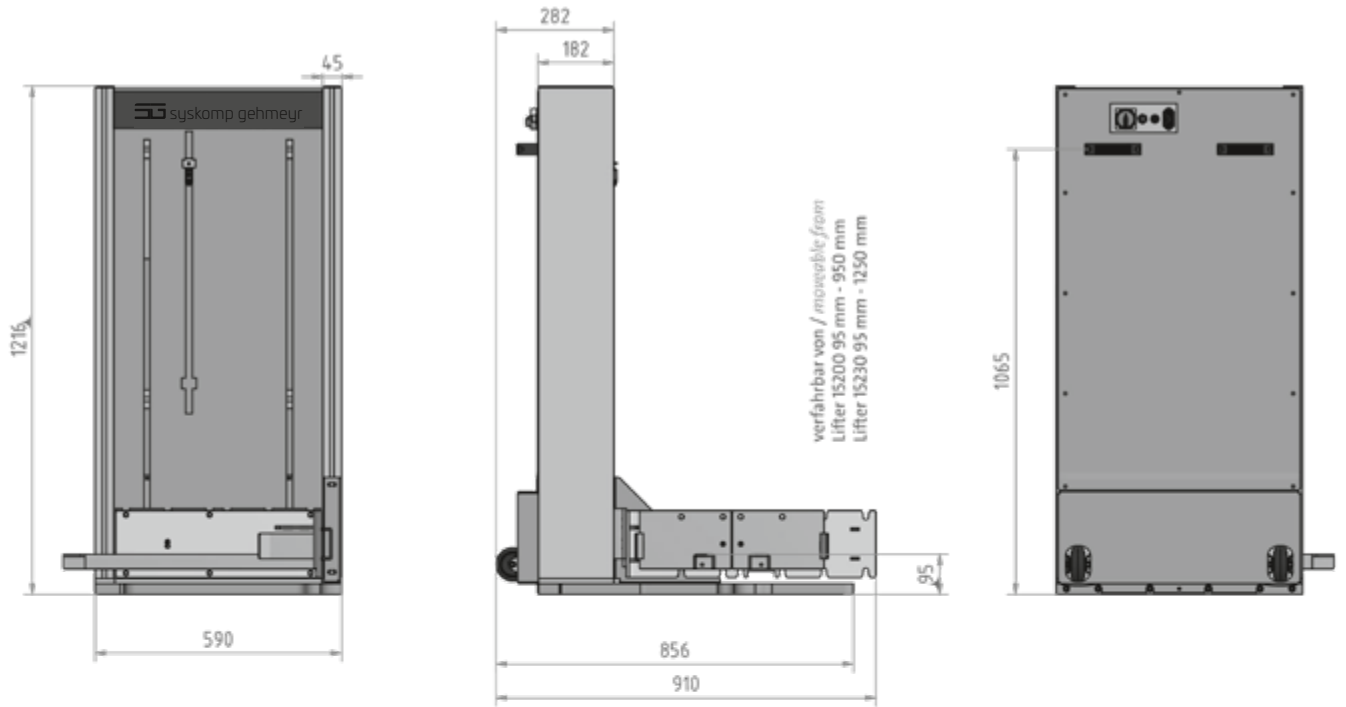
# Technical data

## KLT lifter 3000 (3300), front loading



# Technical data

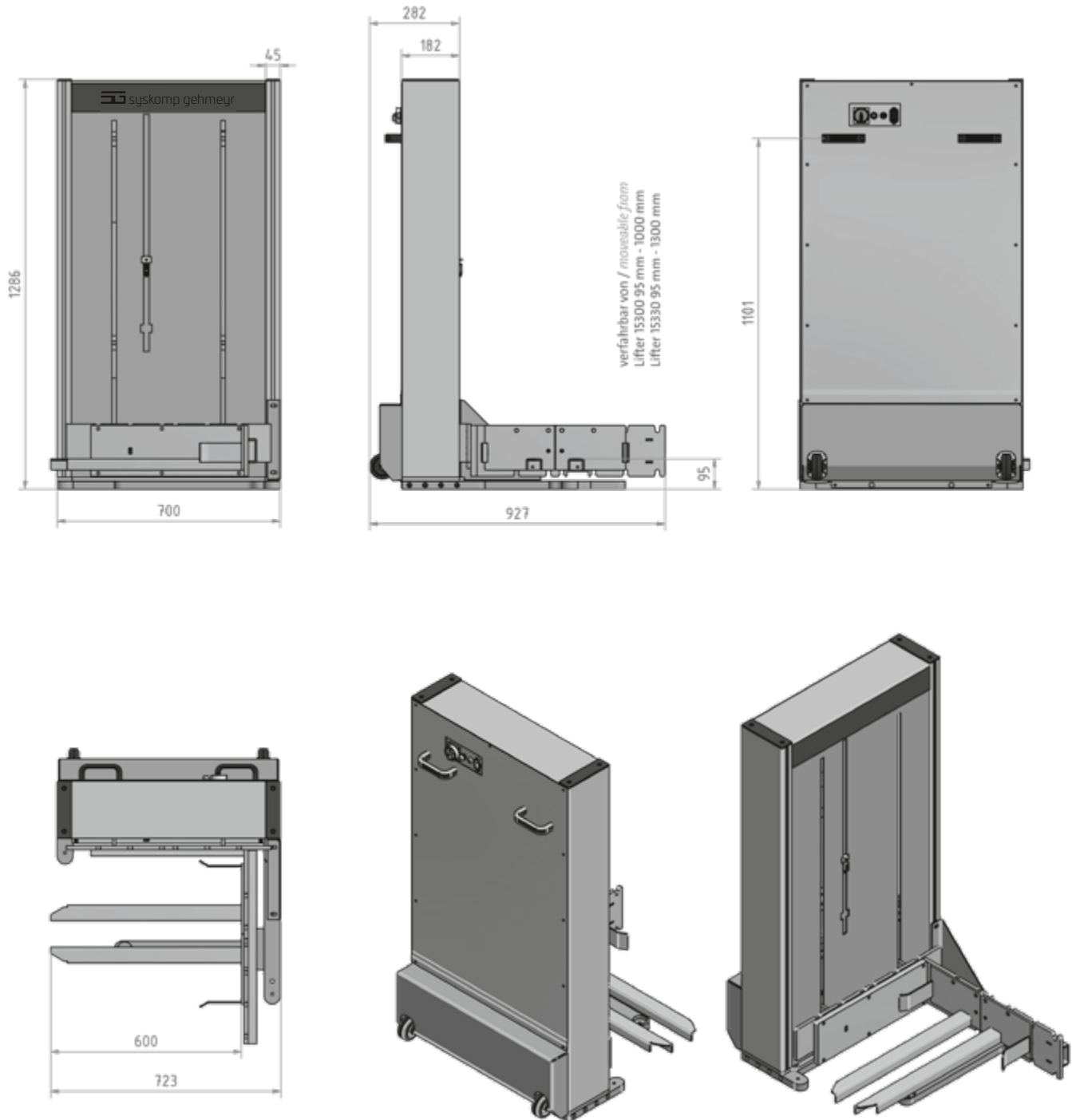
## KLT lifter 2000 (2300), left-side loading lengthwise





# Technical data

## KLT lifter 3000 (3300), left-side loading lengthwise



# High-quality configuration

## KLT lifter control panel

KLT lifters are not supplied with a control panel. When placing an order, please state which KLT lifter control panel you would like.

You can choose between:

### KLT lifter 3.5" touch-screen control panel

Order No. 14053



### KLT lifter pushbutton control panel

Order No. 14052



#### Facts

- Emergency shut-off
- Manual mode – manual procedure
- Automatic mode – stacking and destacking controlled by photoelectric sensor
- Positioning mode – moving to set positions
- Stacking mode – stacking and destacking in definable stages

#### Advantages

- Updated icons – clear display
- Runtime and number of lift cycles displayed in info dialogue
- Added safety from additional checks besides those on runtime
- Two additional functions
- More potential applications
- Deactivating and activating functions via the service menu
- Company logo can be integrated
- Innovative operation
- Responsive, capacitive touch display
- Fast response time - contemporary interface
- Robust, milled aluminium body
- Compact design
- Adjustable adapter with magnetic base

#### Facts

- Emergency shut-off
- Manual mode – manual procedure
- Automatic mode – stacking and destacking controlled by photoelectric sensor

#### Advantages

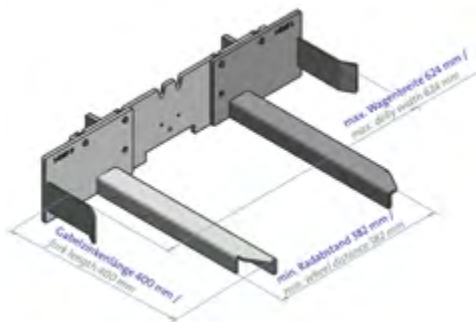
- More robust
- Simpler (user-friendly)
- Self-explanatory

# High-quality configuration

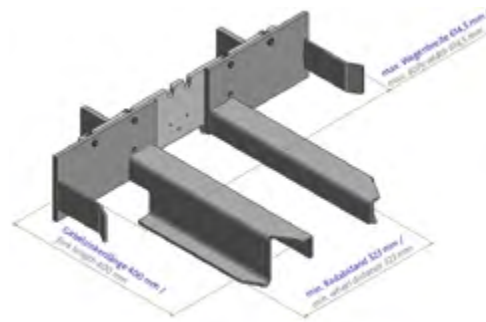
## Standard forks

### Technical data

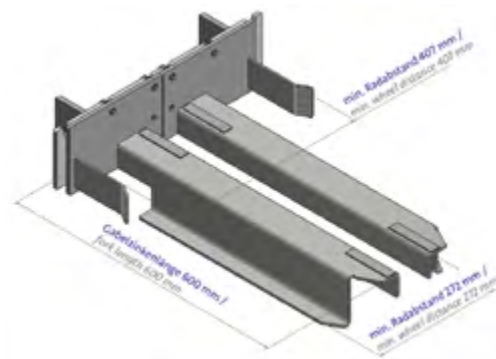
Material: Bright zinc-plated steel



Order No. 14069



Order No. 14069.01



Order No. 14070.01



Order No. 14089 / 14070

## Order configuration

### Fork pair 400, side-on

Order No.	Forks, outside / min. wheel spacing [mm]	Guide tabs, spacing / max. dolly width [mm]	Max. carrying capacity [N]	Unladen weight [kg]
14069	382	624	3,000	7.4
14069.01	323	614	3,000	11.2

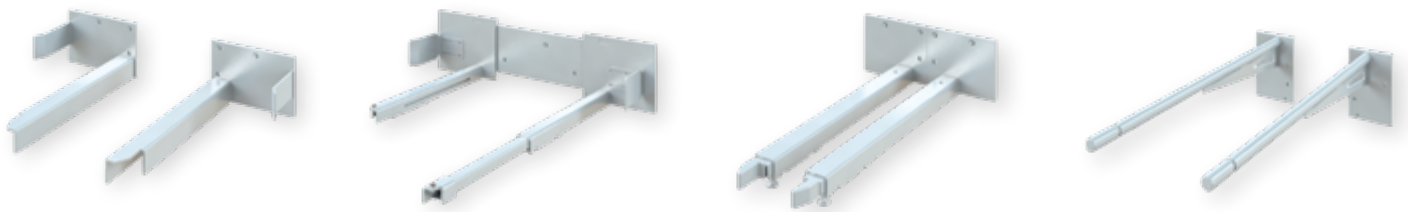
### Fork pair 600, end-on

Order No.	Forks, outside / min. wheel spacing [mm]	Guide tabs, spacing / max. dolly width [mm]	Max. carrying capacity [N]	Unladen weight [kg]
14070	183	424	2,000	9.2
14070.01	272	407	3,000	14.3
14089	183	424	3,000	11.5

# High-quality configuration

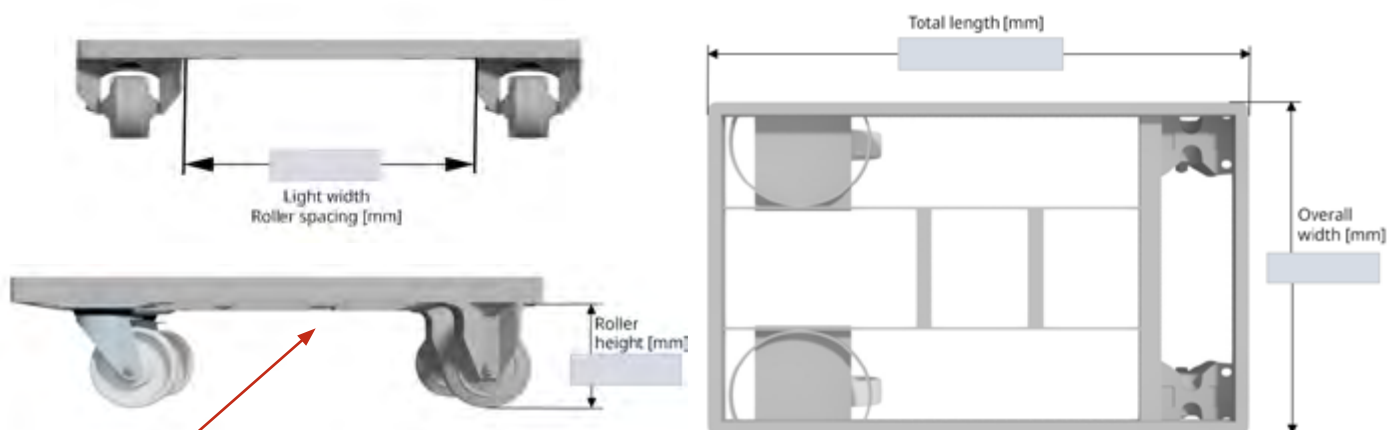
## Custom forks

We can supply custom forks on request. Developing a custom fork design means that bespoke solutions can be created for any type of dolly. We can also supply the KLT lifter in custom heights on written request.



## Dimension check for existing floor dollies

To be able to offer a suitable fork for your existing floor dollies, we need to know the following dimensions:



**Important!**  
Note the interfering contours on the underside of the dollies.

# Compatible dollies

## 400 x 600

### Technical data

Material	Steel
Unladen weight [kg]	6.5
Castor diameter [mm]	100
Stackable	Yes
ESD-safe design	On request
With raised edge for flat container bases	On request



Order No. MAT-BORO-1



Order No. MAT-BORO-7B Combi



Order No. MAT-BORO-7B



Order No. MAT-BORO-3



Order No. MAT-BORO-2

## Order configuration

### Dolly without drawbar

Order No.	For fork pair	Swivel/fix castors	Width [mm]	Length [mm]	Length [mm]
MAT-BORO-1	14070.01 end-on	2 / 2 (plastic)	400	600	250
MAT-BORO-2	14070.01 end-on 14069.01 side-on	4 / - (plastic)	400	600	250
MAT-BORO-3	14090.01 end-on	2 / 2 (plastic)	400	400	160

### Dolly with drawbar






Order No.	For fork pair	Swivel/fix castors	Width [mm]	Length [mm]	Length [mm]
MAT-BORO-7	14070.01 end-on	2 / 2 (plastic)	400	600	250
MAT-BORO-7B / Combi	14070.01 end-on	2 / 2 (plastic / rubber)	400	600	250

\* ESD-safe design on request



Custom dollies and other custom configurations for specific requirements are available on request.

# Accessories for your KLT lifter

Description	Order No.		Information
2 <sup>nd</sup> photoelectric sensor extension stacking mode	16130		<b>Necessary</b> accessory when working in stacking mode. Cannot be retrofitted - must be installed when ordering.
Double photoelectric sensor, horizontal	16110		Optimal extension for floor dollies with 2 boxes collateral (can be retrofitted)
Height sensor	16120		Optional add-on for precise positioning in positioning mode (repeatability max. 1 mm)
Angled M12 connector	16150		5-pin, B coding, female Optional accessory: For control unit 14051/14052 for an angled cable output
Telescopic fork	14077		Material: Steel Surface: Bright zinc-plated Length of forks adjustable from min. 470 mm to max. 760 mm Outer width of forks (minimum wheel spacing) adjustable from min. 172 mm to max. 420 mm Each side guide adjustable by 75 mm Maximum outer dimensions of dolly: 454 mm - 777 mm Max. load-carrying capacity: 1,000 N
Telescopic fork	14101		Material: Steel Surface: Bright zinc-plated Length of forks adjustable from min. 445 mm to max. 730 mm (increments of 15 mm) Outer width of forks (minimum wheel spacing) adjustable from min. 405 mm to max. 205 mm (increments of 50 mm) Side guide plates each adjustable by 55 mm Maximum outer dimensions of dolly: 378 mm - 686 mm Max. load-carrying capacity: 1,000 N
Base plate for support foot	14384		For KLT lifter 3000
Central support foot	14382		
Maintenance pack/Lifter	15999		Cloths, grease, brush and instructions



# Special Lifters

## Technical data

Order No.	15201	15202	15203
Basic device	KLT lifter 2001	KLT lifter Basic	KLT lifter Basic
Dimensions W × H × D [mm] (not including forks)	600 × 1,216 × 290	600 × 1,516 × 290	600 × 1,216 × 290
Lifting height [mm]	95 - 950	95 - 950	95 - 950
Max. carrying capacity	1,000 N	1,000 N	2,000 N
Power supply	230 V / 50 Hz, 16 A	230 V / 50 Hz, 16 A	230 V / 50 Hz, 16 A
Current consumption	0.25 kW	0.25 kW	0.25 kW
Protection class	IP 54 IEC 529	IP 54 IEC 529	IP 54 IEC 529
Max. lifting speed	80 mm / sec.	80 mm / sec.	40 mm / sec.
Notes	No control unit	Basic device similar to standard Lifter 15201 No controller No control unit	Basic device similar to standard Lifter 15200 No controller No control unit

Order No.	15232	15303
Basic device	KLT lifter Basic	KLT lifter Basic 3000
Dimensions W × H × D [mm] (not including forks)	600 × 1,516 × 290	600 × 1,516 × 290
Lifting height [mm]	95 - 1,250	95 - 1,000
Max. carrying capacity	2,000 N	3,000 N
Power supply	230 V / 50 Hz, 16 A	230 V / 50 Hz, 16 A
Current consumption	0.25 kW	0.56 kW
Protection class	IP 54 IEC 529	IP 54 IEC 529
Max. lifting speed	40 mm / sec.	40 mm / sec.
Notes	Basic device similar to standard Lifter 15230 No controller No control unit	Basic device similar to standard Lifter 15300 No controller No control unit



ESD version available on request!

# How to reach us

## Wherever you need us, we are there

### Your contact

#### **syskomp gehmeyr GmbH - Amberg head office:**

Max-Planck-Str. 1  
92224 Amberg  
Germany  
Tel. +49 9621 67547-0  
Fax +49 9621 67547-99  
amberg@syskomp-group.com

#### **syskomp gehmeyr GmbH - Regensburg site:**

Auerbacher Str. 2  
93057 Regensburg  
Germany  
Tel. +49 941 69681-0  
Fax +49 941 69681-49  
regensburg@syskomp-group.com

#### **syskomp gehmeyr GmbH - Medingen site:**

Am Eichelberg 7  
01458 Ottendorf-Okrilla  
Germany  
Tel. +49 35205 70382-0  
Fax +49 35205 70382-49  
medingen@syskomp-group.com

#### **bfm GmbH - Austria**

Resselst. 7  
2752 Wöllersdorf  
Austria  
Tel. +43 2633 42040-0  
Fax +43 2633 42040-34  
bfm@syskomp-group.com

#### **syskomp gehmeyr GmbH - emico Italy**

Via Gerolamo Fracastoro 3  
37010 Cavaion Veronese (VR)  
Italy  
Tel. +39 45 7235605  
Fax +39 45 2109925  
info@emico.it

