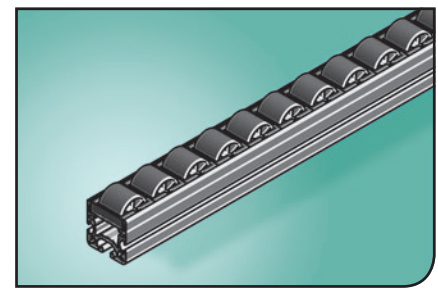
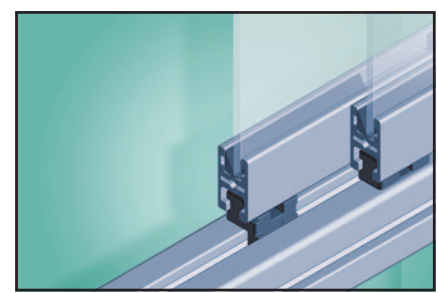
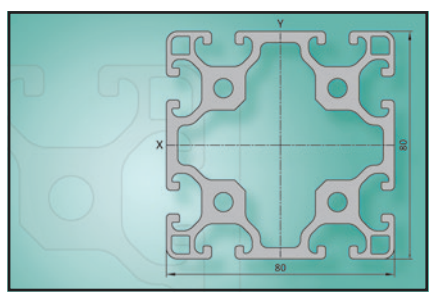
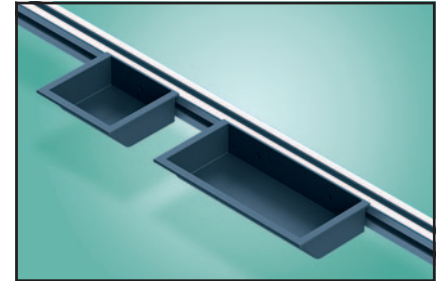




Profile series I-40

System kit

Profile series I-40



CONTENTS

<p>1</p> <p>Technical data/profile machining</p>		 <p>Page 1 2</p>	 <p>Page 1 3</p>	 <p>Page 1 5</p>	 <p>Page 1 8</p>	<p>2</p> <p>Profiles</p>		 <p>Page 2 2</p>
 <p>Page 2 5</p>	 <p>Page 2 10</p>	<p>3</p> <p>Profile accessories</p>		 <p>Page 3 2</p>	 <p>Page 3 3</p>	 <p>Page 3 3</p>	 <p>Page 3 4</p>	 <p>Page 3 4</p>
 <p>Page 3 5</p>	 <p>Page 3 6</p>	 <p>Page 3 7</p>	 <p>Page 3 8</p>	<p>4</p> <p>Fasteners</p>		 <p>Page 4 2</p>	 <p>Page 4 2</p>	 <p>Page 4 2</p>
 <p>Page 4 7</p>	 <p>Page 4 8</p>	 <p>Page 4 8</p>	 <p>Page 4 9</p>	 <p>Page 4 14</p>	 <p>Page 4 15</p>	 <p>Page 4 16</p>	 <p>Page 4 18</p>	 <p>Page 4 19</p>
 <p>Page 4 19</p>	 <p>Page 4 20</p>	 <p>Page 4 20</p>	 <p>Page 4 21</p>	 <p>Page 4 22</p>	 <p>Page 4 23</p>	 <p>Page 4 24</p>	 <p>Page 4 30</p>	 <p>Page 4 33</p>
 <p>Page 4 34</p>	 <p>Page 4 34</p>	 <p>Page 4 35</p>	 <p>Page 4 36</p>	 <p>Page 4 37</p>	 <p>Page 4 38</p>	 <p>Page 4 38</p>	 <p>Page 4 39</p>	 <p>Page 4 40</p>
 <p>Page 4 42</p>	 <p>Page 4 42</p>	 <p>Page 4 43</p>	<p>5</p> <p>Joints</p>		 <p>Page 5 2</p>	 <p>Page 5 4</p>	 <p>Page 5 5</p>	
<p>6</p> <p>Door fittings</p>		 <p>Page 6 2</p>	 <p>Page 6 2</p>	 <p>Page 6 3</p>	 <p>Page 6 3</p>	 <p>Page 6 4</p>	 <p>Page 6 6</p>	 <p>Page 6 6</p>



Page 6|8



Page 6|9



Page 6|9



Page 6|10



Page 6|10



Page 6|11



Page 6|12



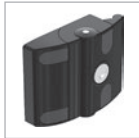
Page 6|12



Page 6|13



Page 6|13



Page 6|14



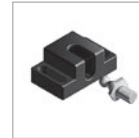
Page 6|15



Page 6|17



Page 6|17



Page 6|18



Page 6|19



Page 6|19



Page 6|20



Page 6|20



Page 6|21



Page 6|21

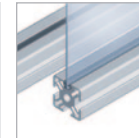


Page 6|22

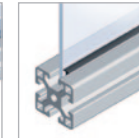


Page 6|22

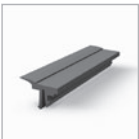
7
Surface elements and linings



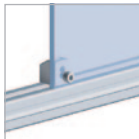
Page 7|2



Page 7|3



Page 7|3



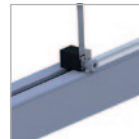
Page 7|4



Page 7|5



Page 7|5



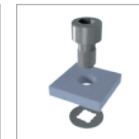
Page 7|6



Page 7|6



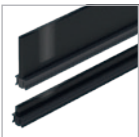
Page 7|7



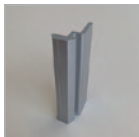
Page 7|7



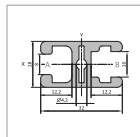
Page 7|8



Page 7|8



Page 7|9



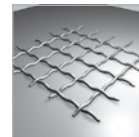
Page 7|9



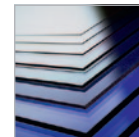
Page 7|10



Page 7|11



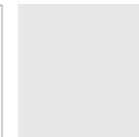
Page 7|11



Page 7|12



Page 7|12



8
Feet and wheels



Page 8|2



Page 8|2



Page 8|3



Page 8|5



Page 8|6



Page 8|7



Page 8|7



Page 8|8



Page 8|8



Page 8|9



Page 8|10



Page 8|11



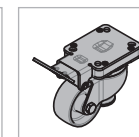
Page 8|13



Page 8|14



Page 8|14



Page 8|15

9
Castors and glides



Page 9|2



Page 9|4



Page 9|5



Page 9|5

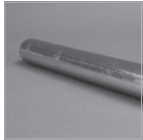


Page 9|6



Page 9|7



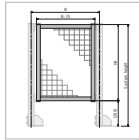


Page 9|8

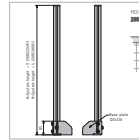


Page 9|8

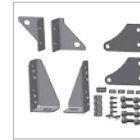
10 Safeguards



Page 10|4



Page 10|7



Page 10|11



Page 10|12



Page 10|13



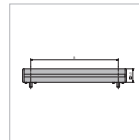
Page 10|13



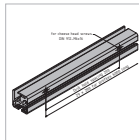
Page 10|14



Page 10|14



Page 10|15



Page 10|16



Page 10|18



Page 10|18



Page 10|19



Page 10|19



Page 10|20



Page 10|20

11 Accessories



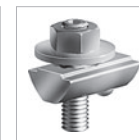
Page 11|2



Page 11|3



Page 11|4



Page 11|4



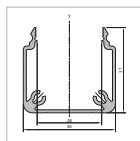
Page 11|4



Page 11|5



Page 11|6



Page 11|7



Page 11|8



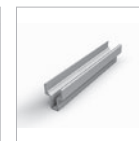
Page 11|8



Page 11|9



Page 11|9



Page 11|10



Page 11|10



Page 11|11

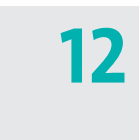


Page 11|11

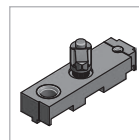


Page 11|12

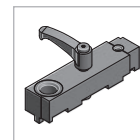
12 Tools



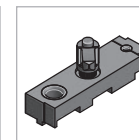
Page 12|2



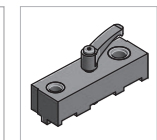
Page 12|2



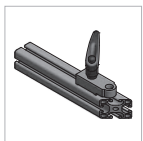
Page 12|2



Page 12|2



Page 12|3



Page 12|3



Page 12|4



Page 12|4



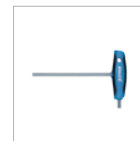
Page 12|4



Page 12|4



Page 12|5



Page 12|5

13 Workplace accessories



Page 13|2



Page 13|3



Page 13|6



Page 13|7



Page 13|9



Page 13|11



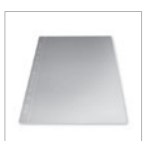
Page 13|12



Page 13|13



Page 13|13



Page 13|14



Page 13|14



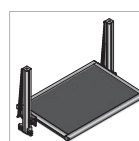
Page 13|14



Page 13|15



Page 13|15



Page 13|16



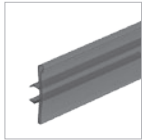
Page 13|17



Page 13|17



Page 13|18



Page 13|18



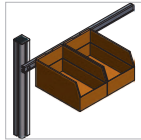
Page 13|18



Page 13|19



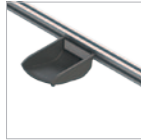
Page 13|19



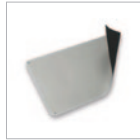
Page 13|20



Page 13|20



Page 13|21



Page 13|23



Page 13|24



Page 13|24



Page 13|24



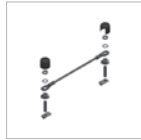
Page 13|24



Page 13|25

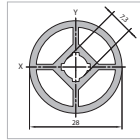


Page 13|25

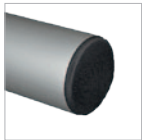


Page 13|25

14
Round pipes



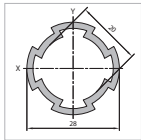
Page 14|3



Page 14|3



Page 14|3



Page 14|4



Page 14|5



Page 14|5



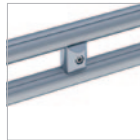
Page 14|6



Page 14|6



Page 14|7



Page 14|7



Page 14|8



Page 14|9



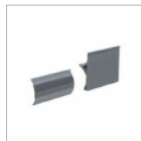
Page 14|10



Page 14|10



Page 14|11



Page 14|11



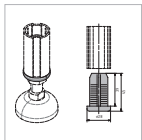
Page 14|12



Page 14|12



Page 14|13



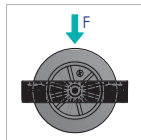
Page 14|13

15
KLT lifters

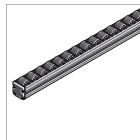


Page 15|2

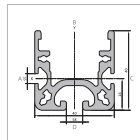
16
Roller conveyor sections



Page 16|2



Page 16|2



Page 16|2



Page 16|3



Page 16|4



Page 16|4



Page 16|5



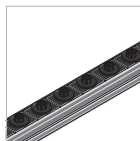
Page 16|6



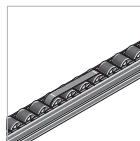
Page 16|6



Page 16|7



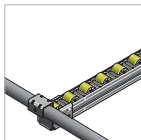
Page 16|7



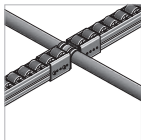
Page 16|8



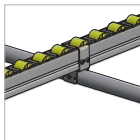
Page 16|8



Page 16|9



Page 16|10



Page 16|10



Page 16|11



Page 16|12



Page 16|13



Page 16|14



Page 16|15

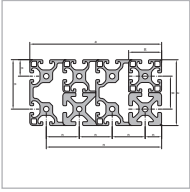


Page 16|16

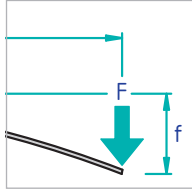


Page 16|17

TECHNICAL DATA/PROFILE MACHINING



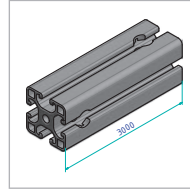
Page 1|2
Tolerances



Page 1|3
Calculations



Page 1|5
Profile machining

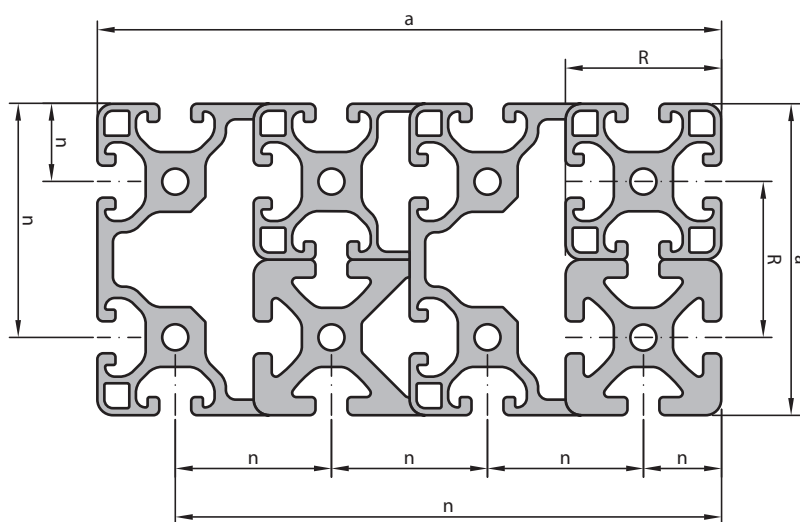


Page 1|8
Ordering of ma-
chined profiles

EN AW – 6063:	Material number pursuant to DIN EN 573
Rm:	245 N/mm ² (minimum tensile strength)
Rp 0.2:	195 N/mm ² (yield strength)
A5:	10% (elongation at break)
A10:	8% (elongation at break)
E:	approx. 70,000 N/mm ² (modulus of elasticity)

HB:	approx. 75 (Brinell hardness)
a:	23.4 × 10 ⁻⁶ 1/K (coefficient of linear expansion)
Tolerances:	DIN EN 12020-2
Eloxal:	E6EV1
Coating thickness:	10–15 µm

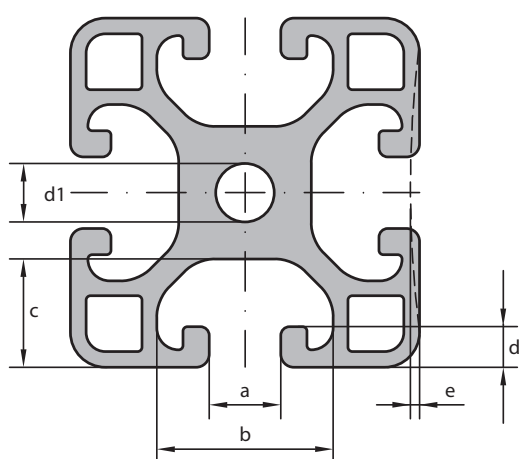
Tolerances:



Spacing R

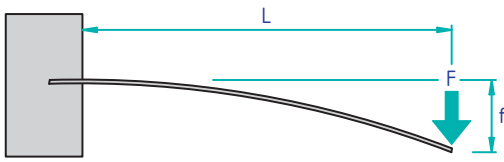
5	R: 20 mm
6	R: 30 mm
8	R: 40 mm

Length of profile edge a [mm]	0–10	10–20	20–40	40–60	60–80	80–100	100–120	120–160
Tolerances								
Outer dimension a or slot position n ± [mm]	±0.1	±0.15	±0.2	±0.3	±0.4	±0.45	±0.5	±0.6



Spacing R	a	b	c	d	e	d1
5	5.0 +0.3/-0	11.5 +0.3/-0	6.35 ±0.15	1.8 ±0.15	0.15 ±0.1	4.3 ±0.1
6	6.2 +0.3/-0	16.3 +0.3/-0	9.75 +0.2/-0	3.0 +0/-0.25	0.15 ±0.1	5.0 +0.2/-0
8	8.0 +0.4/-0	20.0 +0.4/-0	12.25 +0.3/-0	4.5 +0.3/-0	0.2 ±0.1	6.8 +0/-0.2

Bending/calculation



$$f = \frac{F \times L^3}{3E \times I \times 10^4}$$

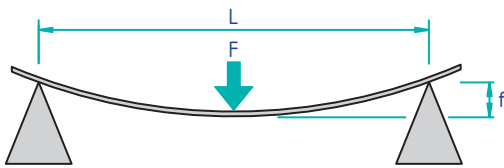
Profile bending caused by force F

$$f = \frac{m^* \times g \times L^4}{8E \times I \times 10^4}$$

Profile bending caused by the profile's own weight

$$\delta = \frac{(m^* \times g \times L + F) \times L}{W \times 10^3}$$

Control of bending stress



$$f = \frac{F \times L^3}{48 \times E \times I \times 10^4}$$

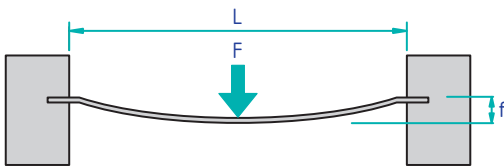
Profile bending caused by force F

$$f = \frac{5 \times m^* \times g \times L^4}{384E \times I \times 10^4}$$

Profile bending caused by the profile's own weight

$$\delta = \frac{(m^* \times g \times L + F) \times L}{4W \times 10^3}$$

Control of bending stress



$$f = \frac{F \times L^3}{192E \times I \times 10^4}$$

Profile bending caused by force F

$$f = \frac{m^* \times g \times L^4}{384E \times I \times 10^4}$$

Profile bending caused by the profile's own weight

$$\delta = \frac{(m^* \times g \times L + F) \times L}{8W \times 10^3}$$

Control of bending stress

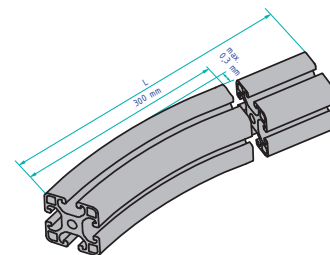
- f = bending (mm)
- F = force (N)
- L = profile length (mm)
- E = modulus of elasticity (70,000 N/mm²)
- g = fall velocity (9.81 m/s²)

- Material properties (Page 1|2)**
Aluminium profile details (Page 2|2 and following)
 m^{*}=mass (kg/mm); m^{*}=m:1000
 I= moment of inertia (cm⁴)
 W= section modulus (cm³)

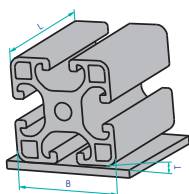
Straightness tolerance

A length of 300 mm deviates from a straight line by not more than 0.3 mm.
Straightness deviation across reference length:

0...1000 mm	0.7 mm
1000–2000 mm	1.3 mm
2000-3000 mm	1.8 mm
3000-4000 mm	2.2 mm
4000-5000 mm	2.6 mm
5000-6000 mm	3.0 mm



Torsional tolerance



TORSIONAL TOLERANCE T ACROSS NOMINAL REFERENCE LENGTH L:						
Width B:	0-1000 mm	1000–2000 mm	2000-3000 mm	3000-4000 mm	4000-5000 mm	5000-6000 mm
0-75 mm	1.00	1.20	1.50	1.80	2.00	2.50
75-100 mm	1.00	1.20	1.50	2.00	2.20	2.50
100-125 mm	1.00	1.50	1.80	2.20	2.50	3.00
125-150 mm	1.20	1.50	1.80	2.20	2.50	3.00
150-200 mm	1.50	1.80	2.20	2.60	3.00	3.50
200-350 mm	1.80	2.50	3.00	3.50	4.00	4.50

Load capacity of profile slot

Tensile stress

Static stress limit of slot (when deformation sets in) if connectors with largest thread are used:

Slot	Profile	Hammer head screw	Hammer head nut	Pivoting slot nut	Heavy slot nut
5	I5 2020			1,000 N	
6	I6 3030			3,500 N	
	I6 3030L			1,000 N	
8	I8 4040	10,000 N	10,000 N		15,000 N
	I8 4040L	5,000 N	5,000 N		7,000 N
	I8 4040E	4,000 N	4,000 N		6,000 N

The above stress limits have been determined on samples subjected to pull-out tests.
Safety factors have not been taken into account.
Separately consider statutory regulations and the relevant codes of practice.

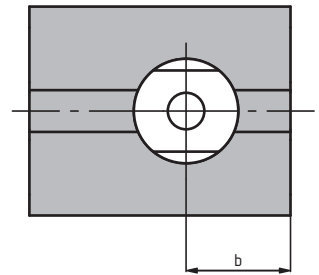
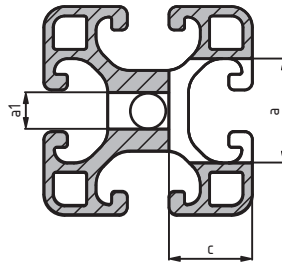
Machining of universal butt connectors and universal connectors – slot 5 / slot 6 / slot 8

Note: Consider the number of slots.



1

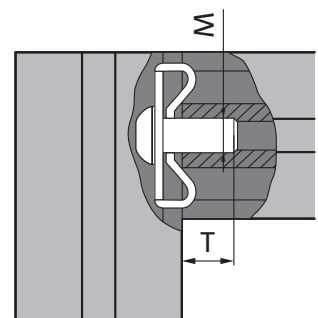
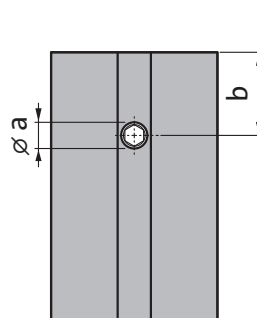
Profile	20 × 20	30 × 30	40 × 40
	5	6	8
Drill hole (a)	∅ 12 mm	∅ 16 mm	∅ 20 mm
Drill hole (a1)	∅ 4.3 mm	∅ 5.5 mm	∅ 7 mm
Distance (b)	10 mm	15 mm	20 mm
Depth (c)	8.5 mm	12.7 mm	16 mm



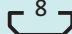
Machining of screw connectors – slot 5 / slot 6 / slot 8

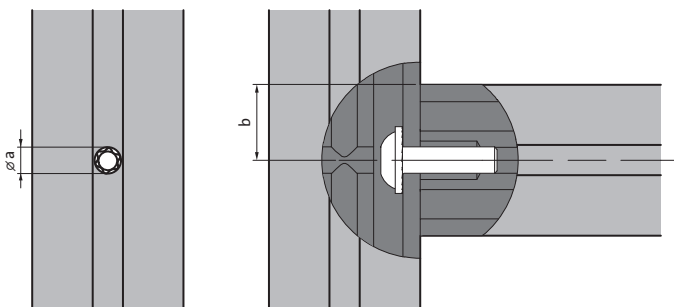


Profile	20 × 20	30 × 30	40 × 40
	5	6	8
Drill hole (a)	∅ 4.3 mm	∅ 5.5 mm	∅ 7 mm
Distance (b)	10 mm	15 mm	20 mm
Distance (b) (to make a flush mount of a profile with cover cap)	7.5 mm	12 mm	16 mm
Thread (M)	M5	M6	M8
Depth of thread (T)	12 mm	15 mm	18 mm

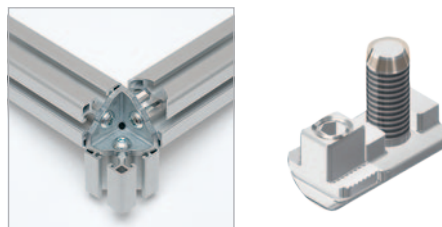


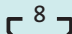
Machining of centre bolts – slot 8

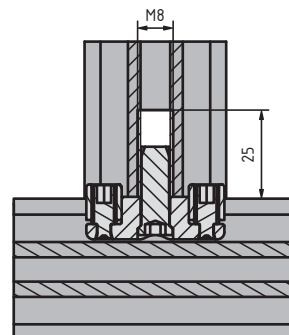
Profile	40 × 40 
Drill hole (a)	∅ 7 mm
Distance (b)	20 mm
Distance (b) (to make a flush mount of a profile with cover cap)	16 mm



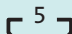
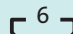
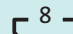
Machining of ZIG-A mega connectors – slot 8

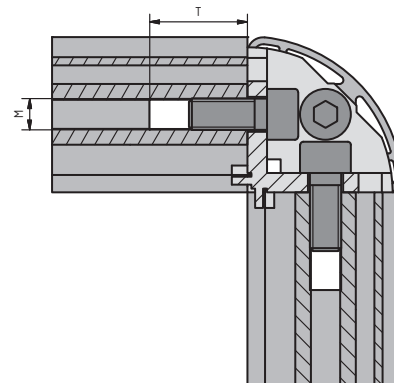


Profile	40 × 40L + E 
Thread	M8

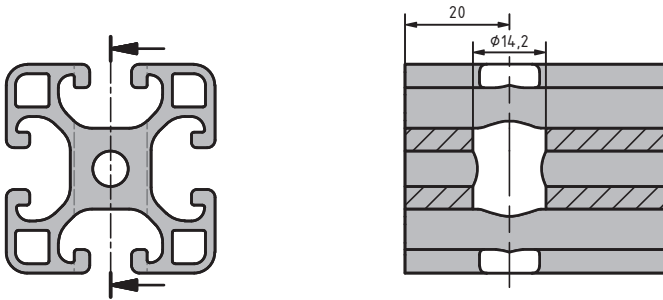


Machining of corner angles

Profile	20 × 20 	30 × 30 	40 × 40 
Thread (M)	M5	M6	M8
Depth (T)	25 mm	25 mm	25 mm



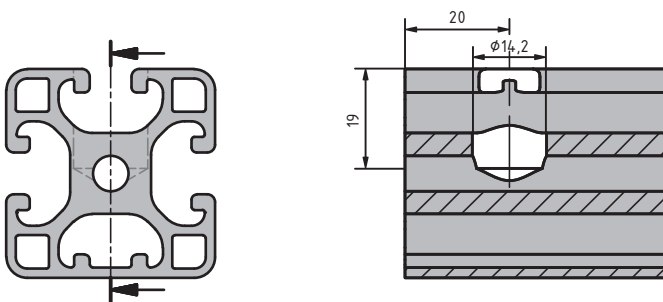
Machining of bolts



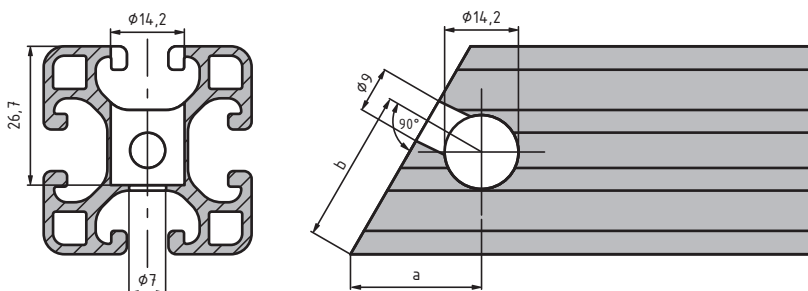
Machining of bolts 18:

D14.2 T19:

Type: 282311802 (for closed slots)



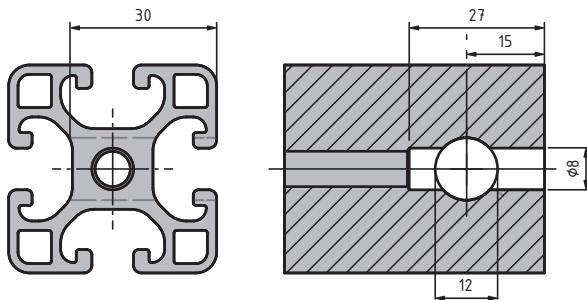
Machining of mitre connector set



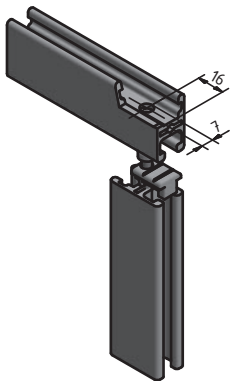
$$a = \frac{12 + 20 \cos \chi}{\sin \chi}$$

$$b = \frac{20 + 12 \cos \chi}{\sin \chi}$$

Machining for use of central clamps



Machining of clamping profile connector set 8 32 × 18



Ordering machined profiles

Our profiles are available as packaging units, bars or face-cut to length without burrs or check our on-site profile machining options.

Choose one of the order codes to specify how you wish the beginning and/or end of the profile to be machined.

That is to say: First of all enter the profile pattern and the target length, then specify the slot designation (A, B, C, D etc.) to say where you wish the profile to be machined. The last step is to choose the machining option that best meets the requirements of your pattern (depending on how the profiles are connected). You may of course combine several machining methods at the beginning and/or end of the profile.

The easy, fast and cost-effective way of ordering your ready-made profile.

Your benefit:

- no bad cuts you have to pay for but cannot use
- requests and ordering made easy without cumbersome drafting

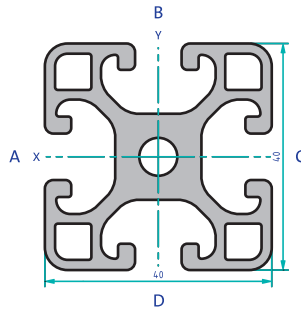
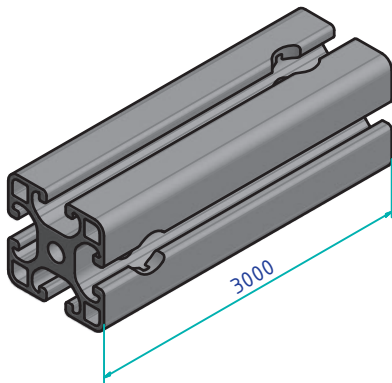
If you prefer, you may of course keep adding a drawing to your request/order, particularly when it comes to special machining methods this system is unable to show.

ORDER CODES

Material number (bar) Length (mm) Slot designation (chapter 1) = machined beginning of aluminium profile / machine end of aluminium profile

Example

Aluminium profile 40 × 40L art. 3000 mm B = - / D = 14.2
no: 281 404911 C = 14.2 / -



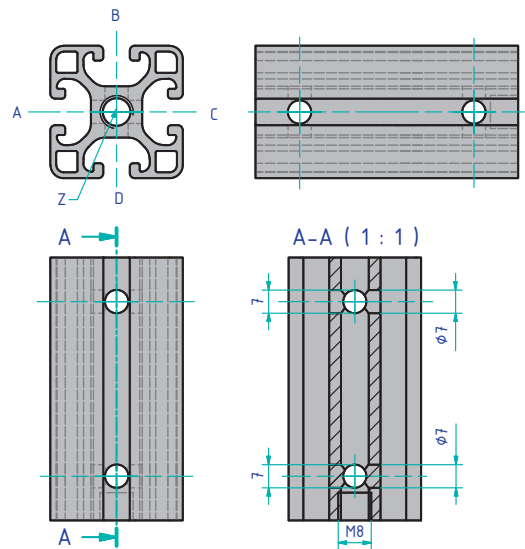
Refer to Page 2|2 and following to find the slot designations of each of the profile sizes (please check every profile separately).

ORDER CODES

Material number (bar) Length (mm) Beginning of profile / End of profile

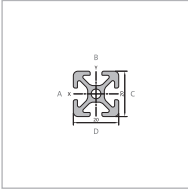
Example

Aluminium profile 40 × 40L 4000 mm A = D7 / D7
art. no: 281 404911 B = D7 / D7
Z = M8 / -

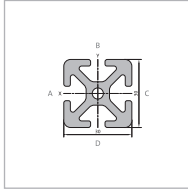


Refer to Page 1|5 and following for detailed connector machining drawings

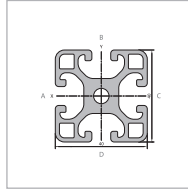
PROFILES



Page 2|2
20-series alu-
minium profiles,
slot 5



Page 2|5
30-series alu-
minium profiles,
slot 6



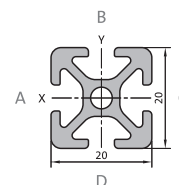
Page 2|10
40-series alu-
minium profiles,
slot 8

Slot 5

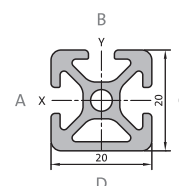
The slot 5 profiles are designed for any kind of construction with optimised weight. Their small outer dimensions particularly fit compact equipment with minor design space requirements, covers and handling mechanisms. And yet they retain all of the kit's functions.

Aluminium profile 20 × 20

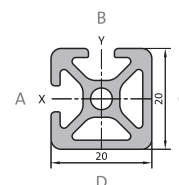
Article number	251202000 (16 bars, 3000 mm each) 251202901 /... max. 3000 mm...
Profile	20 × 20
Slot	5 mm
Mass	0.49 kg/m
Moment of inertia	$I = 0.74 \text{ cm}^4$
Section modulus	$W = 0.74 \text{ cm}^3$
Profile surface	$A = 1.82 \text{ cm}^2$


Aluminium profile 20 × 20 1N

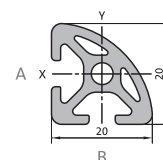
Article number	251202010 (16 bars, 3000 mm each) 251202911 /... max. 3000 mm
Profile	20 × 20 1N
Slot	5 mm
Mass	0.52 kg/m
Moment of inertia	$I_x = 0.82 \text{ cm}^4$ $I_y = 0.75 \text{ cm}^4$
Section modulus	$W_x = 0.78 \text{ cm}^3$ $W_y = 0.75 \text{ cm}^3$
Profile surface	$A = 1.92 \text{ cm}^2$


Aluminium profile 20 × 20 2N90

Article number	251202020 (16 bars, 3000 mm each) 251202921 /... max. 3000 mm
Profile	20 × 20 2N90
Slot	5 mm
Mass	0.53 kg/m
Moment of inertia	$I = 0.82 \text{ cm}^4$
Section modulus	$W = 0.79 \text{ cm}^3$
Profile surface	$A = 2.01 \text{ cm}^2$


Aluminium profile R20 90°

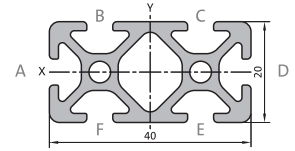
Article number	251202090 (8 bars, 3000 mm each) 251202991 /... max. 3000 mm
Profile	R20 90°
Slot	5 mm
Mass	0.47 kg/m
Moment of inertia	$I = 0.58 \text{ cm}^4$
Section modulus	$W = 0.54 \text{ cm}^3$
Profile surface	$A = 1.72 \text{ cm}^2$



Slot 5

Aluminium profile 40 × 20

Article number	251402000 (16 bars, 3000 mm each) 251402901 /... max. 3000 mm
Profile	40 × 20
Slot	5 mm
Mass	0.89 kg/m
Moment of inertia	$I_x = 1.40 \text{ cm}^4$ $I_y = 5.12 \text{ cm}^4$
Section modulus	$W_x = 1.40 \text{ cm}^3$ $W_y = 2.56 \text{ cm}^3$
Profile surface	$A = 3.29 \text{ cm}^2$

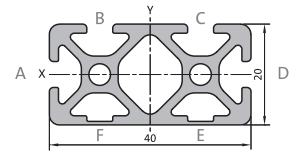


2

Aluminium profile 40 × 20 2N

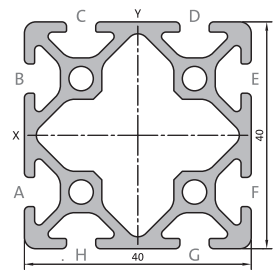
new

Article number	251402010 (8 bars, 3000 mm each) 251402911 /... max. 3000 mm
Profile	40 × 20 2N
Slot	5 mm
Mass	0.91 kg/m
Moment of inertia	$I_x = 1.47 \text{ cm}^4$ $I_y = 5.19 \text{ cm}^4$
Section modulus	$W_x = 1.44 \text{ cm}^3$ $W_y = 2.59 \text{ cm}^3$
Profile surface	$A = 3.36 \text{ cm}^2$



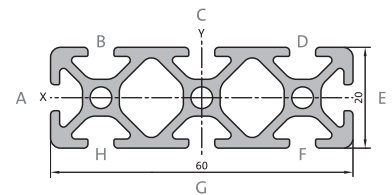
Aluminium profile 40 × 40

Article number	251404000 (8 bars, 6000 mm each) 251404901 /... max. 6000 mm
Profile	40 × 40
Slot	5 mm
Mass	1.38 kg/m
Moment of inertia	$I = 9.24 \text{ cm}^4$
Section modulus	$W = 4.62 \text{ cm}^3$
Profile surface	$A = 5.10 \text{ cm}^2$



Aluminium profile 60 × 20

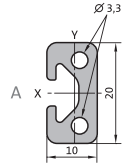
Article number	251602000 (5 bars, 3000 mm each) 251602901 /... max. 3000 mm
Profile	60 × 20
Slot	5 mm
Mass	1.28 kg/m
Moment of inertia	$I_x = 2.07 \text{ cm}^4$ $I_y = 16.07 \text{ cm}^4$
Section modulus	$W_x = 2.07 \text{ cm}^3$ $W_y = 5.36 \text{ cm}^3$
Profile surface	$A = 4.76 \text{ cm}^2$



Slot 5

Aluminium profile 20 × 10

Article number	251201000 (16 bars, 3000 mm each) 251201901 /... max. 3000 mm
Profile	20 × 10
Slot	5 mm
Mass	0.35 kg/m
Moment of inertia	$I_x = 0.12 \text{ cm}^4$ $I_y = 0.53 \text{ cm}^4$
Section modulus	$W_x = 0.22 \text{ cm}^3$ $W_y = 0.53 \text{ cm}^3$
Profile surface	$A = 1.29 \text{ cm}^2$



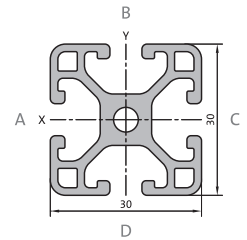
Slot 6

The slot 6 profiles are designed for any kind of construction with optimised weight. This series lets you adapt the material usage to the task at hand.

Use the profiles with closed slots for constructions with strict appearance and cleanliness requirements.

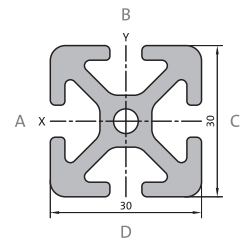
Aluminium profile 30 × 30L

Article number	261303000 (16 bars, 6000 mm each) 261303901 /... max. 6000 mm.
Profile	30 × 30L
Slot	6 mm
Mass	0.90 kg/m
Moment of inertia	$I = 2.88 \text{ cm}^4$
Section modulus	$W = 1.92 \text{ cm}^3$
Profile surface	$A = 3.34 \text{ cm}^2$



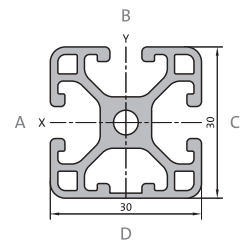
Aluminium profile 30 × 30

Article number	261303050 (16 bars, 6000 mm each) 261303951 /... max. 6000 mm
Profile	30 × 30
Slot	6 mm
Mass	1.24 kg/m
Moment of inertia	$I = 4.13 \text{ cm}^4$
Section modulus	$W = 2.75 \text{ cm}^3$
Profile surface	$A = 4.60 \text{ cm}^2$



Aluminium profile 30 × 30L 1N

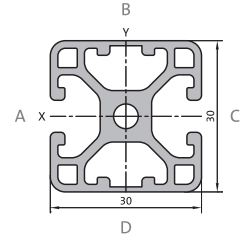
Article number	261303010 (8 bars, 6000 mm each) 261303911 /... max. 6000 mm
Profile	30 × 30L 1N
Slot	6 mm
Mass	0.92 kg/m
Moment of inertia	$I_x = 3.02 \text{ cm}^4$ $I_y = 2.88 \text{ cm}^4$
Section modulus	$W_x = 1.98 \text{ cm}^3$ $W_y = 1.92 \text{ cm}^3$
Profile surface	$A = 3.41 \text{ cm}^2$



Slot 6

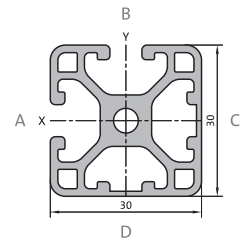
Aluminium profile 30 × 30L 2N180

Article number	261303030 (8 bars, 6000 mm each) 261303931 /... max. 6000 mm
Profile	30 × 30L 2N180
Slot	6 mm
Mass	0.94 kg/m
Moment of inertia	$I_x = 2.89 \text{ cm}^4$ $I_y = 3.17 \text{ cm}^4$
Section modulus	$W_x = 1.92 \text{ cm}^3$ $W_y = 2.11 \text{ cm}^3$
Profile surface	$A = 3.48 \text{ cm}^2$



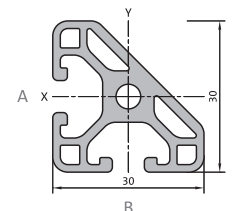
Aluminium profile 30 × 30L 2N90

Article number	261303020 (8 bars, 6000 mm each) 261303921 /... max. 6000 mm
Profile	30 × 30L 2N90
Slot	6 mm
Mass	0.94 kg/m
Moment of inertia	$I = 3.02 \text{ cm}^4$
Section modulus	$W = 1.98 \text{ cm}^3$
Profile surface	$A = 3.48 \text{ cm}^2$



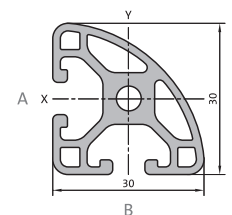
Aluminium profile 30 × 30L 45°

Article number	261303045 (8 bars, 3000 mm each) 261303945 /... max. 3000 mm
Profile	30 × 30L 45°
Slot	6 mm
Mass	0.82 kg/m
Moment of inertia	$I = 2.20 \text{ cm}^4$
Section modulus	$W = 1.32 \text{ cm}^3$
Profile surface	$A = 3.05 \text{ cm}^2$



Aluminium profile R30L 90°

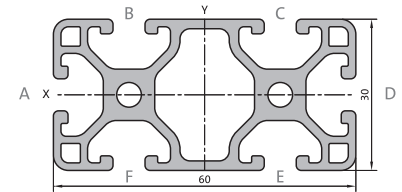
Article number	261300001 (8 bars, 3000 mm each) 261300901 /... max. 3000 mm
Profile	R30L 90°
Slot	6 mm
Mass	0.81 kg/m
Moment of inertia	$I = 2.14 \text{ cm}^4$
Section modulus	$W = 1.30 \text{ cm}^3$
Profile surface	$A = 2.99 \text{ cm}^2$



Slot 6

Aluminium profile 60 × 30L

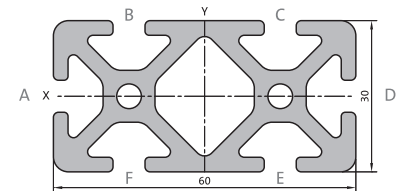
Article number	261603000 (8 bars, 6000 mm each) 261603901 /... max. 6000 mm
Profile	60 × 30l
Slot	6 mm
Mass	1.61 kg/m
Moment of inertia	$I_x = 5.47 \text{ cm}^4$ $I_y = 20.80 \text{ cm}^4$
Section modulus	$W_x = 3.65 \text{ cm}^3$ $W_y = 6.93 \text{ cm}^3$
Profile surface	$A = 5.94 \text{ cm}^2$



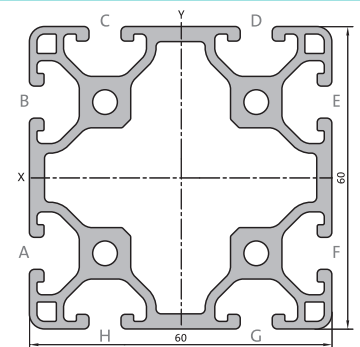
2

Aluminium profile 60 × 30

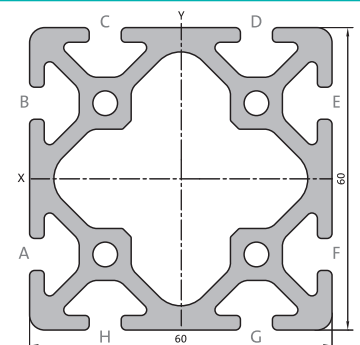
Article number	261603050 (8 bars, 6000 mm each) 261603951 /... max. 6000 mm
Profile	60 × 30
Slot	6 mm
Mass	2.24 kg/m
Moment of inertia	$I_x = 7.85 \text{ cm}^4$ $I_y = 28.90 \text{ cm}^4$
Section modulus	$W_x = 5.24 \text{ cm}^3$ $W_y = 9.63 \text{ cm}^3$
Profile surface	$A = 8.32 \text{ cm}^2$


Aluminium profile 60 × 60L

Article number	261606000 (4 bars, 6000 mm each) 261606901 /... max. 6000 mm
Profile	60 × 60L
Slot	6 mm
Mass	2.62 kg/m
Moment of inertia	$I = 38.69 \text{ cm}^4$
Section modulus	$W = 12.90 \text{ cm}^3$
Profile surface	$A = 9.71 \text{ cm}^2$


Aluminium profile 60 × 60

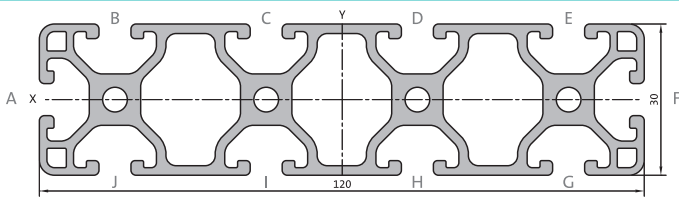
Article number	261606050 (4 bars, 6000 mm each) 261606951 /... max. 6000 mm
Profile	60 × 60
Slot	6 mm
Mass	3.54 kg/m
Moment of inertia	$I = 53.13 \text{ cm}^4$
Section modulus	$W = 17.71 \text{ cm}^3$
Profile surface	$A = 13.10 \text{ cm}^2$



Slot 6

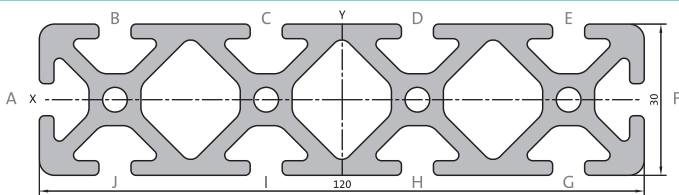
Aluminium profile 120 × 30L

Article number	261120310 (4 bars, 6000 mm each) 261120399 /... max. 6000 mm
Profile	120 × 30L
Slot	6 mm
Mass	3.06 kg/m
Moment of inertia	$I_x = 10.81 \text{ cm}^4$ $I_y = 149.85 \text{ cm}^4$
Section modulus	$W_x = 7.21 \text{ cm}^3$ $W_y = 24.97 \text{ cm}^3$
Profile surface	$A = 11.34 \text{ cm}^2$



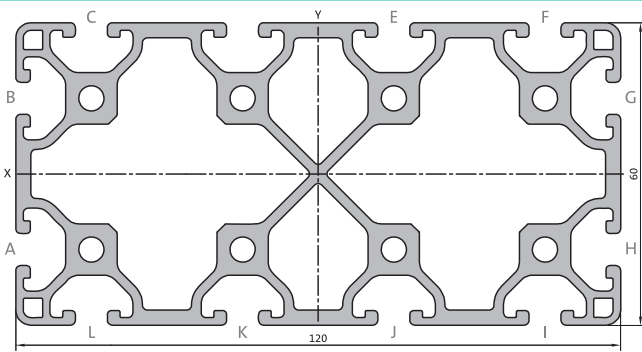
Aluminium profile 120 × 30

Article number	261120300 (4 bars, 6000 mm each) 261120901 /... max. 6000 mm
Profile	120 × 30
Slot	6 mm
Mass	4.26 kg/m
Moment of inertia	$I_x = 15.31 \text{ cm}^4$ $I_y = 207.28 \text{ cm}^4$
Section modulus	$W_x = 10.20 \text{ cm}^3$ $W_y = 34.55 \text{ cm}^3$
Profile surface	$A = 15.73 \text{ cm}^2$



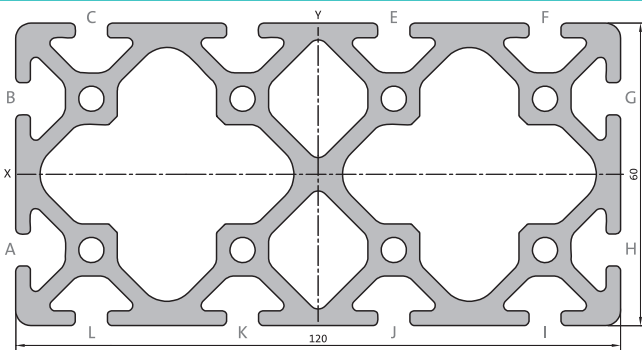
Aluminium profile 120 × 60L

Article number	261120600 (2 bars, 6000 mm each) 261120690 /... max. 6000 mm
Profile	120 × 60L
Slot	6 mm
Mass	4.88 kg/m
Moment of inertia	$I_x = 252.26 \text{ cm}^4$ $I_y = 74.95 \text{ cm}^4$
Section modulus	$W_x = 42.04 \text{ cm}^3$ $W_y = 24.98 \text{ cm}^3$
Profile surface	$A = 18.07 \text{ cm}^2$



Aluminium profile 120 × 60

Article number	261120601 (2 bars, 6000 mm each) 261120691 /... max. 6000 mm
Profile	120 × 60
Slot	6 mm
Mass	6.61 kg/m
Moment of inertia	$I_x = 342.00 \text{ cm}^4$ $I_y = 101.82 \text{ cm}^4$
Section modulus	$W_x = 57.00 \text{ cm}^3$ $W_y = 33.94 \text{ cm}^3$
Profile surface	$A = 24.47 \text{ cm}^2$



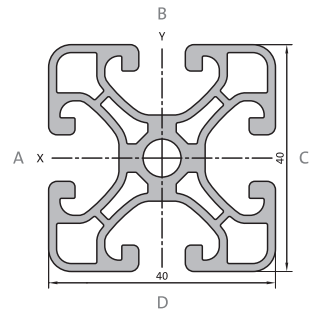
Slot 8

The slot 8 profiles are designed for any kind of construction. This series lets you adapt the material usage to the task at hand.

Use the profiles with closed slots for constructions with strict appearance and cleanliness requirements.

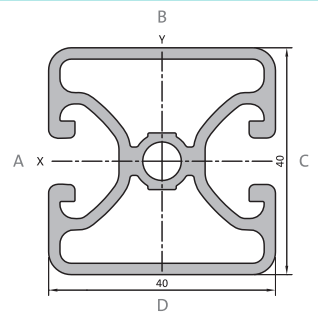
Aluminium profile 40 × 40E

Article number	281404000 (16 bars, 6000 mm each) 281404901 /... max. 6000 mm
Profile	40 × 40E
Slot	8 mm
Mass	1.48 kg/m
Moment of inertia	$I = 8.12 \text{ cm}^4$
Section modulus	$W = 4.06 \text{ cm}^3$
Profile surface	$A = 5.47 \text{ cm}^2$



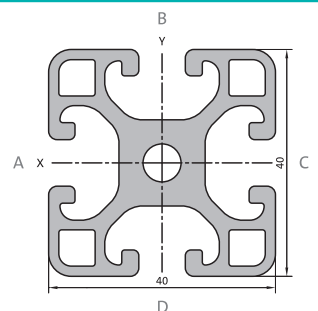
Aluminium profile 40 × 40E 2N180

Article number	281404120 (16 bars, 6000 mm each) 281404129 /... max. 6000 mm
Profile	40 × 40E 2N180
Slot	8 mm
Mass	1.344 kg/m
Moment of inertia	$I_x = 8.15 \text{ cm}^4$ $I_y = 8.77 \text{ cm}^4$
Section modulus	$W_x = 4.07 \text{ cm}^3$ $W_y = 4.38 \text{ cm}^3$
Profile surface	$A = 4.98 \text{ cm}^2$



Aluminium profile 40 × 40L

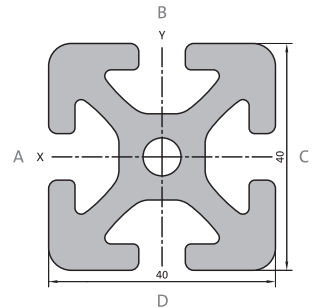
Article number	281404010 (16 bars, 6000 mm each) 281404911 /... max. 6000 mm
Profile	40 × 40L
Slot	8 mm
Mass	1.75 kg/m
Moment of inertia	$I = 9.18 \text{ cm}^4$
Section modulus	$W = 4.59 \text{ cm}^3$
Profile surface	$A = 6.48 \text{ cm}^2$



Slot 8

Aluminium profile 40 × 40

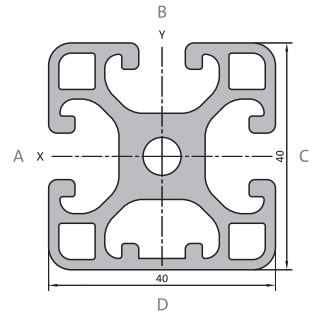
Article number	281404020 (16 bars, 6000 mm each) 281404921 /... max. 6000 mm
Profile	40 × 40
Slot	8 mm
Mass	2.47 kg/m
Moment of inertia	$I = 14.14 \text{ cm}^4$
Section modulus	$W = 7.07 \text{ cm}^3$
Profile surface	$A = 9.14 \text{ cm}^2$



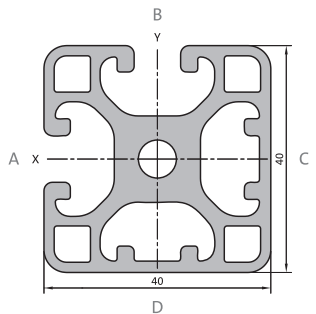
2

Aluminium profile 40 × 40L 1N

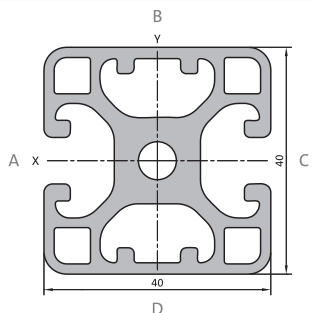
Article number	281404030 (16 bars, 6000 mm each) 281404931 /... max. 6000 mm
Profile	40 × 40L 1N
Slot	8 mm
Mass	1.80 kg/m
Moment of inertia	$I_x = 9.80 \text{ cm}^4$ $I_y = 9.19 \text{ cm}^4$
Section modulus	$W_x = 4.78 \text{ cm}^3$ $W_y = 4.60 \text{ cm}^3$
Profile surface	$A = 6.65 \text{ cm}^2$


Aluminium profile 40 × 40L 2N90

Article number	281404070 (16 bars, 6000 mm each) 281404971 /... max. 6000 mm
Profile	40 × 40L 2N90
Slot	8 mm
Mass	1.84 kg/m
Moment of inertia	$I = 9.81 \text{ cm}^4$
Section modulus	$W = 4.79 \text{ cm}^3$
Profile surface	$A = 6.83 \text{ cm}^2$


Aluminium profile 40 × 40L 2N180

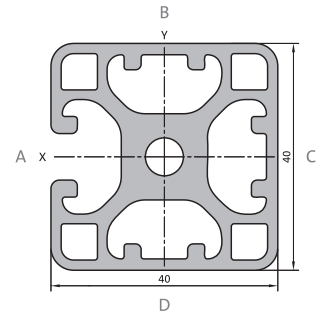
Article number	281404080 (16 bars, 6000 mm each) 281404981 /... max. 6000 mm
Profile	40 × 40L 2N180
Slot	8 mm
Mass	1.84 kg/m
Moment of inertia	$I_x = 9.20 \text{ cm}^4$ $I_y = 10.45 \text{ cm}^4$
Section modulus	$W_x = 4.60 \text{ cm}^3$; $W_y = 5.22 \text{ cm}^3$
Profile surface	$A = 6.83 \text{ cm}^2$



Slot 8

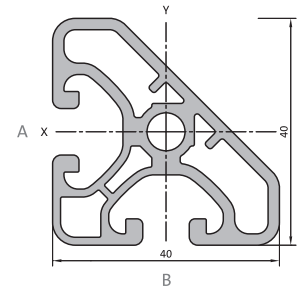
Aluminium profile 40 × 40L 3N

Article number	281404090 (8 bars, 6000 mm each) 281404991 /... max. 6000 mm
Profile	40 × 40L 3N
Slot	8 mm
Mass	1.89 kg/m
Moment of inertia	$I_x = 10.46 \text{ cm}^4$; $I_y = 9.82 \text{ cm}^4$
Section modulus	$W_x = 5.23 \text{ cm}^3$; $W_y = 4.80 \text{ cm}^3$
Profile surface	7.0 cm ²



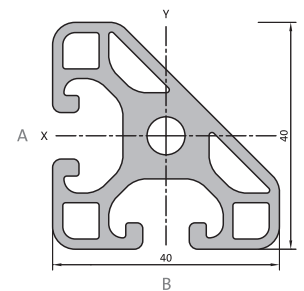
Aluminium profile 40 × 40E 45°

Article number	281404040 (8 bars, 6000 mm each) 281404941 /... max. 6000 mm
Profile	40 × 40E 45°
Slot	8 mm
Mass	1.23 kg/m
Moment of inertia	$I = 5.95 \text{ cm}^4$
Section modulus	$W = 2.60 \text{ cm}^3$
Profile surface	$A = 4.54 \text{ cm}^2$



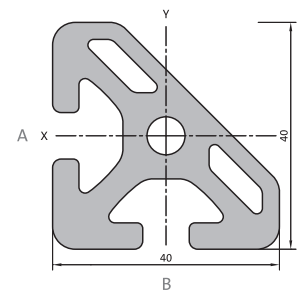
Aluminium profile 40 × 40L 45°

Article number	281404050 (8 bars, 6000 mm each) 281404951 /... max. 6000 mm
Profile	40 × 40L 45°
Slot	8 mm
Mass	1.50 kg/m
Moment of inertia	$I = 6.63 \text{ cm}^4$
Section modulus	$W = 2.95 \text{ cm}^3$
Profile surface	$A = 5.57 \text{ cm}^2$



Aluminium profile 40 × 40 45°

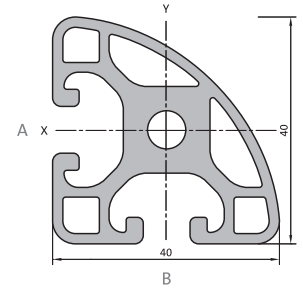
Article number	281404060 (8 bars, 6000 mm each) 281404961 /... max. length: 6000 mm
Profile	40 × 40 45°
Slot	8 mm
Mass	1.98 kg/m
Moment of inertia	$I = 9.51 \text{ cm}^4$
Section modulus	$W = 4.12 \text{ cm}^3$
Profile surface	$A = 7.33 \text{ cm}^2$



Slot 8

Aluminium profile R40L 90°

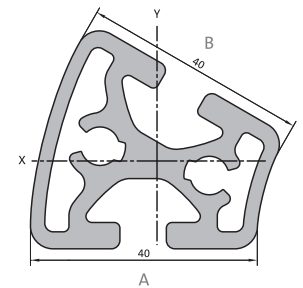
Article number	281400070 (8 bars, 6000 mm each) 281400971 /... max. 6000 mm
Profile	R40L 90°
Slot	8 mm
Mass	1.52 kg/m
Moment of inertia	$I = 6.63 \text{ cm}^4$
Section modulus	$W = 3.02 \text{ cm}^3$
Profile surface	$A = 5.64 \text{ cm}^2$



2

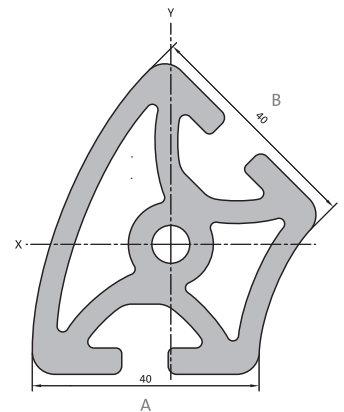
Aluminium profile R40/80-30°

Article number	281408030 (6 bars, 6000 mm each) 281408931 /... max. 6000 mm
Profile	R40/80-30°
Slot	8 mm
Mass	1.68 kg/m
Moment of inertia	$I_x = 6.56 \text{ cm}^4$ $I_y = 8.99 \text{ cm}^4$
Section modulus	$W_x = 2.91 \text{ cm}^3$ $W_y = 3.83 \text{ cm}^3$
Profile surface	$A = 6.22 \text{ cm}^2$



Aluminium profile R40/80-45°

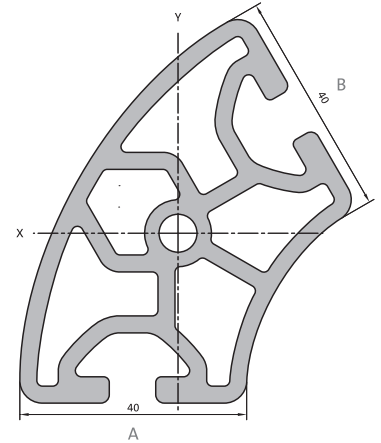
Article number	281408045 (6 bars, 6000 mm each) 281408941 /... max. 6000 mm
Profile	R40/80-45°
Slot	8 mm
Mass	2.77 kg/m
Moment of inertia	$I_x = 22.42 \text{ cm}^4$ $I_y = 16.68 \text{ cm}^4$
Section modulus	$W_x = 7.08 \text{ cm}^3$ $W_y = 6.38 \text{ cm}^3$
Profile surface	$A = 10.27 \text{ cm}^2$



Slot 8

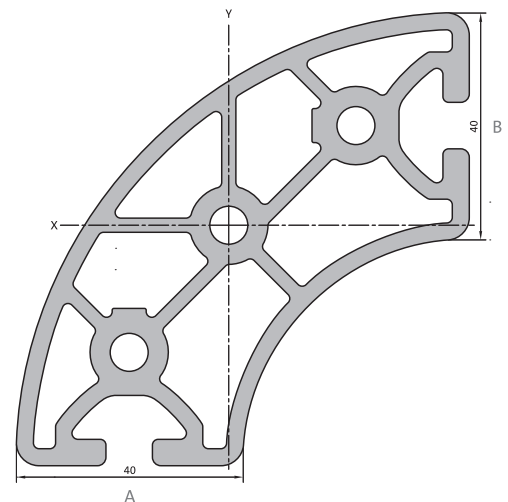
Aluminium profile R40/80-60°

Article number	281408060 (6 bars, 6000 mm each) 281408961 /... max. 6000 mm
Profile	R40/80-60°
Slot	8 mm
Mass	2.86 kg/m
Moment of inertia	$I_x = 35.44 \text{ cm}^4$ $I_y = 22.89 \text{ cm}^4$
Section modulus	$W_x = 9.33 \text{ cm}^3$ $W_y = 7.59 \text{ cm}^3$
Profile surface	$A = 10.60 \text{ cm}^2$



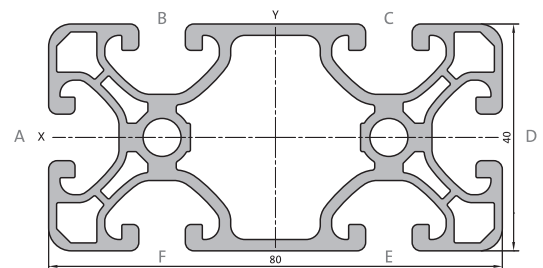
Aluminium profile R40/80-90°

Article number	281408090 (4 bars, 6000 mm each) 281408991 /... max. 6000 mm
Profile	R40/80-90°
Slot	8 mm
Mass	4.1 kg/m
Moment of inertia	$I = 76.85 \text{ cm}^4$
Section modulus	$W = 19.16 \text{ cm}^3$
Profile surface	$A = 15.14 \text{ cm}^2$



Aluminium profile 80 × 40E

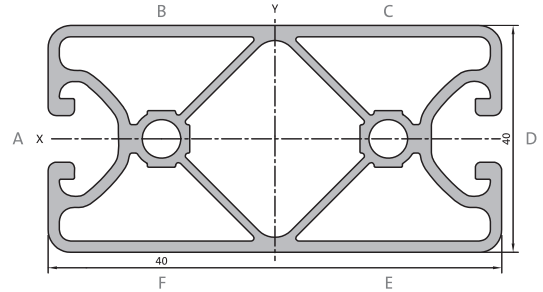
Article number	281804000 (8 bars, 6000 mm each) 281804901 /... max. 6000 mm
Profile	80 × 40E
Slot	8 mm
Mass	2.48 kg/m
Moment of inertia	$I_x = 15.93 \text{ cm}^4$ $I_y = 60.20 \text{ cm}^4$
Section modulus	$W_x = 7.96 \text{ cm}^3$ $W_y = 15.05 \text{ cm}^3$
Profile surface	$A = 9.18 \text{ cm}^2$



Slot 8

Aluminium profile 80 × 40E 4N180

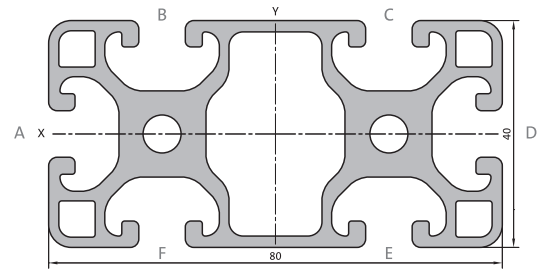
Article number	281804070 (8 bars, 6000 mm each) 281804971 /... max. 6000 mm
Profile	80 × 40E 4N180
Slot	8 mm
Mass	2.33 kg/m
Moment of inertia	$I_x = 56.96 \text{ cm}^4$ $I_y = 15.69 \text{ cm}^4$
Section modulus	$W_x = 14.24 \text{ cm}^3$ $W_y = 7.85 \text{ cm}^3$
Profile surface	$A = 8.26 \text{ cm}^2$



2

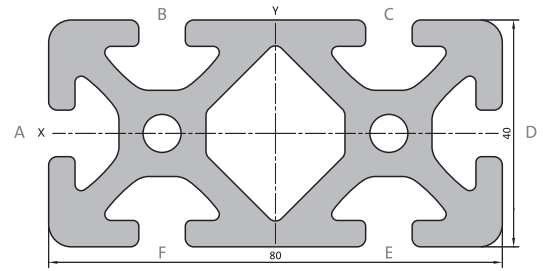
Aluminium profile 80 × 40L

Article number	281804010 (8 bars, 6000 mm each) 281804911 /... max. 6000 mm
Profile	80 × 40L
Slot	8 mm
Mass	3.05 kg/m
Moment of inertia	$I_x = 16.93 \text{ cm}^4$ $I_y = 70.07 \text{ cm}^4$
Section modulus	$W_x = 8.47 \text{ cm}^3$ $W_y = 17.52 \text{ cm}^3$
Profile surface	$A = 11.31 \text{ cm}^2$



Aluminium profile 80 × 40

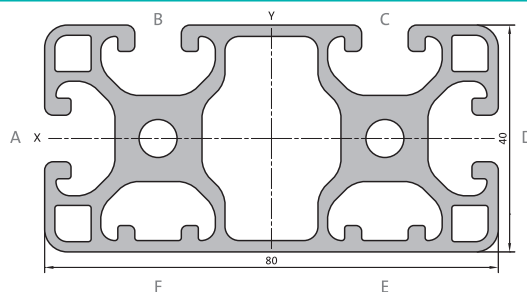
Article number	281804020 (8 bars, 6000 mm each) 281804921 /... max. 6000 mm
Profile	80 × 40
Slot	8 mm
Mass	4.52 kg/m
Moment of inertia	$I_x = 27.21 \text{ cm}^4$ $I_y = 101.41 \text{ cm}^4$
Section modulus	$W_x = 13.61 \text{ cm}^3$ $W_y = 25.35 \text{ cm}^3$
Profile surface	$A = 16.74 \text{ cm}^2$



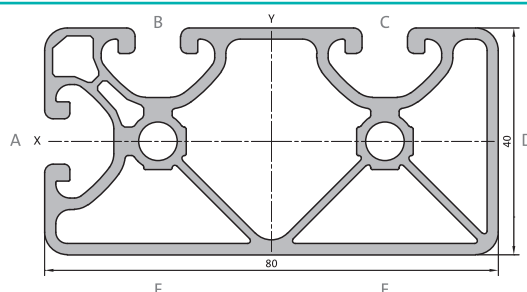
Slot 8

Aluminium profile 80 × 40L 2N

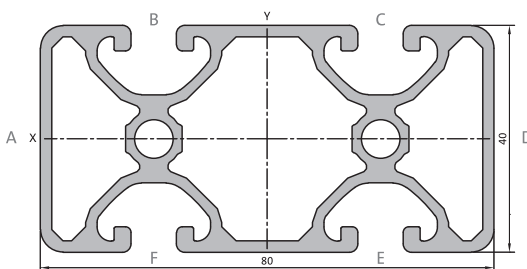
Article number	281804030 (8 bars, 6000 mm each) 281804931 /... max. 6000 mm
Profile	80 × 40L 2N
Slot	8 mm
Mass	3.15 kg/m
Moment of inertia	$I_x = 18.16 \text{ cm}^4$ $I_y = 71.49 \text{ cm}^4$
Section modulus	$W_x = 8.83 \text{ cm}^3$ $W_y = 17.87 \text{ cm}^3$
Profile surface	$A = 11.66 \text{ cm}^2$


Aluminium profile 80 × 40E 3N90

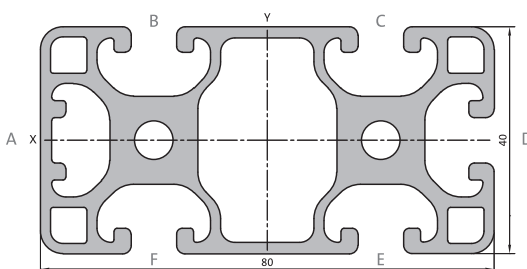
Article number	281804040 (8 bars, 6000 mm each) 281804941 /... max. 6000 mm
Profile	80 × 40E 3N90
Slot	8 mm
Mass	2.28 kg/m
Moment of inertia	$I_x = 15.97 \text{ cm}^4$ $I_y = 56.50 \text{ cm}^4$
Section modulus	$W_x = 7.83 \text{ cm}^3$ $W_y = 13.83 \text{ cm}^3$
Profile surface	$A = 8.46 \text{ cm}^2$


Aluminium profile 80 × 40E 2N180

Article number	281804050 (8 bars, 6000 mm each) 281804951 /... max. 6000 mm
Profile	80 × 40E 2N180
Slot	8 mm
Mass	2.28 kg/m
Moment of inertia	$I_x = 15.85 \text{ cm}^4$ $I_y = 54.51 \text{ cm}^4$
Section modulus	$W_x = 7.93 \text{ cm}^3$ $W_y = 13.63 \text{ cm}^3$
Profile surface	$A = 8.64 \text{ cm}^2$


Aluminium profile 80 × 40L 1N

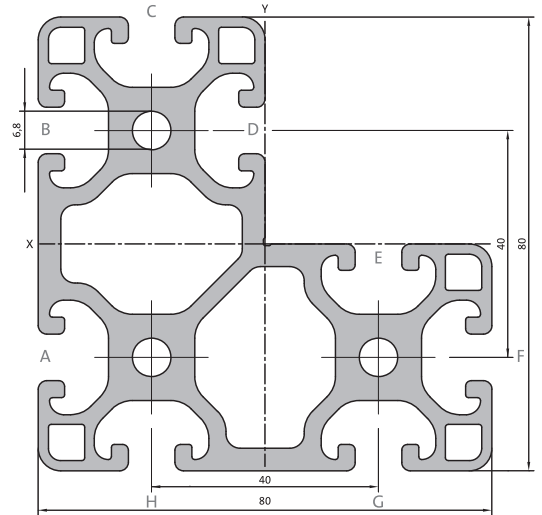
Article number	281804060 (8 bars, 6000 mm each) 281804961 /... max. 6000 mm
Profile	80 × 40L 1N
Slot	8 mm
Mass	3.10 kg/m
Moment of inertia	$I_x = 16.60 \text{ cm}^4$ $I_y = 69.54 \text{ cm}^4$
Section modulus	$W_x = 8.3 \text{ cm}^3$ $W_y = 17.38 \text{ cm}^3$
Profile surface	$A = 11.27 \text{ cm}^2$



Aluminium profile 40 × 80 × 80L

new

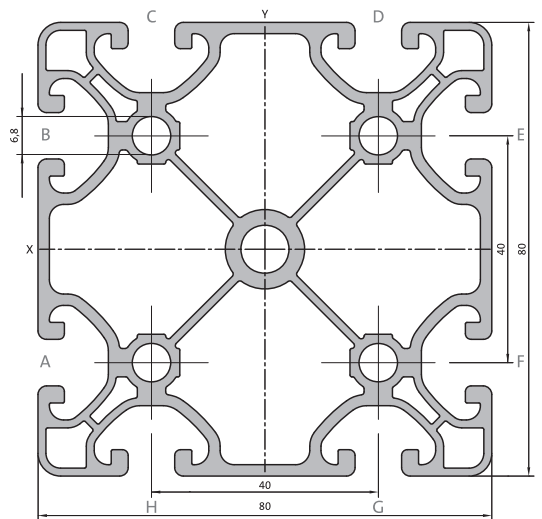
Article number	281808060 (4 bars, 6000 mm each) 281808961 /... max. 6000 mm
Profile	40 × 80 × 80L
Slot	8 mm
Mass	4.8 kg/m
Moment of inertia	$I_x = 96.07 \text{ cm}^4$ $I_y = 96.07 \text{ cm}^4$
Section modulus	$W_x = 20.70 \text{ cm}^3$ $W_y = 20.70 \text{ cm}^3$
Profile surface	$A = 17.80 \text{ cm}^2$



Aluminium profile 80 × 80E

new

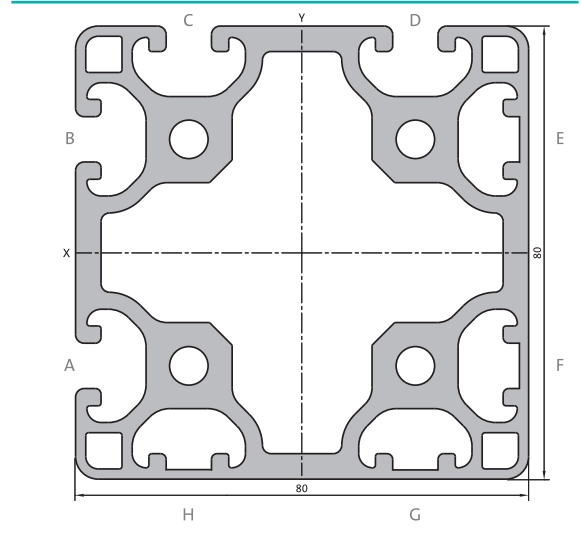
Article number	281808050 (4 bars, 6000 mm each) 281808951 /... max. 6000 mm
Profile	80 × 80E
Slot	8 mm
Mass	4.08 kg/m
Moment of inertia	$I_x = 103.31 \text{ cm}^4$ $I_y = 103.31 \text{ cm}^4$
Section modulus	$W_x = 25.82 \text{ cm}^3$ $W_y = 25.82 \text{ cm}^3$
Profile surface	$A = 15.11 \text{ cm}^2$



Slot 8

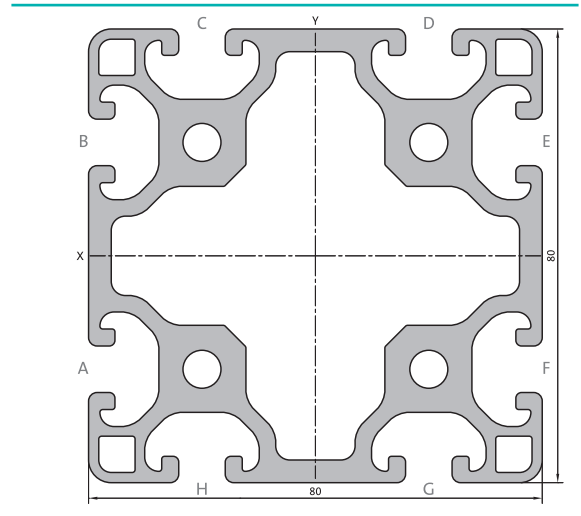
Aluminium profile 80 × 80L 4N90

Article number	281808030 (4 bars, 6000 mm each) 281808931 /... max. 6000 mm
Profile	80 × 80L 4N90
Slot	8 mm
Mass	5.52 kg/m
Moment of inertia	$I_x = 141.55 \text{ cm}^4$ $I_y = 141.55 \text{ cm}^4$
Section modulus	$W_x = 34.81 \text{ cm}^3$ $W_y = 34.81 \text{ cm}^3$
Profile surface	$A = 20.45 \text{ cm}^2$



Aluminium profile 80 × 80L

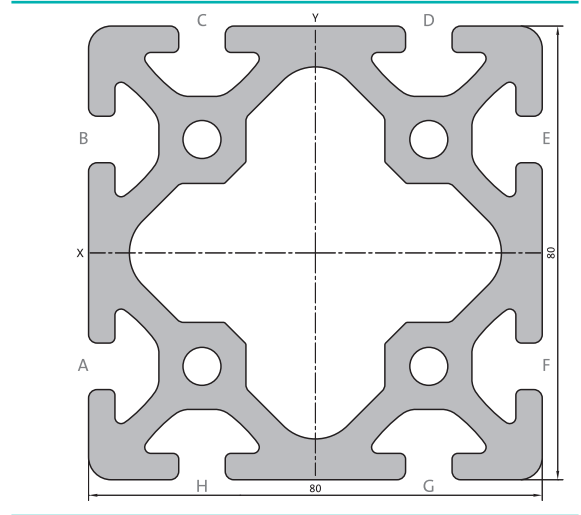
Article number	281808000 (4 bars, 6000 mm each) 281808901 /... max. 6000 mm
Profile	80 × 80L
Slot	8 mm
Mass	5.33 kg/m
Moment of inertia	$I = 134.90 \text{ cm}^4$
Section modulus	$W = 33.72 \text{ cm}^3$
Profile surface	$A = 19.75 \text{ cm}^2$



Slot 8

Aluminium profile 80 × 80

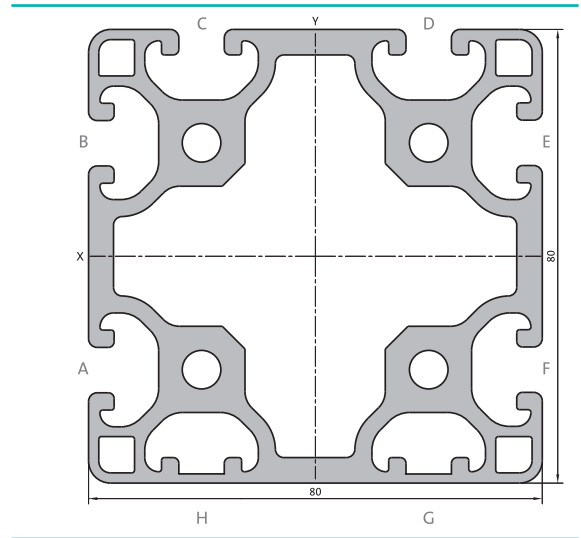
Article number	281808020 (4 bars, 6000 mm each) 281808921 /... max. 6000 mm
Profile	80 × 80
Slot	8 mm
Mass	7.17 kg/m
Moment of inertia	$I = 188.05 \text{ cm}^4$
Section modulus	$W = 47.01 \text{ cm}^3$
Profile surface	$A = 26.57 \text{ cm}^2$



2

Aluminium profile 80 × 80L 2N

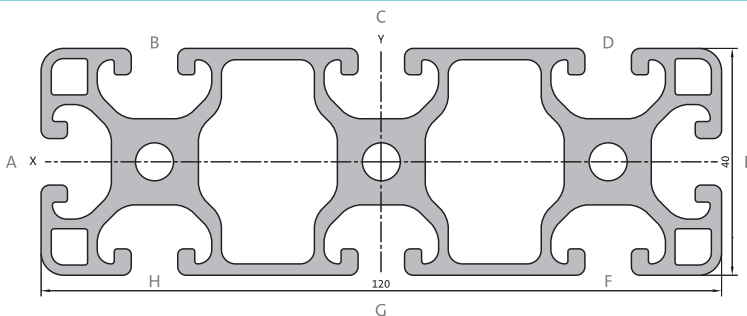
Article number	281808040 (4 bars, 6000 mm each) 281808941 /... max. 6000 mm
Profile	80 × 80L 2N
Slot	8 mm
Mass	5.427 kg/m
Moment of inertia	$I_x = 136.32 \text{ cm}^4$ $I_y = 140.13 \text{ cm}^4$
Section modulus	$W_x = 34.08 \text{ cm}^3$ $W_y = 34.45 \text{ cm}^3$
Profile surface	$A = 20.1 \text{ cm}^2$



Slot 8

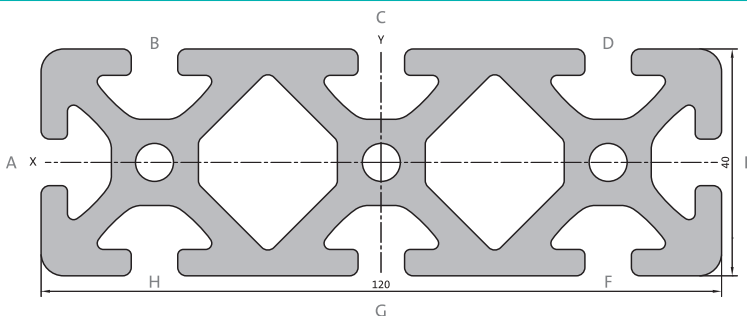
Aluminium profile 120 × 40L

Article number	281120400 (5 bars, 6000 mm each) 281120901 /... max. 6000 mm
Profile	120 × 40L
Slot	8 mm
Mass	4.36 kg/m
Moment of inertia	$I_x = 24.69 \text{ cm}^4$ $I_y = 221.43 \text{ cm}^4$
Section modulus	$W_x = 12.34 \text{ cm}^3$ $W_y = 39.91 \text{ cm}^3$
Profile surface	$A = 16.14 \text{ cm}^2$



Aluminium profile 120 × 40

Article number	281120410 (5 bars, 6000 mm each) 281120911 /... max. 6000 mm
Profile	120 × 40
Slot	8 mm
Mass	6.57 kg/m
Moment of inertia	$I_x = 40.28 \text{ cm}^4$ $I_y = 322.57 \text{ cm}^4$
Section modulus	$W_x = 20.14 \text{ cm}^3$ $W_y = 53.76 \text{ cm}^3$
Profile surface	$A = 24.33 \text{ cm}^2$

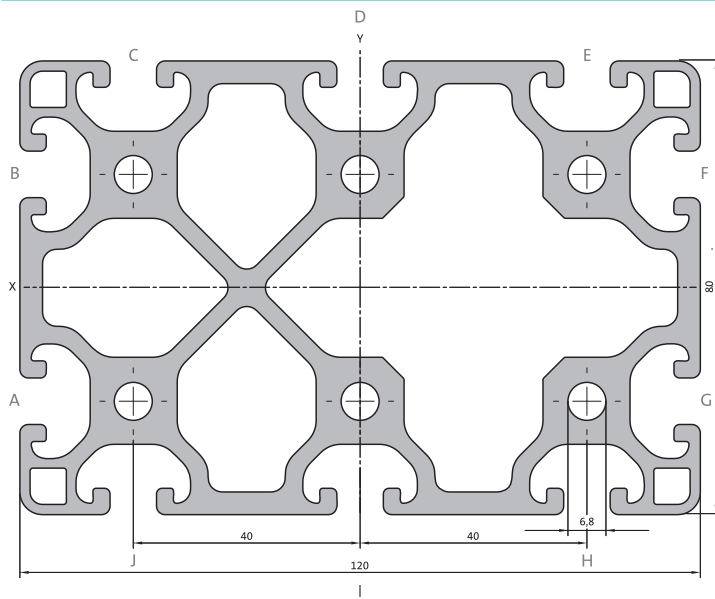


Slot 8

Aluminium profile 120 × 80L

Article number	281120800 (2 bars, 6000 mm each) 281120909 /... max. 6000 mm
Profile	120 × 80
Slot	8 mm
Mass	8.12 kg/m
Moment of inertia	$I_x = 202.75 \text{ cm}^4$ $I_y = 422.46 \text{ cm}^4$
Section modulus	$W_x = 50.69 \text{ cm}^3$ $W_y = 68.44 \text{ cm}^3$
Profile surface	$A = 30.08 \text{ cm}^2$

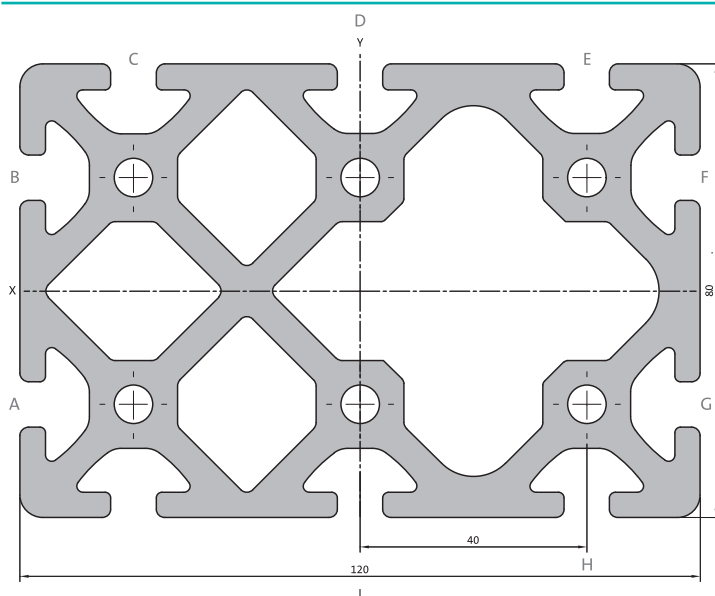
2



Slot 8

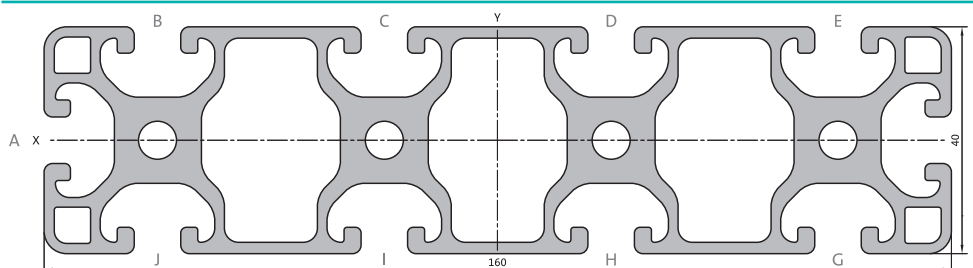
Aluminium profile 120 × 80

Article number	281120810 (2 bars, 6000 mm each) 281120919 /... max. 6000 mm
Profile	120 × 80
Slot	8 mm
Mass	10.81 kg/m
Moment of inertia	$I_x = 274.63 \text{ cm}^4$ $I_y = 574.22 \text{ cm}^4$
Section modulus	$W_x = 68.66 \text{ cm}^3$ $W_y = 92.99 \text{ cm}^3$
Profile surface	$A = 39.86 \text{ cm}^2$



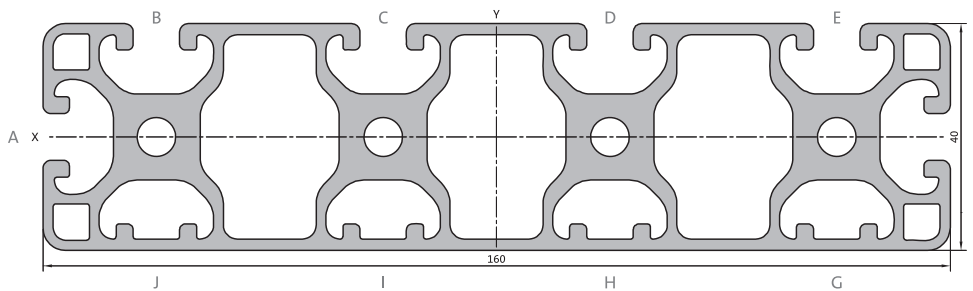
Aluminium profile 160 × 40L

Article number	281160400 (4 bars, 6000 mm each) 281160901 /... max. 6000 mm
Profile	160 × 40L
Slot	8 mm
Mass	5.67 kg/m
Moment of inertia	$I_x = 32.44 \text{ cm}^4$ $I_y = 501.91 \text{ cm}^4$
Section modulus	$W_x = 16.22 \text{ cm}^3$ $W_y = 62.74 \text{ cm}^3$
Profile surface	$A = 20.97 \text{ cm}^2$



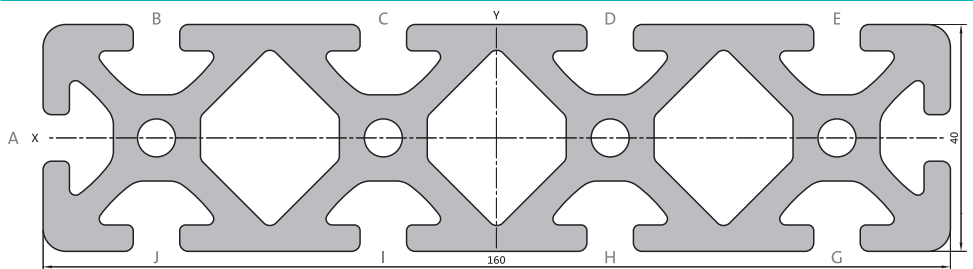
Aluminium profile 160 × 40L 4N

Article number	281160420 (4 bars, 6000 mm each) 281160941 /... max. 6000 mm
Profile	160 × 40L 4N
Slot	8 mm
Mass	5.85 kg/m
Moment of inertia	$I_x = 515.93 \text{ cm}^4$ $I_y = 34.89 \text{ cm}^4$
Section modulus	$W_x = 64.49 \text{ cm}^3$ $W_y = 16.93 \text{ cm}^3$
Profile surface	$A = 21.67 \text{ cm}^2$



Aluminium profile 160 × 40

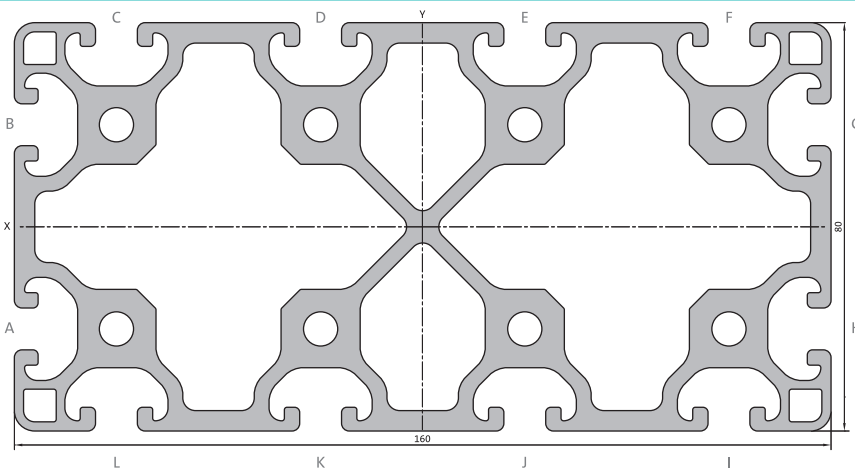
Article number	281160410 (4 bars, 6000 mm each) 281160911 /... max. 6000 mm
Profile	160 × 40
Slot	8 mm
Mass	8.62 kg/m
Moment of inertia	$I_x = 53.34 \text{ cm}^4$ $I_y = 738.38 \text{ cm}^4$
Section modulus	$W_x = 16.67 \text{ cm}^3$ $W_y = 92.30 \text{ cm}^3$
Profile surface	$A = 31.93 \text{ cm}^2$



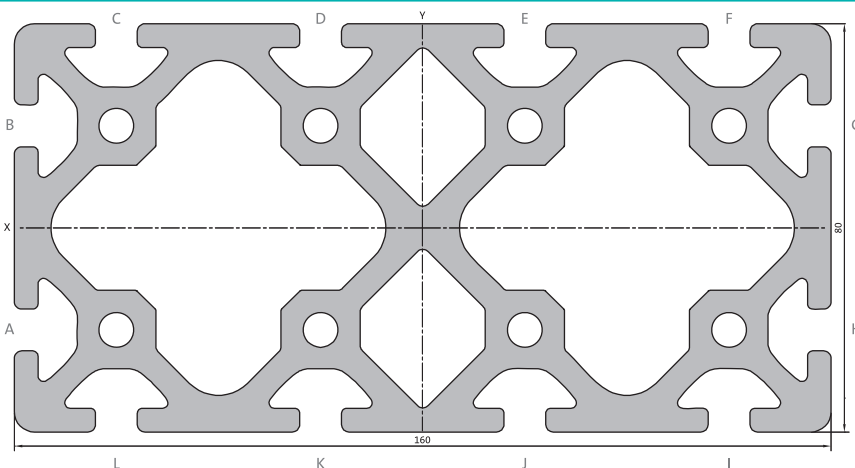
Slot 8

Aluminium profile 160 × 80L

Article number	281160800 (2 bars, 6000 mm each) 281160921 /... max. 6000 mm
Profile	160 × 80L
Slot	8 mm
Mass	10.06 kg/m
Moment of inertia	$I_x = 265.74 \text{ cm}^4$ $I_y = 902.06 \text{ cm}^4$
Section modulus	$W_x = 66.44 \text{ cm}^3$ $W_y = 112.76 \text{ cm}^3$
Profile surface	$A = 37.24 \text{ cm}^2$


Aluminium profile 160 × 80

Article number	281160810 (2 bars, 6000 mm each) 281160931 /... max. 6000 mm
Profile	160 × 80
Slot	8 mm
Mass	13.46 kg/m
Moment of inertia	$I_x = 1226.29 \text{ cm}^4$ $I_y = 362.27 \text{ cm}^4$
Section modulus	$W_x = 153.29 \text{ cm}^3$ $W_y = 90.57 \text{ cm}^3$
Profile surface	$A = 49.85 \text{ cm}^2$

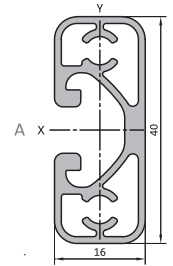


Slot 8

The slot 8, 40 × 16 and 40 × 16E profiles are intended for mounting elements such as valves or limit switches.

Aluminium profile 40 × 16E

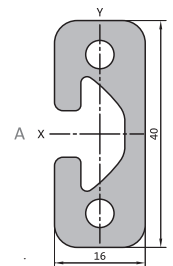
Article number	281401600 (10 bars, 3000 mm each) 281401901 /... max. 3000 mm
Profile	40 × 16
Slot	8 mm
Mass	0.66 kg/m
Moment of inertia	$I_x = 3.71 \text{ cm}^4$ $I_y = 0.69 \text{ cm}^4$
Section modulus	$W_x = 1.86 \text{ cm}^3$ $W_y = 0.84 \text{ cm}^3$
Profile surface	$A = 2.45 \text{ cm}^2$



2

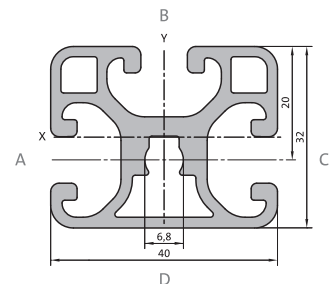
Aluminium profile 40 × 16

Article number	281401610 (10 bars, 3000 mm each) 281401911 /... max. 3000 mm
Profile	40 × 16
Slot	8 mm
Mass	1.16 kg/m
Moment of inertia	$I_x = 6.95 \text{ cm}^4$ $I_y = 1.09 \text{ cm}^4$
Section modulus	$W_x = 3.47 \text{ cm}^3$ $W_y = 1.27 \text{ cm}^3$
Profile surface	$A = 4.28 \text{ cm}^2$



Aluminium profile 40 × 32L

Article number	281403200 (10 bars, 6000 mm each) 281403299 /... max. 6000 mm
Profile	40 × 32L
Slot	8 mm
Mass	1.32 kg/m
Moment of inertia	$I_x = 5.0 \text{ cm}^4$ $I_y = 7.03 \text{ cm}^4$
Section modulus	$W_x = 3.10 \text{ cm}^3$ $W_y = 3.52 \text{ cm}^3$
Profile surface	$A = 4.90 \text{ cm}^2$

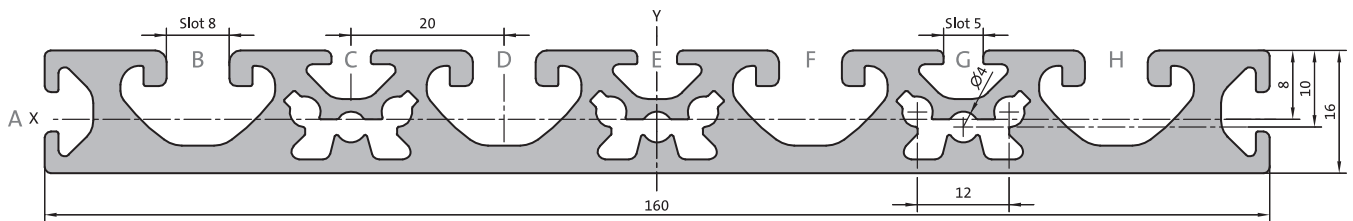


Slot 8

Aluminium profile 16 × 160

new

Article number	281161600 (5 bars, 6000 mm each) 281161699 /... max. 6000 mm
Profile	16 × 160
Slot	8 mm
Mass	3.07 kg/m
Moment of inertia	$I_x = 3.76 \text{ cm}^4$ $I_y = 304.40 \text{ cm}^4$
Section modulus	$W_x = 4.19 \text{ cm}^3$ $W_y = 38.05 \text{ cm}^3$
Profile surface	$A = 13.69 \text{ cm}^2$

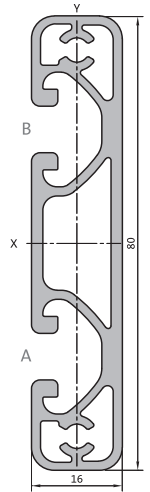


Slot 8

The slot 8, 80 × 16 and 80 × 16E profiles are intended for building guide rails of roller guides 8 D6 or D14.

Aluminium profile 80 × 16E

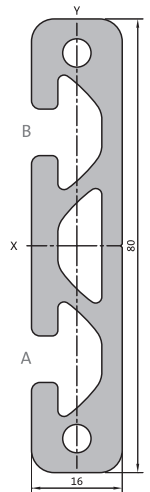
Article number	281801600 (10 bars, 3000 mm each) 281801901 /... max. 3000 mm
Profile	80 × 16E
Slot	8 mm
Mass	1.34 kg/m
Moment of inertia	$I_x = 31.32 \text{ cm}^4$ $I_y = 1.57 \text{ cm}^4$
Section modulus	$W_x = 7.83 \text{ cm}^3$ $W_y = 1.89 \text{ cm}^3$
Profile surface	$A = 4.98 \text{ cm}^2$



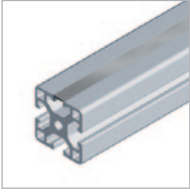
2

Aluminium profile 80 × 16

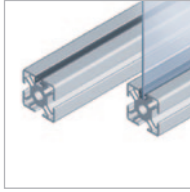
Article number	281801610 (10 bars, 3000 mm each) 281801911 /... max. 3000 mm
Profile	80 × 16
Slot	8 mm
Mass	2.16 kg/m
Moment of inertia	$I_x = 49.34 \text{ cm}^4$ $I_y = 2.20 \text{ cm}^4$
Section modulus	$W_x = 12.34 \text{ cm}^3$ $W_y = 2.62 \text{ cm}^3$
Profile surface	$A = 8.01 \text{ cm}^2$



PROFILE ACCESSORIES



Page 3|2
Cover profiles



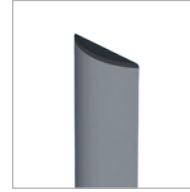
Page 3|3
Cover and lining
profile



Page 3|3
Cover and lining
profile 8 4-6 mm



Page 3|4
NBR cover profile



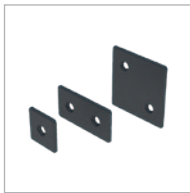
Page 3|4
R cover profile



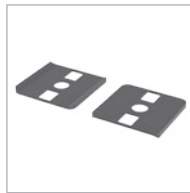
Page 3|5
Sectional strips



Page 3|6
Aluminium profile
caps



Page 3|7
Slot cap 8, zinc



Page 3|8
Radius seals

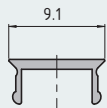
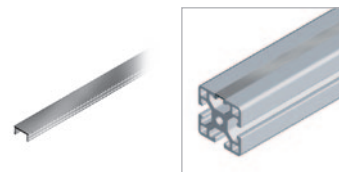
Cover profiles


For covering slots. Prevents the profile slot from becoming dirty.

Attractive colours make an attractive profile design.

Flush with profile surface. Cables are firmly buried in the slot.

Material: plastic (PP)



DESIGNATION	COLOUR	SLOT	LENGTH (mm)	ARTICLE NUMBER
Cover profile	black RAL9005	6	2000	261006021
Cover profile	stamped in aluminium colour	6	2000	261006020
Cover profile	light grey RAL7035	6	2000	261006023
Cover profile	natural	6	2000	261006022
Cover profile	black RAL9005	8	2000	281006002
Cover profile	black RAL9005 	8	2000	281006025 new
Cover profile	stamped in aluminium colour	8	2000	281006019
Cover profile	yellow RAL1018	8	2000	281006003
Cover profile	grey RAL7035	8	2000	281006017
Cover profile	natural	8	2000	281006004

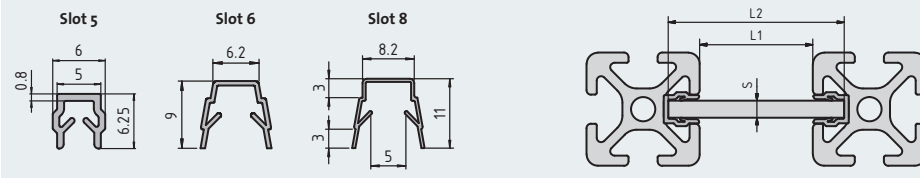
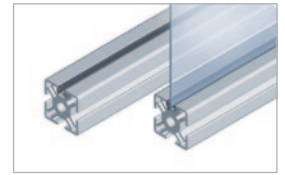
Cover and lining profiles

For covering slots and lining surface elements.

Clearance-free installation of surface elements up to 6 mm thick along the slot.

Cables are firmly buried in the slot.

Material: Plastic (PP & TPE)



DESIGNATION	SLOT	COLOUR	S (mm)	LENGTH (mm)	L2 (mm)	ARTICLE NUMBER
Cover and lining profile	5	black RAL9005	2-3	2000	L1 + 10	251006008
Cover and lining profile	5	black RAL9005	2-3	2000	L1 + 10	251006016
Cover and lining profile	5	natural	2-3	2000	L1 + 10	251006007
Cover and lining profile	6	black RAL9005	2-4	2000	L1 + 17.5	261006013
Cover and lining profile	6	black RAL9005	2-4	2000	L1 + 17.5	261006017
Cover and lining profile	6	light grey RAL7035	2-4	2000	L1 + 17.5	261006019 new
Cover and lining profile	6	natural	2-4	2000	L1 + 17.5	261006014
Cover and lining profile	8	black RAL9005	4-6	2000	L1 + 22.5	281006012
Cover and lining profile	8	black RAL9005	4-6	2000	L1 + 22.5	281006018
Cover and lining profile	8	light grey RAL7035	4-6	2000	L1 + 22.5	281006010
Cover and lining profile	8	natural	4-6	2000	L1 + 22.5	281006009
Cover and lining profile	8	traffic grey RAL7042	4-6	2000	L1 + 22.5	281006016
Cover and lining profile	8	signal blue RAL5005	4-6	2000	L1 + 22.5	281006014
Cover and lining profile	8	traffic red RAL3020	4-6	2000	L1 + 22.5	281006013
Cover and lining profile	8	white aluminium RAL9006	4-6	2000	L1 + 22.5	281006011
Cover and lining profile	8	zinc yellow RAL1018	4-6	2000	L1 + 22.5	281006015

Lining profiles 8 4–6 mm

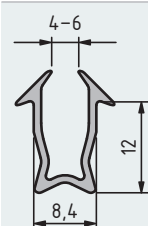
For all types of surface elements – including plastic and safety glass panes.

Prevents direct contact to the aluminium profile.

Absorbs vibrations and seals the slot.

Completely runs in the profile slot to border all sides of all panes 4 to 6 mm thick.

Material: TPE, black



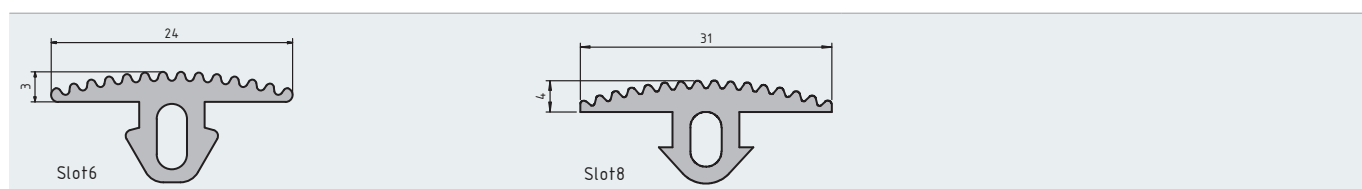
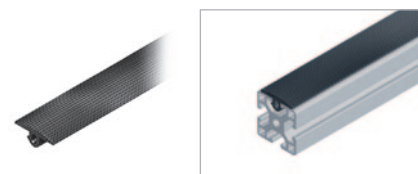
DESIGNATION	SLOT	LENGTH	ARTICLE NUMBER
Lining profile 4–6 mm	8	20,000 mm on a roll	281006024

NBR cover profiles

For covering aluminium profiles.

Use as a non-slip cover on steps, as a footrest, stopper for sliding doors etc. (supplied as coil – sold by metre, max. 20 metres)

Material: plastic (NBR)



DESIGNATION	SLOT	ARTICLE NUMBER
NBR cover profile	6	261006006
NBR cover profile	8	281006005

R cover profiles

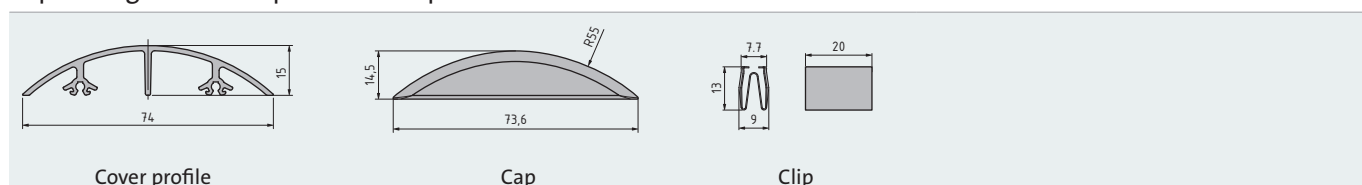
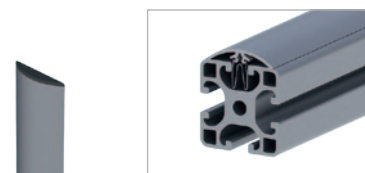
Shapely cover on profile side.

For optical and high-quality constructions.

The cover profile encloses the radius at the profile corner and produces a homogeneously round shape.

Use the clip to mount the cover profile in the profile slot.

Cap R integrates the cap of the base profile.

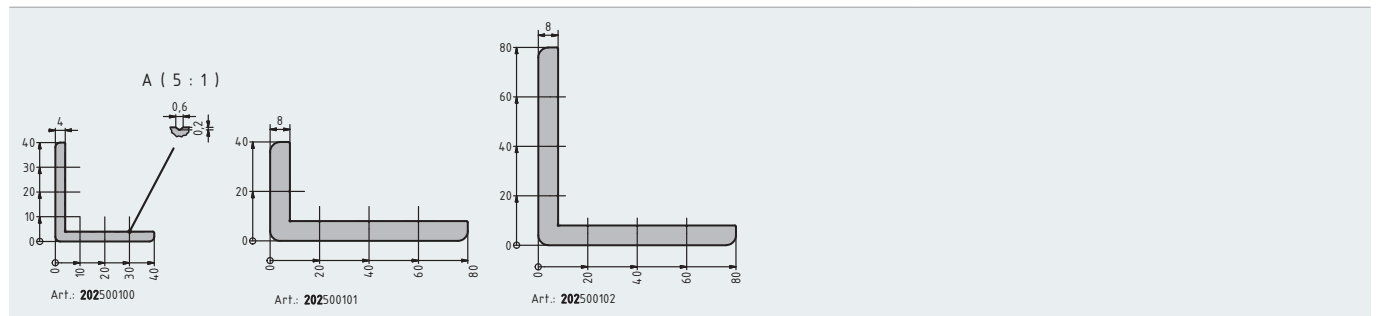


DESIGNATION	SLOT	LENGTH	MATERIAL	ARTICLE NUMBER
Cover profile 8 R80 Al	8	PE 10 × 4150 mm	Anodised aluminium	281006200
Cover profile 8 R80 Al	8	... max. 4150 mm	Anodised aluminium	281996200
Aluminium profile 8 R80	8		Black plastic	281006201
Spring steel clip	8		Spring steel	281006202

Profiles and sectional strip

Profiles protect edges or handle bars.
Use to line any type of surface element.

Material: Anodised aluminium

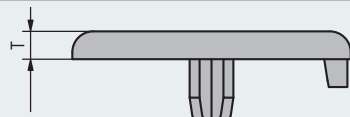
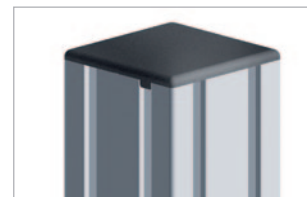


DESIGNATION	LENGTH	ARTICLE NUMBER
Profile M W40 × 40 × 4 E	2000 mm	202500100
Profile M W80 × 40 × 8 E	2000 mm	202500101
Profile M W80 × 80 × 8 E	2000 mm	202500102

Aluminium profile caps

Use to cover the profile ends.

Material: Plastic (PA), fibreglass-reinforced



DESIGNATION	T=	SLOT	ARTICLE NUMBER GREY RAL7035	ARTICLE NUMBER BLACK	ARTICLE NUMBER ESD-READY
Cap 10 × 20	3.0 mm	5		251005001	
Cap 10 × 40	2.5 mm	5		251005039	
Cap 18 × 32	4.0 mm	5		251005004	
Cap 20 × 20	2.5 mm	5		251005005	
Cap 20 × 40	2.5 mm	5		251005006	
Cap 20 × 60	2.5 mm	5		251005007	
Cap R20 90°	2.5 mm	5		251005029	
Cap 40 × 40	2.5 mm	5		251005023	
Cap 60 × 40	2.5 mm	5		251005036	
Cap 80 × 20	2.5 mm	5		251005038	
Cap 30 × 12	3.0 mm	6		261005041	
Cap 30 × 120	3.0 mm	6		261005008	
Cap 30 × 30	3.0 mm	6		261005009	261005027
Cap 30 × 30 45°	3.0 mm	6		261005024	
Cap 30 × 60	3.0 mm	6		261005010	
Cap R30 90°	3.0 mm	6		261005028	
Cap 60 × 60	3.0 mm	6		261005023	
Cap 120 × 60	3.0 mm	6		261005040	
Cap 16 × 40	4.0 mm	8		251005002	
Cap 16 × 80	4.0 mm	8		251005003	
Cap 40 × 40	4.0 mm	8	281005030	281005014	281005026
Cap, 40 × 40L, with hole	4.0 mm	8		281005028	
Cap 40 × 40 45°	4.0 mm	8		281005013	281005033
Cap R40 90°	4.0 mm	8		281005025	
Cap 3 × 40-120°	4.0 mm	8		281005037	
Cap 40 × 80	4.0 mm	8	281005031	281005015	281005034
Cap R40 × R80 30°	4.0 mm	8		281005019	
Cap R40 × R80 45°	4.0 mm	8	281005036	281005020	
Cap R40 × R80 60°	4.0 mm	8		281005021	
Cap R40 × R80 90°	4.0 mm	8		281005022	
Cap 40 × 120	4.0 mm	8		281005011	
Cap 40 × 160	4.0 mm	8		281005012	
Cap 80 × 80	4.0 mm	8	281005032	281005018	
Cap 80 × 120	4.0 mm	8		281005016	
Cap 80 × 160	4.0 mm	8		281005017	
Cap 160 × 28	4.0 mm	8		281005039	

Slot cap 8, zinc

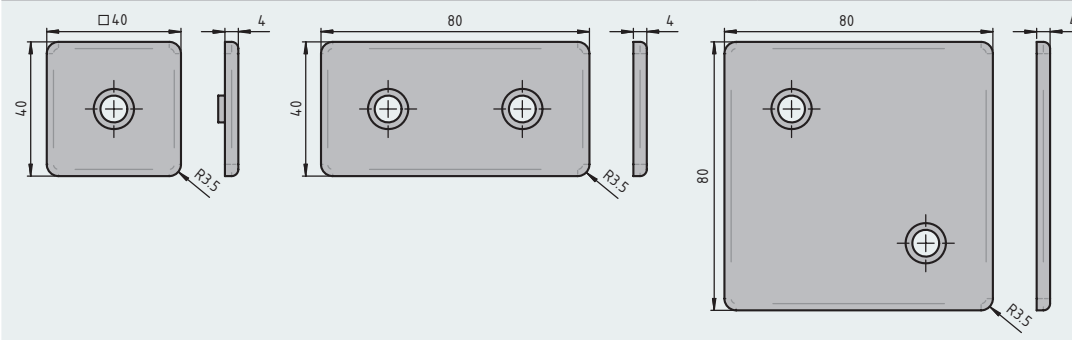
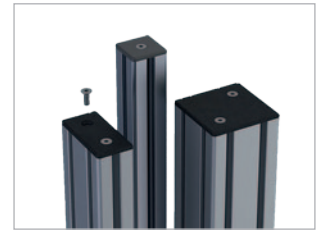
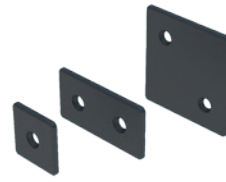
Stable cap made of zinc.

For a reliable mount with screws.

Impact resistant termination of slot 8 profiles.

Self-tapping screw holds the ZN caps in the tapping hole of slot 8 profiles.

Material: Die-cast zinc with a black powder coat



3

DESIGNATION	A = (mm)	B = (mm)	H = (mm)	ARTICLE NUMBER
Slot 8 cap 40 × 40	40	40	4	281005100
Slot 8 cap 80 × 40	80	40	4	281005101
Slot 8 cap 80 × 80	80	80	4	281005102
Self-tapping M7 screw 8SF; 1 × 16; head shape to DIN7991 (M6); slide-coated steel				281005110

Radius seals

A plastic radius seal produces a steady intersection of outer shapes when using T-shaped profile links. The seal fills the gap between the straight saw-cut at the profile's face end and the radius of the profile edge.

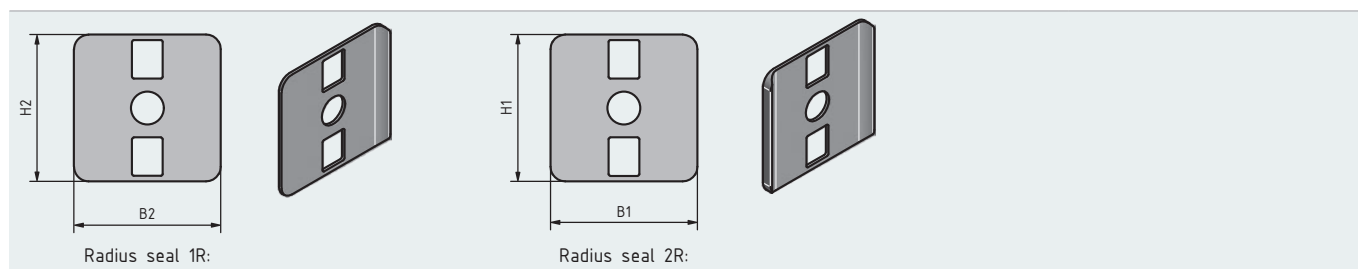
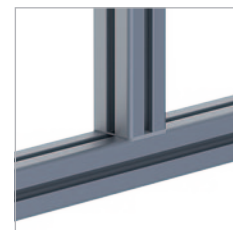
It thus prevents dirt from getting into the voids.

Note: A plastic adapter force-fits the link with radius seal if attached by screw, Uni or T-Matic connectors. We recommend doubling the safety factor in the design of a construction.

Material: plastic (PA)

Colour: grey similar to RAL7042

Consider the thickness of the radius seals on either side when determining the length of profiles between two limited profiles.

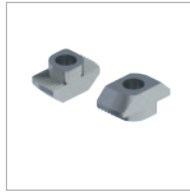


DESIGNATION	SIZE	SLOT	H1 (mm)	B1 (mm)	H2 (mm)	B2 (mm)	ARTICLE NUMBER
Radius seal	40 × 40 1R	8			40	40	282048003
Radius seal	40 × 40 2R	8	40	40			282048001
Radius seal	40 × 80 2R40	8	40	80			282048004
Radius seal	40 × 80 2R80	8	80	40			282048005
Radius seal	80 × 40 1R80	8			80	40	282048002

FASTENERS



Page 4|2
Rhomboid nut



Page 4|2
Hammer head nut



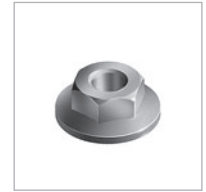
Page 4|2
Slot nuts



Page 4|7
Pin-fitted slot nut



Page 4|8
Hammer head screw



Page 4|8
Union nut



Page 4|9
Screws



Page 4|14
Screw connectors



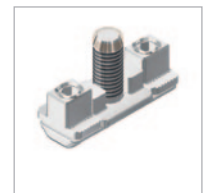
Page 4|15
Set of standard connectors



Page 4|16
Automatic connector set



Page 4|18
Butt connector



Page 4|19
Mega connector



Page 4|19
Central clamp



Page 4|20
Bolt connectors



Page 4|20
Corner bracket EV



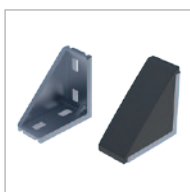
Page 4|21
Universal connectors



Page 4|22
Set of pneumatic universal connectors



Page 4|23
Milling connector



Page 4|24
Bracket



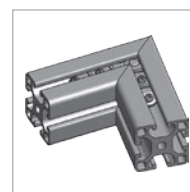
Page 4|30
Corner angle



Page 4|33
Articulated brackets



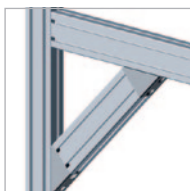
Page 4|34
Clamping bracket



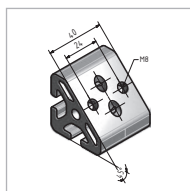
Page 4|34
Mitre connector



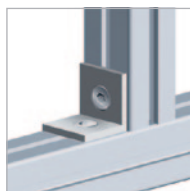
Page 4|35
Mitre connector set



Page 4|36
Angle joint



Page 4|37
Angle element



Page 4|38
Steel angle



Page 4|38
Mounting angle



Page 4|39
Tie plate



Page 4|40
Cube connector



Page 4|42
Plate connector



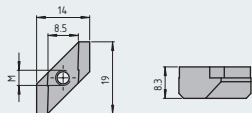
Page 4|42
Floor angle



Page 4|43
Floor dowel

Rhomboid nut, slot 8

Profile slot-based fastener which interlocks with the slot as it is turned in.



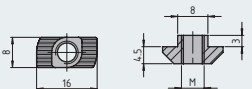
DESIGNATION	SLOT	THREAD	MATERIAL	F _{MAX}	ARTICLE NUMBER
Rhomboid nut	8	M3	Die-cast zinc, uncoated	250 N	282200152
Rhomboid nut	8	M4	Die-cast zinc, uncoated	250 N	282200153
Rhomboid nut	8	M5	Die-cast zinc, uncoated	250 N	282200154
Rhomboid nut	8	M6	Die-cast zinc, uncoated	250 N	282200155

Hammer head nut



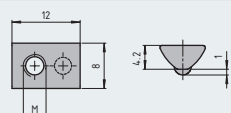
Aluminium profile fastener which breaks the anodised coating and makes a reliable and electrically conductive link.

Material: Galvanised steel



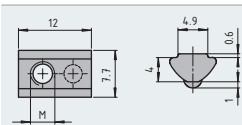
DESIGNATION	SLOT	THREAD	F _{MAX}	ARTICLE NUMBER
Hammer head nut	8	M4	2500 N	282200502
Hammer head nut	8	M5	3000 N	282200501
Hammer head nut	8	M6	3500 N	282200500


Pivoting slot nut, 8.0 × 4.2 mm, slot 5, with ball spring



DESIGNATION	SLOT	THREAD	MATERIAL	F _{MAX}	ARTICLE NUMBER
Pivoting slot nut, ball spring	5	M3	Galvanised steel	500 N	252200128
Pivoting slot nut, ball spring	5	M4	Galvanised steel	500 N	252200129
Pivoting slot nut, ball spring	5	M5	Galvanised steel	500 N	252200130
Pivoting slot nut, ball spring	5	M4	Stainless steel	400 N	252200131
Pivoting slot nut, ball spring	5	M5	Stainless steel	400 N	252200132
Pivoting slot nut profile, 8 × 4.2 mm, l=1500 mm	5		Uncoated steel		252200133

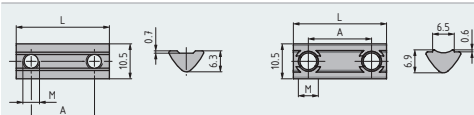
Pivoting slot nut, 7.7 × 4.0 mm, slot 5, with guide step and ball spring



DESIGNATION	SLOT	THREAD	MATERIAL	F _{MAX} 	ARTICLE NUMBER
Pivoting slot nut, ball spring, step	5	M3	Galvanised steel	500 N	252200134
Pivoting slot nut, ball spring, step	5	M4	Galvanised steel	500 N	252200135
Pivoting slot nut, ball spring, step	5	M5	Galvanised steel	500 N	252200136
Pivoting slot nut profile, step L = 1500 mm	5		Uncoated steel		252200137

4

Pivoting double slot nut, 10.5 mm, slot 6

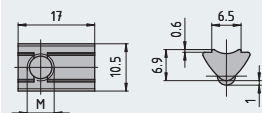



262200144–262200147

262200148–262200151

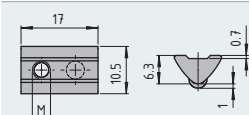
DESIGNATION	SLOT	THREAD	L=	A=	MATERIAL	F _{MAX} 	ARTICLE NUMBER
Pivoting double slot nut	6	2 × M5	28 mm	19 mm	Galvanised steel	1750 N	262200144
Pivoting double slot nut	6	2 × M5	58 mm	49 mm	Galvanised steel	1750 N	262200145
Pivoting double slot nut	6	2 × M6	28 mm	19 mm	Galvanised steel	1750 N	262200146
Pivoting double slot nut	6	2 × M6	58 mm	47 mm	Galvanised steel	1750 N	262200147
Pivoting double slot nut	6	2 × M5	28 mm	19 mm	Galvanised steel	1750 N	262200148
Pivoting double slot nut	6	2 × M5	58 mm	49 mm	Galvanised steel	1750 N	262200149
Pivoting double slot nut	6	2 × M6	28 mm	19 mm	Galvanised steel	1750 N	262200150
Pivoting double slot nut	6	2 × M6	58 mm	49 mm	Galvanised steel	1750 N	262200151
Pivoting slot nut profile, 10.5 × 6.3 mm	6	no	1500 mm		Uncoated steel		262200143


Pivoting slot nut, 10.5 × 6.9 mm, slot 6, with ball spring and guide step



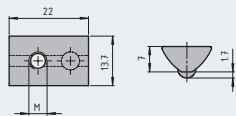
DESIGNATION	SLOT	THREAD	MATERIAL	F _{MAX} 	ARTICLE NUMBER
Pivoting slot nut with ball spring and guide step	6	M3	Galvanised steel	500 N	262200106
Pivoting slot nut with ball spring and guide step	6	M4	Galvanised steel	1750 N	262200107
Pivoting slot nut with ball spring and guide step	6	M5	Galvanised steel	1750 N	262200108
Pivoting slot nut with ball spring and guide step	6	M6	Galvanised steel	1750 N	262200109


Pivoting slot nut, 10.5 × 6.3 mm, slot 6, with ball spring



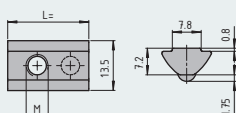
DESIGNATION	SLOT	THREAD	MATERIAL	F _{MAX} 	ARTICLE NUMBER
Pivoting slot nut, ball spring	6	M3	Galvanised steel	500 N	262200100
Pivoting slot nut, ball spring	6	M4	Galvanised steel	1750 N	262200101
Pivoting slot nut, ball spring	6	M5	Galvanised steel	1750 N	262200102
Pivoting slot nut, ball spring	6	M6	Galvanised steel	1750 N	262200103
Pivoting slot nut, ball spring	6	M5	Stainless steel	1400 N	262200104
Pivoting slot nut, ball spring	6	M6	Stainless steel	1400 N	262200105






Pivoting slot nut, 13.7 × 7.0 mm, slot 8, with ball spring



DESIGNATION	SLOT	THREAD	MATERIAL	F _{MAX} 	ARTICLE NUMBER
Pivoting slot nut, ball spring	8	M3	Galvanised steel	2000 N	282200111
Pivoting slot nut, ball spring	8	M4	Galvanised steel	2500 N	282200112
Pivoting slot nut, ball spring	8	M5	Galvanised steel	2500 N	282200113
Pivoting slot nut, ball spring	8	M6	Galvanised steel	3500 N	282200114
Pivoting slot nut, ball spring	8	M8	Galvanised steel	5000 N	282200115
Pivoting slot nut, ball spring	8	M3	Stainless steel	400 N	282200106
Pivoting slot nut, ball spring	8	M4	Stainless steel	1400 N	282200107
Pivoting slot nut, ball spring	8	M5	Stainless steel	2000 N	282200108
Pivoting slot nut, ball spring	8	M6	Stainless steel	2500 N	282200109
Pivoting slot nut, ball spring	8	M8	Stainless steel	4000 N	282200110

Pivoting slot nut, 13.5 × 7.2 mm, slot 8, with guide step and ball spring



DESIGNATION	L (mm) =	SLOT	THREAD	MATERIAL	F _{MAX} 	ARTICLE NUMBER
Pivoting slot nut, ball spring	22	8	M3	Galvanised steel	700 N	282200123
Pivoting slot nut, ball spring	22	8	M4	Galvanised steel	2500 N	282200124
Pivoting slot nut, ball spring	22	8	M5	Galvanised steel	2500 N	282200125
Pivoting slot nut, ball spring	22	8	M6	Galvanised steel	3500 N	282200126
Pivoting slot nut, ball spring	22	8	M8	Galvanised steel	5000 N	282200127
Pivoting slot nut, notched ball spring 	22	8	M4	Galvanised steel	2500 N	282200121
Pivoting slot nut, notched ball spring 	22	8	M5	Galvanised steel	2500 N	282200120
Pivoting slot nut, notched ball spring 	22	8	M6	Galvanised steel	3500 N	282200122
Pivoting slot nut, notched ball spring 	22	8	M8	Galvanised steel	5000 N	282200119
Pivoting slot nut, ball spring	22	8	M5	Stainless steel	2000 N	282200116
Pivoting slot nut, ball spring	22	8	M6	Stainless steel	2500 N	282200117
Pivoting slot nut, ball spring	22	8	M8	Stainless steel	4000 N	282200118
Pivoting slot nut profile, l = 1500 mm		8		Uncoated steel D45/A3		282200130

Pivoting slot nut, 13.5 × 7.2 mm, slot 8, with ball spring, guide step and grub screw

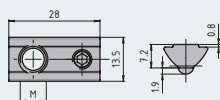



It makes a permanently conductive link between the slot nut and the profile.

What you get is an electrically conductive profile connection without extra elements which is due to the profiles' electrically insulating anodised coating being partially interrupted at the bottom of the slot.

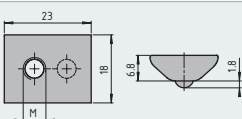
Material: Steel, blue galvanised


Grub screw: DIN 916 / ISO 4029 M6 × 6



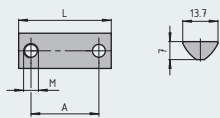
DESIGNATION	SLOT	THREAD	F _{MAX} 	ARTICLE NUMBER
Slot nut, 13.5 × 7.2 mm, guide step, ball spring, grub screw	8	M5	2500 N	282200160
Slot nut, 13.5 × 7.2 mm, guide step, ball spring, grub screw	8	M6	3000 N	282200161
Slot nut, 13.5 × 7.2 mm, guide step, ball spring, grub screw	8	M8	3000 N	282200162

Heavy pivoting slot nut, 18.0 × 6.8 mm, slot 8, with ball spring



DESIGNATION	SLOT	THREAD	LENGTH (mm)	MATERIAL	F _{MAX} 	ARTICLE NUMBER
Slot nut with ball spring	8	M5	23	Galvanised steel	2500 N	282200300
Slot nut with ball spring	8	M6	23	Galvanised steel	3500 N	282200301
Slot nut with ball spring	8	M8	23	Galvanised steel	5000 N	282200302
Slot nut profile	8	no	1500	Uncoated steel		282200141

Pivoting double slot nut, 13.7 × 7.0 mm, slot 8

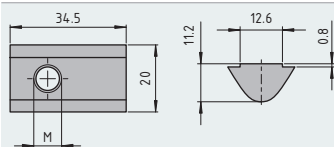


DESIGNATION	SLOT	THREAD	L=	A=	MATERIAL	F _{MAX}	ARTICLE NUMBER
Pivoting double slot nut	8	2 × M6	36 mm	26.4 mm	Galvanised steel	5000 N	282200148
Pivoting double slot nut	8	2 × M6	76 mm	66.4 mm	Galvanised steel	5000 N	282200149
Pivoting double slot nut	8	2 × M8	36 mm	24.0 mm	Galvanised steel	5000 N	282200150
Pivoting double slot nut	8	2 × M8	76 mm	64.0 mm	Galvanised steel	5000 N	282200151
Pivoting slot nut profile	8		1500 mm		Galvanised steel		282200140

Pivoting double slot nut, 20.3 × 11.2 mm, slot 12



Material: Galvanised steel



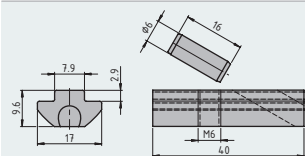
DESIGNATION	SLOT	THREAD	LENGTH (mm)	F _{MAX}	ARTICLE NUMBER
Pivoting slot nut	12	M6	34.5	5000 N	212300600
Pivoting slot nut	12	M8	34.5	10000 N	212300601
Pivoting slot nut	12	M10	34.5	10000 N	212300602
Pivoting slot nut	12	M12	34.5	10000 N	212300603

Pin-fitted M6 slot nut



Makes a connection more resistant to shifting.

Material: Pin-fitted slot nut: Galvanised steel
 M6x16 cylinder pin (DIN 7979 6); steel
 M6x12 grub screw (DIN 916); galvanised steel



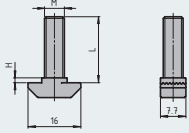
DESIGNATION	SLOT	WEIGHT (g)	F	M	ARTICLE NUMBER
Pin-fitted M6 slot nut	8	35.6	2300 N	7.5 Nm	282311200

* fastener only, bending stress not allowed

Hammer head screw, slot 8



Aluminium profile fastener which breaks the anodised coating and makes a reliable and electrically conductive link.



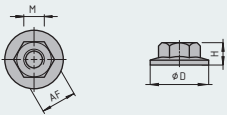
DESIGNATION	M × L	SLOT	H=	MATERIAL	F=	ARTICLE NUMBER
Hammer head screw	M6 × 20	8	3.0 mm	Galvanised steel	2500 N	282300500
Hammer head screw	M6 × 25	8	3.0 mm	Galvanised steel	2500 N	282300501
Hammer head screw	M8 × 20	8	3.0 mm	Galvanised steel	3000 N	282300505
Hammer head screw	M8 × 25	8	3.0 mm	Galvanised steel	3500 N	282300502
Hammer head screw	M8 × 30	8	3.0 mm	Galvanised steel	3500 N	282300503
Hammer head screw	M8 × 40	8	3.0 mm	Galvanised steel	3500 N	282300504

Union nut



Use together with the hammer head screw.

Material: Galvanised steel



DESIGNATION	M	H =	AF =	D =	ARTICLE NUMBER
Union nut	M6	6.0 mm	10.0 mm	14.0 mm	482523925
Union nut	M8	8.0 mm	13.0 mm	21.0 mm	412345081

Round head screws, ISO 7380, strength category 10.9

Hexagon socket fillister head



DESIGNATION	ISO	THREAD	MATERIAL	ARTICLE NUMBER STAINLESS STEEL A2	ARTICLE NUMBER GALVANISED STEEL
Fillister head screw	7380	M4 × 6	Electrolytically galvanised, tempered		402150001
Fillister head screw	7380	M4 × 8	Electrolytically galvanised, tempered		402150002
Fillister head screw	7380	M4 × 10	Electrolytically galvanised, tempered		402150003
Fillister head screw	7380	M4 × 12	Electrolytically galvanised, tempered		402150004
Fillister head screw	7380	M4 × 16	Electrolytically galvanised, tempered		402150005
Fillister head screw	7380	M4 × 25	Electrolytically galvanised, tempered		402150031
Fillister head screw	7380	M5 × 8	Electrolytically galvanised, tempered		402150032
Fillister head screw	7380	M5 × 10	Electrolytically galvanised, tempered		402150006
Fillister head screw	7380	M5 × 12	Electrolytically galvanised, tempered		402150007
Fillister head screw	7380	M5 × 14	Electrolytically galvanised, tempered		402150008
Fillister head screw	7380	M5 × 16	Electrolytically galvanised, tempered		402150009
Fillister head screw	7380	M5 × 20	Electrolytically galvanised, tempered		402150010
Fillister head screw	7380	M5 × 25	Electrolytically galvanised, tempered		402150033
Fillister head screw	7380	M5 × 30	Electrolytically galvanised, tempered		402150034
Fillister head screw	7380	M5 × 35	Electrolytically galvanised, tempered		402150035
Fillister head screw	7380	M5 × 40	Electrolytically galvanised, tempered		402150036
Fillister head screw	7380	M6 × 10	Electrolytically galvanised, tempered		402150011
Fillister head screw	7380	M6 × 12	Electrolytically galvanised, tempered		402150012
Fillister head screw	7380	M6 × 14	Electrolytically galvanised, tempered		402150013
Fillister head screw	7380	M6 × 16	Electrolytically galvanised, tempered		402150014
Fillister head screw	7380	M6 × 20	Electrolytically galvanised, tempered		402150015
Fillister head screw	7380	M6 × 25	Electrolytically galvanised, tempered		402150037
Fillister head screw	7380	M6 × 30	Electrolytically galvanised, tempered		402150038
Fillister head screw	7380	M6 × 35	Electrolytically galvanised, tempered		402150039
Fillister head screw	7380	M8 × 10	Electrolytically galvanised, tempered		402150040
Fillister head screw	7380	M8 × 12	Electrolytically galvanised, tempered		402150041
Fillister head screw	7380	M8 × 14	Electrolytically galvanised, tempered		402150042
Fillister head screw	7380	M8 × 16	Electrolytically galvanised, tempered		402150016
Fillister head screw	7380	M8 × 18	Electrolytically galvanised, tempered		402150017
Fillister head screw	7380	M8 × 20	Stainless steel A2/ Electrolytically galvanised, tempered	402150043	402150018
Fillister head screw	7380	M8 × 25	Electrolytically galvanised, tempered		402150030
Fillister head screw	7380	M8 × 30	Electrolytically galvanised, tempered		402150019

Fillister head screws with flange

(raised head)

Strength category 10.9

No extra washer required.

Material: Galvanised steel



DESIGNATION	ISO	THREAD	ARTICLE NUMBER
Fillister head screw with flange	7380	M6 × 14	402150020
Fillister head screw with flange	7380	M6 × 16	402150021
Fillister head screw with flange	7380	M6 × 20	402150022

Hexagon socket countersunk screws DIN 7991 8.8

Material: electr. galvanised



DESIGNATION	DIN	THREAD	ARTICLE NUMBER BLACK/UNCOATED	ARTICLE NUMBER GALVANISED STEEL
Countersunk screw	7991	M4 × 8		402150225
Countersunk screw	7991	M4 × 10		402150226
Countersunk screw	7991	M4 × 12		402150227
Countersunk screw	7991	M4 × 14		402150228
Countersunk screw	7991	M4 × 16		402150229
Countersunk screw	7991	M4 × 18		402150230
Countersunk screw	7991	M4 × 20		402150231
Countersunk screw	7991	M4 × 25		402150232
Countersunk screw	7991	M4 × 30		402150233
Countersunk screw	7991	M5 × 8		402150205
Countersunk screw	7991	M5 × 10		402150207
Countersunk screw	7991	M5 × 12		402150234
Countersunk screw	7991	M5 × 14		402150235
Countersunk screw	7991	M5 × 16		402150236
Countersunk screw	7991	M5 × 18		402150237
Countersunk screw	7991	M5 × 20		402150238
Countersunk screw	7991	M5 × 22		402150239
Countersunk screw	7991	M5 × 25		402150240
Countersunk screw	7991	M5 × 30		402150241
Countersunk screw	7991	M5 × 35		402150242
Countersunk screw	7991	M5 × 40		402150243
Countersunk screw	7991	M6 × 10		402150200
Countersunk screw	7991	M6 × 12		402150201
Countersunk screw	7991	M6 × 14		402150202
Countersunk screw	7991	M6 × 16		402150203
Countersunk screw	7991	M6 × 18		402150244
Countersunk screw	7991	M6 × 20		402150208
Countersunk screw	7991	M6 × 22		402150245
Countersunk screw	7991	M6 × 25		402150246
Countersunk screw	7991	M6 × 30		402150247
Countersunk screw	7991	M6 × 35		402150273

DESIGNATION	DIN	THREAD	ARTICLE NUMBER BLACK/UNCOATED	ARTICLE NUMBER GALVANISED STEEL
Countersunk screw	7991	M6 × 40		402150248
Countersunk screw	7991	M8 × 10		402150249
Countersunk screw	7991	M8 × 12		402150250
Countersunk screw	7991	M8 × 14	402150220	402150204
Countersunk screw	7991	M8 × 16	402150221	402150209
Countersunk screw	7991	M8 × 18		402150251
Countersunk screw	7991	M8 × 20		402150252
Countersunk screw	7991	M8 × 22		402150253
Countersunk screw	7991	M8 × 25		402150254
Countersunk screw	7991	M8 × 30		402150255
Countersunk screw	7991	M8 × 35		402150256
Countersunk screw	7991	M8 × 40		402150257
Countersunk screw	7991	M8 × 50		402150258
Countersunk screw	7991	M10 × 16		402150259
Countersunk screw	7991	M10 × 20		402150260
Countersunk screw	7991	M10 × 30		402150261
Countersunk screw	7991	M10 × 35		402150262
Countersunk screw	7991	M10 × 40		402150263
Countersunk screw	7991	M10 × 45		402152064
Countersunk screw	7991	M10 × 50		402150265
Countersunk screw	7991	M12 × 20		402150266
Countersunk screw	7991	M12 × 25		402150267
Countersunk screw	7991	M12 × 30		402150268
Countersunk screw	7991	M12 × 35		402150269
Countersunk screw	7991	M12 × 40		402150270
Countersunk screw	7991	M12 × 45		402150271
Countersunk screw	7991	M12 × 50		402150272

Hexagon socket cheese head screw 8.8 DIN ISO 4762

Material: Galvanised steel



DESIGNATION	DIN ISO	THREAD	ARTICLE NUMBER
Cheese head screw	4762	M3 × 5	402150304
Cheese head screw	4762	M3 × 8	402150305
Cheese head screw	4762	M3 × 10	402150306
Cheese head screw	4762	M3 × 12	402150307
Cheese head screw	4762	M3 × 14	402150308
Cheese head screw	4762	M3 × 16	402150309
Cheese head screw	4762	M3 × 18	402150310
Cheese head screw	4762	M3 × 20	402150311
Cheese head screw	4762	M3 × 25	402150312
Cheese head screw	4762	M3 × 30	402150313
Cheese head screw	4762	M3 × 35	402150314
Cheese head screw	4762	M3 × 50	402150315

DESIGNATION	DIN ISO	THREAD	ARTICLE NUMBER
Cheese head screw	4762	M4 × 8	402150316
Cheese head screw	4762	M4 × 10	402150317
Cheese head screw	4762	M4 × 12	402150318
Cheese head screw	4762	M4 × 14	402150319
Cheese head screw	4762	M4 × 16	402150320
Cheese head screw	4762	M4 × 18	402150321
Cheese head screw	4762	M4 × 20	402150322
Cheese head screw	4762	M4 × 25	402150323
Cheese head screw	4762	M4 × 30	402150324
Cheese head screw	4762	M4 × 40	402150325
Cheese head screw	4762	M5 × 8	402150326
Cheese head screw	4762	M5 × 10	402150327
Cheese head screw	4762	M5 × 12	402150328
Cheese head screw	4762	M5 × 14	402150329
Cheese head screw	4762	M5 × 16	402150330
Cheese head screw	4762	M5 × 18	402150331
Cheese head screw	4762	M5 × 20	402150332
Cheese head screw	4762	M5 × 22	402150333
Cheese head screw	4762	M5 × 25	402150334
Cheese head screw	4762	M5 × 30	402150335
Cheese head screw	4762	M5 × 35	402150336
Cheese head screw	4762	M5 × 40	402150337
Cheese head screw	4762	M5 × 45	402150338
Cheese head screw	4762	M5 × 65	402150339
Cheese head screw	4762	M6 × 8	402150340
Cheese head screw	4762	M6 × 10	402150341
Cheese head screw	4762	M6 × 12	402150342
Cheese head screw	4762	M6 × 14	402150302
Cheese head screw	4762	M6 × 16	402150343
Cheese head screw	4762	M6 × 18	402150344
Cheese head screw	4762	M6 × 20	402150345
Cheese head screw	4762	M6 × 22	402150346
Cheese head screw	4762	M6 × 25	402150347
Cheese head screw	4762	M6 × 28	402150348
Cheese head screw	4762	M6 × 30	402150349
Cheese head screw	4762	M6 × 35	402150350
Cheese head screw	4762	M6 × 40	402150351
Cheese head screw	4762	M6 × 45	402150352
Cheese head screw	4762	M6 × 50	402150353
Cheese head screw	4762	M6 × 55	402150354
Cheese head screw	4762	M6 × 60	402150355
Cheese head screw	4762	M6 × 70	402150356
Cheese head screw	4762	M6 × 80	402150357
Cheese head screw	4762	M6 × 100	402150358
Cheese head screw	4762	M6 × 140	402150359
Cheese head screw	4762	M8 × 14	402150360
Cheese head screw	4762	M8 × 16	402150361

DESIGNATION	DIN ISO	THREAD	ARTICLE NUMBER
Cheese head screw	4762	M8 × 18	402150362
Cheese head screw	4762	M8 × 20	402150300
Cheese head screw	4762	M8 × 25	402150363
Cheese head screw	4762	M8 × 30	402150364
Cheese head screw	4762	M8 × 35	402150303
Cheese head screw	4762	M8 × 40	402150365
Cheese head screw	4762	M8 × 50	402150366
Cheese head screw	4762	M8 × 60	402150367
Cheese head screw	4762	M8 × 70	402150368
Cheese head screw	4762	M8 × 80	402150369
Cheese head screw	4762	M8 × 100	402150370
Cheese head screw	4762	M8 × 180	402150371
Cheese head screw	4762	M10 × 16	402150372
Cheese head screw	4762	M10 × 18	402150373
Cheese head screw	4762	M10 × 20	402150374
Cheese head screw	4762	M10 × 25	402150375
Cheese head screw	4762	M10 × 30	402150376
Cheese head screw	4762	M10 × 35	402150377
Cheese head screw	4762	M10 × 40	402150378
Cheese head screw	4762	M10 × 45	402150379
Cheese head screw	4762	M10 × 50	402150380
Cheese head screw	4762	M10 × 60	402150381
Cheese head screw	4762	M10 × 70	402150382
Cheese head screw	4762	M10 × 80	402150383
Cheese head screw	4762	M10 × 100	402150384
Cheese head screw	4762	M10 × 140	402150385
Cheese head screw	4762	M12 × 20	402150386
Cheese head screw	4762	M12 × 25	402150387
Cheese head screw	4762	M12 × 30	402150388
Cheese head screw	4762	M12 × 35	402150389
Cheese head screw	4762	M12 × 40	402150301
Cheese head screw	4762	M12 × 45	402150390
Cheese head screw	4762	M12 × 50	402150391
Cheese head screw	4762	M12 × 60	402150392
Cheese head screw	4762	M12 × 70	402150393
Cheese head screw	4762	M12 × 80	402150394
Cheese head screw	4762	M12 × 100	402150395

Other DIN screws upon request

Screw connectors

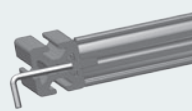
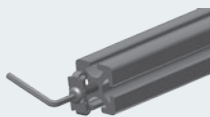
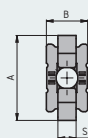


Connect two aluminium profiles. Teeth crack the anodised coating and create a reliable and conductive link.

Material Connector: Galvanised or stainless steel

Material Dummy plug: PVC, black

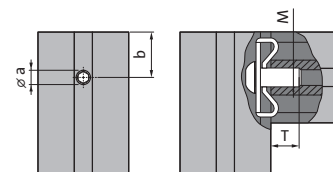
Note: Use the dummy plugs to close the drill hole in closed slots.



DESIGNATION	SLOT	A x B =	H =	F =	M =	ARTICLE NUMBER
Galvanised screw connector	5	19 × 10 mm	7.3 mm	450 N	7 Nm	252311001
Galvanised screw connector including ISO 7380 M5 × 12 screw	5	19 × 10 mm	7.3 mm	450 N	7 Nm	252311008
Galvanised screw connector	6	27.5 × 13 mm	7.3 mm	600 N	30 Nm	262311002
Galvanised screw connector including ISO 7380 M6 × 14 screw	6	27.5 × 13 mm	7.3 mm	600 N	30 Nm	262311006
Galvanised screw connector	8	35 × 17 mm	10.0 mm	1100 N	60 Nm	282311003
Galvanised screw connector including ISO 7380 M8 × 20 fillister head screw	8	35 × 17 mm	10.0 mm	1100 N	60 Nm	282311004
Galvanised screw connector including screw similar to ISO 7380 S7.3 × 20	8	35 × 17 mm	10.0 mm	1100 N	60 Nm	282311005
Stainless steel screw connector including ISO 7380 M8 × 20 screw	8	35 × 17 mm	10.0 mm	1100 N	60 Nm	282311007
Galvanised screw connector	12	55 × 26 mm	10.0 mm	2000 N	160 Nm	212311008
Dummy plug for D4.3						202311102
Dummy plug for D5.5						202311103
Dummy plug for D7						282311100
Self-tapping S7.3 × 20 screw similar to ISO 7380						282311901

Machining of screw connectors – slot 5 / slot 6 / slot 8

Profile	20 × 20	30 × 30	40 × 40
	5	6	8
Drill hole (a)	∅ 4.3 mm	∅ 5.5 mm	∅ 7 mm
Distance (b)	10 mm	15 mm	20 mm
Distance (b) (to make a flush mount of a profile with cover cap)	7.5 mm	12 mm	16 mm
Thread (M)	M5	M6	M8
Depth of thread (T)	12 mm	15 mm	18 mm



Set of standard connectors 8 K

new

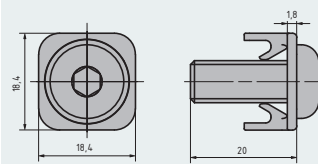
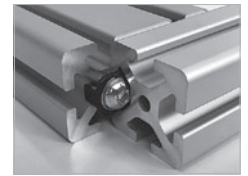
Use the set of standard connectors 8 K whenever you are mounting surface elements in the profile slot. An added benefit of the connector that you can do without extra notches in the surfaces. The connector supports a maximum tightening torque of 25.0 Nm. To provide access to the screw head, we recommend drilling a hole (D = 7.0 mm) every 20.0 mm (see DL-B-D7 = follow-on drill hole machining).

Includes a galvanised M8x20 fillister head screw
 m = 12.0 g / SV-8-K-SZ

Material: Spacer, black POM

Fillister head screw, galvanised steel

Tightening torque: (M) = 25.0 Nm



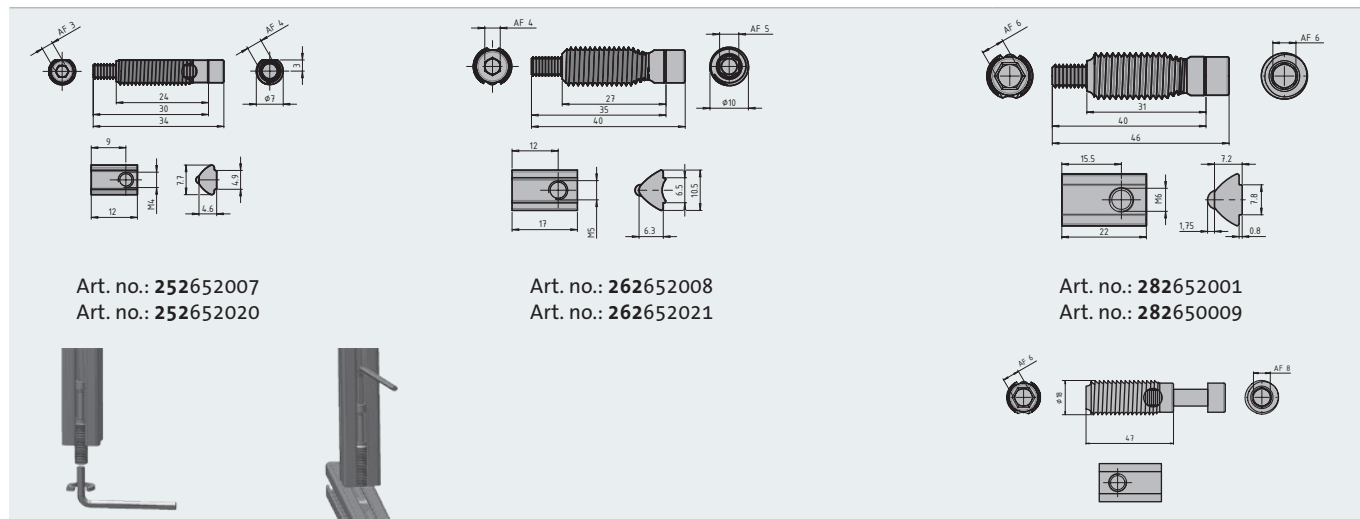
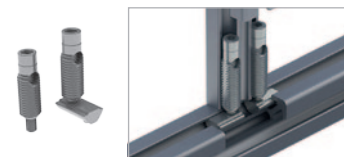
DESIGNATION	SLOT	ARTICLE NUMBER
Set of standard connectors 8K	8	282311850

Automatic connectors

The set of automatic connectors mount quickly and easily because there is no need for modifying the profiles.

Universal force-fit link for all profiles from the same series plus the option of moving them afterwards because the connectors are fitted in a single profile only. There is no restriction on installing them in existing constructions later.

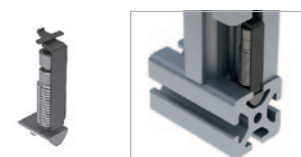
Note: We recommend that you install them in pairs – this is also what the stress data refers to.



DESIGNATION	SLOT	MATERIAL	ESD	F	M	ARTICLE NUMBER
Automatic connector including slot nut with guide step	5	Galvanised steel	no	350 N	12.5 Nm	252652007
Automatic connector including slot nut with guide step	5	Stainless steel	no	250 N	20 Nm	252652020
Automatic connector including slot nut with guide step	6	Galvanised steel	no	600 N	40 Nm	262652008
Automatic connector including slot nut with guide step	6	Stainless steel	no	400 N	30 Nm	262652021
Automatic connector including slot nut with notched guide step	8	Galvanised steel		1500 N	80 Nm	282652001
Automatic connector including slot nut with guide step	8	Stainless steel	no	1200 N	70 Nm	282652009
Automatic connector including slot nut with guide step	12	Galvanised steel	no			202652021

Cap for automatic connector

Material: plastic (PA)

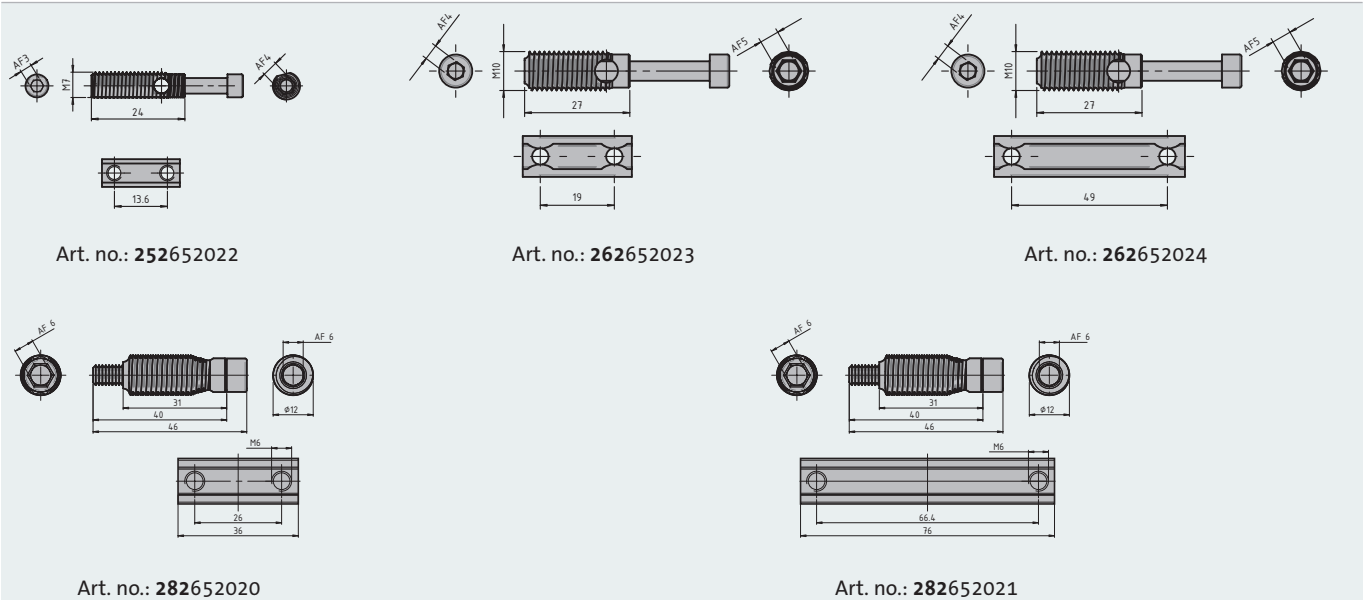


DESIGNATION	COLOUR	ARTICLE NUMBER
Cap for slot 8 T-Matic connector	black	282652005
Cap for slot 8 T-Matic connector	grey RAL7042	282652006

Automatic combination connector

Quickly and reliably links two aluminium profiles without having to modify them.

Material: Galvanised steel



4

DESIGNATION	SLOT	ESD	F	M	ARTICLE NUMBER
Automatic combination connector 20 including slot nut with guide step	5				252652022
Automatic combination connector 30 including slot nut with guide step	6				262652023
Automatic combination connector 40 including notched slot nut	8		1750 N	80 Nm	282652020
Automatic combination connector 60 including slot nut with guide step	6		600 N	65 Nm	262652024
Automatic combination connector 80 including notched slot nut	8		1750 N	180 Nm	282652021

Automatic butt connector

Use the automatic butt connector to quickly and easily link the face ends of two profiles from the same series without having to machine the profiles beforehand.

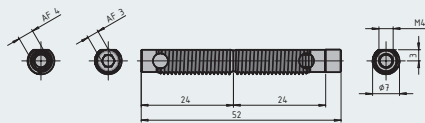
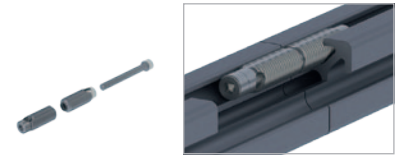
Best practice is to use the automatic butt connectors in pairs.

You may need several pairs, depending on the size and load on the profiles.

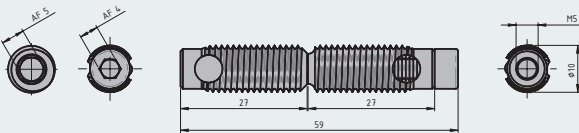
Material: Galvanised / stainless steel

Package includes the screw and cutting bush

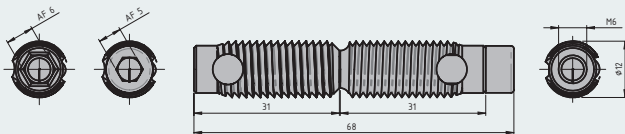
Note: The load values refer to connectors installed in pairs



Art. no.: 252652010



Art. no.: 262652011



Art. no.: 282652012

Art. no.: 282652013

DESIGNATION	SLOT	MATERIAL	F =	M =	ARTICLE NUMBER
Set of automatic butt connectors	5	Galvanised steel	1500 N	22 Nm	252652010
Set of automatic butt connectors	5	Stainless steel	1500 N	22 Nm	252652014
Set of automatic butt connectors	6	Galvanised steel	1800 N	45 Nm	262652011
Set of automatic butt connectors	6	Stainless steel	1800 N	45 Nm	262652015
Set of automatic butt connectors	8	Galvanised steel	4500 N	140 Nm 40 × 40l 170 Nm 40 × 40	282652012
Set of automatic butt connectors	8	Stainless steel	4500 N	140 Nm 40 × 40l 170 Nm 40 × 40	282652013

Bolt connectors

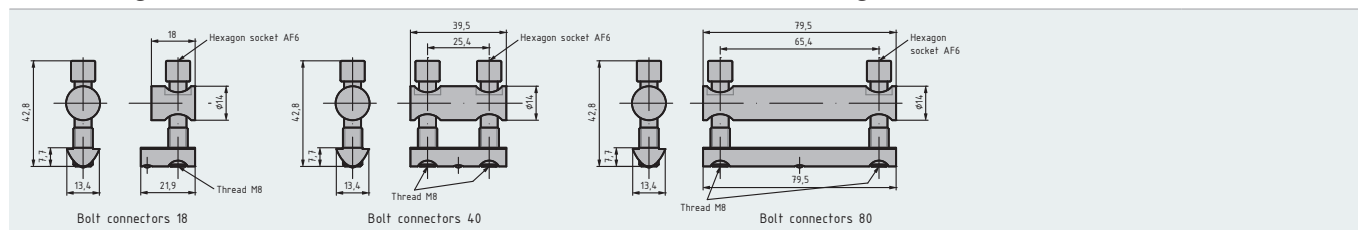
Force-fit right-angle link allowing you to adjust the profile stiffeners afterwards. Use to install profiles in existing constructions.

Material Connector: Galvanised steel

Material Dummy plug: PVC, black

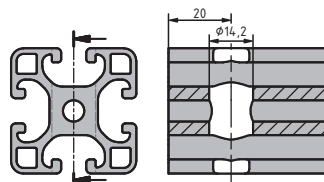
Note: Use the dummy plugs to close the drill hole in closed slots.

When using a radius seal, remember to consider its thickness when drilling the hole.



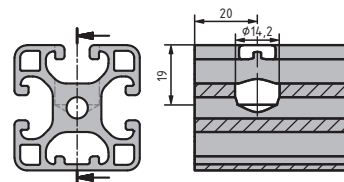
DESIGNATION	MACHINING	SLOT	M _{MAX}	ARTICLE NUMBER
Bolt connector 18	D14.2	8	25 Nm	282311802
Bolt connector 40	D14.2	8	25 Nm	282311800
Bolt connector 80	D14.2	8	25 Nm	282311801
Dummy plug for D14.2				202311104

Machining of bolt connector 40-80



Machining of bolt connector 18: D14.2 T19:

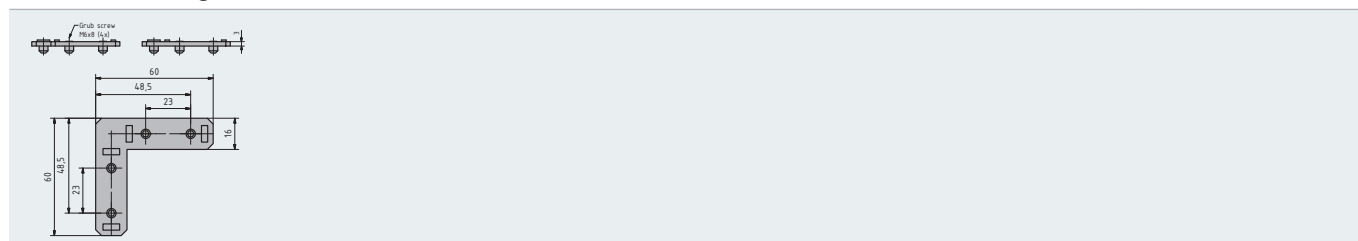
Art. no.: 282311802 (for closed slots)



Corner bracket EV

Use corner bracket EV for lightweight 90° links between stiffened aluminium profiles. It makes an elegant link of closed 90° profiles. You can afterwards install surface elements (discs, panels, grids etc.) with or without lip seal.

Material: Electr. galvanised steel



DESIGNATION	SLOT	ARTICLE NUMBER
EV corner connector and mount	8	282100003

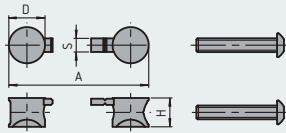
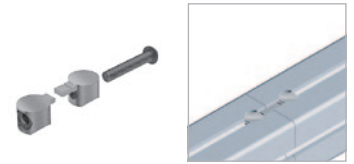
Universal butt connector

Links the face ends of two aluminium profile from the same series.
Supplied with mounting kit.

Material Connector: Galvanised die-cast zinc

Material Dummy plug: PVC, black

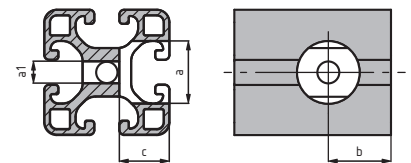
Note: Use the dummy plugs to close the drill hole in closed slots.



DESIGNATION	SLOT	A=	D=	H=	M MAX1	M MAX2	ARTICLE NUMBER
Universal connector set (2 universal connectors, 1 M4 × 20 screw (DIN912), 1 M4 nut (DIN934))	5	32 mm	11.8 mm	8.5 mm	20 Nm	20 Nm	252305100
Universal connector set (2 universal connectors, 1 M6 × 35 screw (ISO7380), 1 M6 nut (DIN934))	6	46 mm	15.7 mm	12.5 mm	50 N	50 Nm	262305101
Universal connector set (2 universal connectors, 1 M8 × 45 fillister head screw (ISO7380), 1 M8 nut (DIN934))	8	60 mm	19.7 mm	16.0 mm	150 Nm	150 Nm	282305102
Dummy plug for D4.3							202311102
Dummy plug for D5.5							202311103
Dummy plug for D7							282311100

Machining of universal butt connectors and universal connectors – slot 5 / slot 6 / slot 8

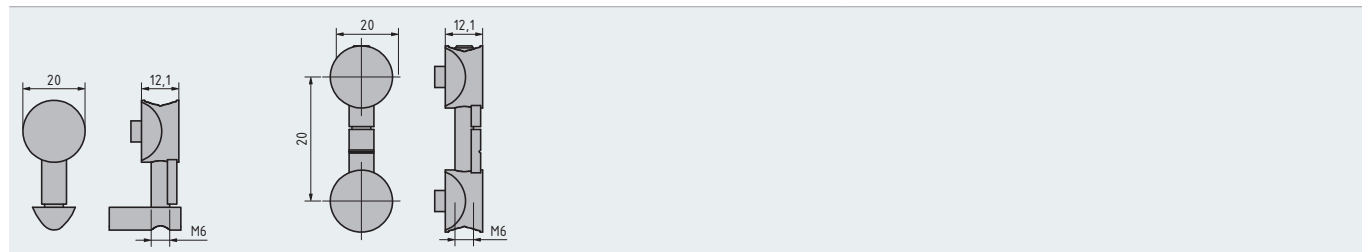
Profile	20 × 20	30 × 30	40 × 40
	5	6	8
Drill hole (a)	∅ 12 mm	∅ 16 mm	∅ 20 mm
Drill hole (a1)	∅ 4.3 mm	∅ 5.5 mm	∅ 7 mm
Distance (b)	10 mm	15 mm	20 mm
Depth (c)	8.5 mm	12.7 mm	16 mm



Set of pneumatic universal connectors

Mount on face ends or at right angles.
 Voids can be used as compressed air line because there are no holes that the air could escape from.

Material: Galvanised die-cast zinc



DESIGNATION	SLOT	ARTICLE NUMBER
Set of pneumatic universal connectors including a M6 × 30 cheese head screw (DIN912) and a M6 Slot 8 slot nut	8	282305120
Set of pneumatic universal connectors including a M6 × 35 cheese head screw (DIN912) and a M6 slot nut (DIN934)	8	282305121

Universal connectors

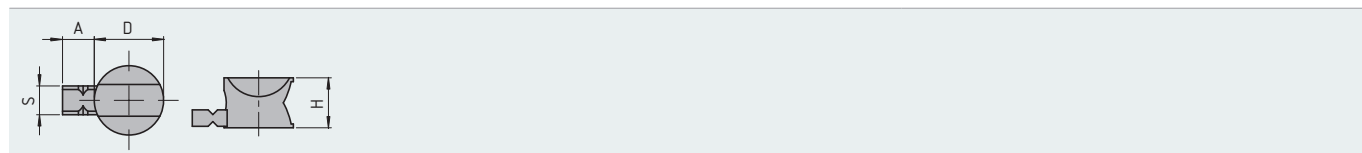
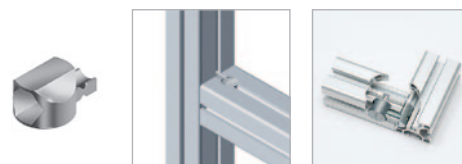
Links two aluminium profiles. Supplied with slot nut and screw.

Material: Galvanised die-cast zinc

Note: We recommend that you install them in pairs.

Dummy plug material: PVC, black

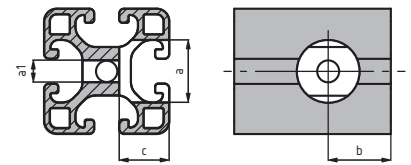
Note: Use the dummy plugs to close the drill hole in closed slots.



DESIGNATION	SLOT	A=	D=	H=	F _{MAX}	M _{MAX}	ARTICLE NUMBER
Set of universal connectors with guide lug and 4 mm hole; M4 slot nut and cheese head screw included	5	5.4 mm	11.8 mm	8.5 mm	400 N	12 Nm	252310001
Set of universal connectors with guide lug and 6 mm hole; M6 slot nut and cheese head screw included	6	9.3 mm	15.7 mm	12.5 mm	1250 N	35 Nm	262310002
Set of universal connectors with guide lug and 8 mm hole; M8 slot nut and cheese head screw included	8	13.7 mm	19.7 mm	16.0 mm	1750 N	80 Nm	282310003
Dummy plug for D4.3							202311102
Dummy plug for D5.5							202311103
Dummy plug for D7							282311100

Machining of universal butt connectors and universal connectors – slot 5 / slot 6 / slot 8

Profile	20 × 20	30 × 30	40 × 40
	5	6	8
Drill hole (a)	∅ 12 mm	∅ 16 mm	∅ 20 mm
Drill hole (a1)	∅ 4.3 mm	∅ 5.5 mm	∅ 7 mm
Distance (b)	10 mm	15 mm	20 mm
Depth (c)	8.5 mm	12.7 mm	16 mm



Milling connector for slot 8 profile 40

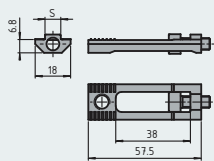


Quickly and reliably links two aluminium profiles without having to machine the profile.

Set: 1 M5 × 18 screw (DIN912), 1 hammer head nut

Material: Galvanised steel

Mounting instruction: Check that the mounted milling connector is flush with the profile edge.



DESIGNATION	SLOT	H=	F1=	F2=	M MAX1=	ARTICLE NUMBER
Galvanised profile 40 milling conn. and mount	8	3.0 mm	2000 N	1500 N	80 Nm	282311500



Various bracket sizes and models are available.

Mount both in the slot and on straight surfaces (break off the centring lug).

Dirt protection cap.

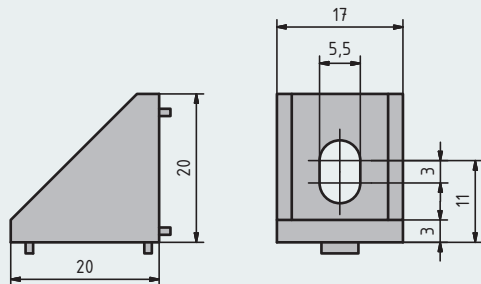
Mounts easily without having to machine the profile.

Slot nuts with a guide step make mounting the brackets easier.

Note: To install the ESD-ready brackets, use a notched slot nut in order to make a conductive link.

Note: The caps in the sets are not ESD-ready.

Bracket 20 × 20



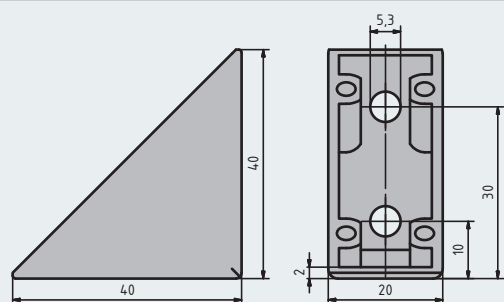
Mounting material:
2 × M5 slot 5 slot nuts with step
2 × M5 × 8 screw (DIN 6912)

DESIGNATION	SLOT	ESD	ARTICLE NUMBER
Bracket 20 × 20	5	—	252300100
Bracket 20 × 20 with mounting material and ABDK	5		252300109
Bracket 20 × 20 silver powder coated with mounting material and ABDK	5	—	252300200
Cap 20 × 20	—	—	262523504

Material: Bracket: Die-cast zinc, uncoated and silver powder coated
Cap: black plastic (PA)
Mounting kit: Galvanised steel

F _{MAX}	M _{MAX1}	M _{MAX2}
500 N	5 Nm	15 Nm

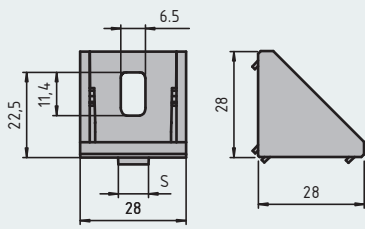
Bracket 40 × 40, slot 5



DESIGNATION	SLOT	ESD	ARTICLE NUMBER
Bracket 40 × 40 painted silver white aluminium (RAL9006)	5	—	252300106
Bracket 40 × 40 painted silver white aluminium (RAL9006) plus mounting material and ABDK	5	—	252300114
Cap 40 × 40	—	—	252523506

Material: Bracket: Painted die-cast zinc, white aluminium (RAL9005)
Cap: black plastic (PA)
Mounting kit: Galvanised steel

Bracket 30 × 30



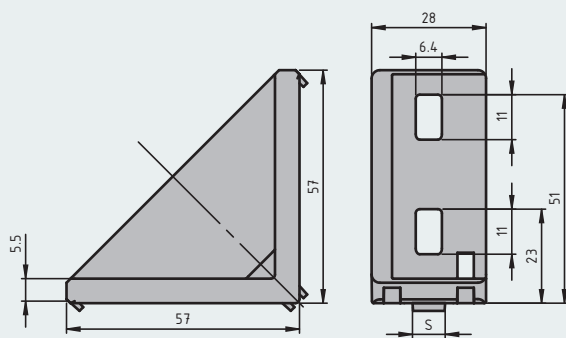
Mounting material:
 2× M6 slot 6 slot nuts with step
 2× M6 × 14 screw (DIN 7380)

DESIGNATION	SLOT	ESD	ARTICLE NUMBER
Bracket 30 × 30	6	—	262300102
Bracket 30 × 30 with mounting material and ABDK	6		262300110
Bracket 30 × 30 silver powder coated with mounting material and ABDK	6	—	262300201
Cap 30 × 30	—	—	262523509

Material: Bracket: Die-cast zinc, uncoated and silver powder coated
 Cap: black plastic (PA)
 Mounting kit: Galvanised steel

F _{MAX}	M _{MAX1}	M _{MAX2}
800 N	15 Nm	40 Nm

Bracket 30 × 60

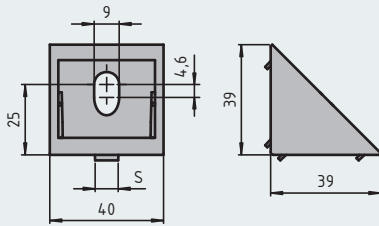


Mounting kit:
 4× slot nut with M6 step
 4× M6×14 screw (ISO7380)
 4× washer (DIN 125)

DESIGNATION	SLOT	ESD	ARTICLE NUMBER
Bracket 30 × 60 with mounting material and ABDK	6		262300117

Material: Bracket: Uncoated die-cast aluminium
 Cap: black plastic (PA)
 Mounting kit: Galvanised steel

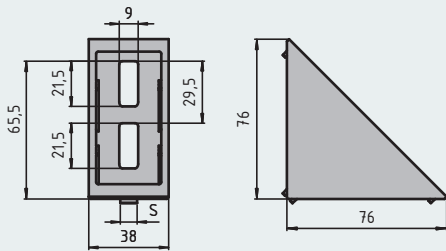
Bracket 40 × 40, slot 8



Mounting material:
 2 × M8 slot 8 slot nuts with step
 2 × M8 × 18 screw (DIN 7380)

DESIGNATION	SLOT	ESD	ARTICLE NUMBER
Bracket 40 × 40	8	—	282300103
Bracket 40 × 40 with mounting material and ABDK, black	8		282300111
Bracket 40 × 40 silver powder coated with mounting material and ABDK, black	8	—	282300202
Bracket 40 × 40 silver powder coated	8	—	282300252
Bracket 40 × 40 silver powder coated with mounting material and ABDK, traffic grey (RAL7042)	8	—	282300254 new
Cap 40 × 40, black	—	—	282523501
Cap 40 × 40, traffic grey (RAL7042)	—	—	282523508
Material: Bracket: Die-cast zinc, uncoated and silver powder coated Cap: plastic (PA) Mounting kit: Galvanised steel			
F_{MAX}	M_{MAX1}	M_{MAX2}	
1500 N	40 Nm	120 Nm	

Bracket 40 × 80



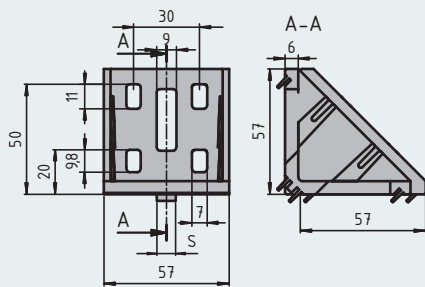
Mounting material:
4× M8 slot 8 slot nuts with step
4× M8 × 18 screw (DIN 7380)

DESIGNATION	SLOT	ESD	ARTICLE NUMBER
Bracket 40 × 80	8	—	282300108
Bracket 40 × 80 with mounting material and ABDK, black	8		282300112
Bracket 40 × 80 silver powder coated with mounting material and ABDK, black	8	—	282300203
Bracket 40 × 80 silver powder coated with mounting material and ABDK, traffic grey (RAL7042)	8	—	282300255 new
Bracket 40 × 80 silver powder coated	—	—	282300253
Cap 40 × 80, black	—	—	282523502
Cap 40 × 80, traffic grey (RAL7042)	—	—	282523506 new

Material: Bracket: Die-cast zinc, uncoated and silver powder coated
Cap: plastic
Mounting kit: Galvanised steel

F _{MAX}	M _{MAX1}	M _{MAX2}
2000 N	150 Nm	300 Nm

Bracket 60 × 60



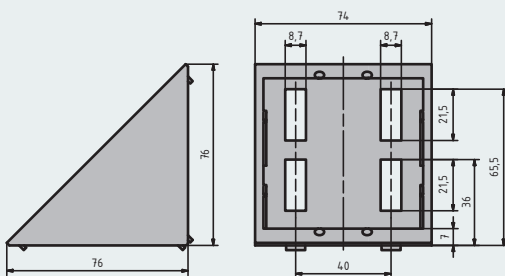
Slot 6 mounting material:
 8× M6 slot 6 slot nuts with step
 8× M6 × 14 screw (DIN 7380)
 Slot 12 mounting material:
 8× M8 slot 12 slot nuts with step
 8× washer (DIN 125)
 8× M8×28 screw (DIN7380)

DESIGNATION	SLOT	ESD	ARTICLE NUMBER
Bracket 60 × 60	6 & 12	—	202300104
Bracket 60 × 60 with mounting material and ABDK	6		202300115
Bracket 60 × 60 silver powder coated with mounting material and ABDK	6	—	202300205
Cap 60 × 60		—	282523505
Bracket 60 × 60 with mounting material and ABDK	12		212300206

Material: Bracket:Uncoated die-cast zinc
 Cap: Black plastic (PA)

FMAX	MMAX1	MMAX2
2000 N	100 Nm	120 Nm

Bracket 80 × 80



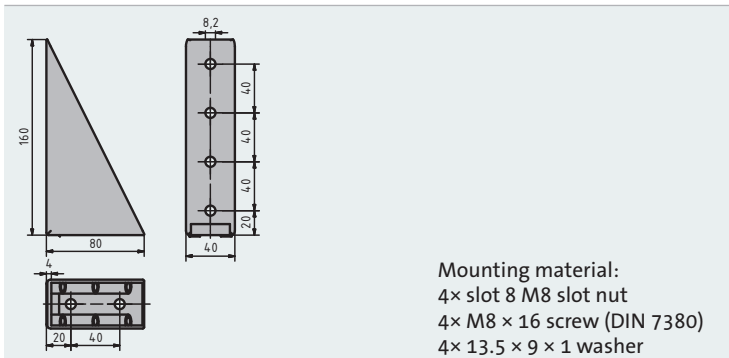
Slot 6 mounting material:
 8× M8 slot 8 slot nut with step
 8× M8 × 18 screw (DIN 7380)

DESIGNATION	SLOT	ESD	ARTICLE NUMBER
Bracket 80 × 80	8	—	282300105
Bracket 80 × 80 with mounting material and ABDK, black	8		282300113
Bracket 80 × 80 silver powder coated with mounting material and ABDK, black	8	—	282300204
Bracket 80 × 80 silver powder coated with mounting material and ABDK, traffic grey (RAL7042)	8	—	282300255 new
Bracket 80 × 80 with mounting material and ABDK, traffic grey (RAL7042)	8	—	282300114
Cap, black 80 × 80		—	282523503
Cap, traffic grey (RAL7042) 80 × 80		—	282523504

Material: Bracket:Uncoated die-cast zinc
 Cap: plastic (PA)
 Mounting kit: Galvanised steel

FMAX	MMAX1	MMAX2
10000 N	400 Nm	800 Nm

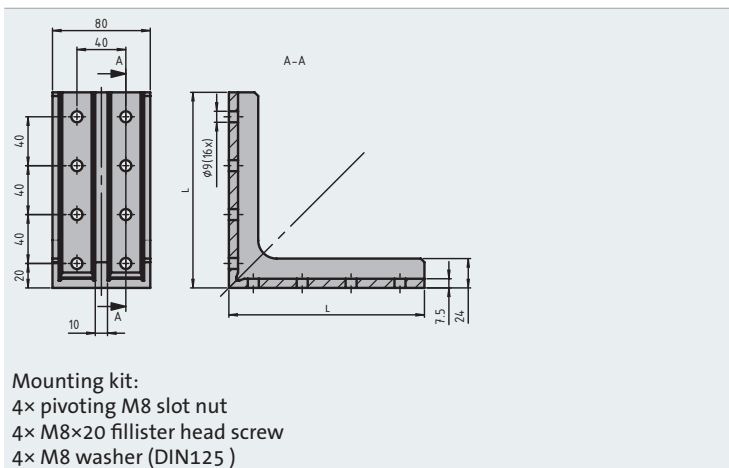
Bracket 160 × 80



DESIGNATION	SLOT	ESD	ARTICLE NUMBER
Bracket 160 × 80	8	—	282300107
Bracket 160 × 80 with mounting material and ABDK	8	—	282300115
Cap 160 × 80	—	—	282523507

Material: Bracket: Painted die-cast zinc, white aluminium (RAL9006)
 Mounting kit: Galvanised steel
 Cap: Black plastic (PA)

Bracket 160 × 160



DESIGNATION	SLOT	ESD	ARTICLE NUMBER
Bracket 160 × 160	8	—	282300116
Mounting kit for 160 × 160 bracket	8	—	282500500

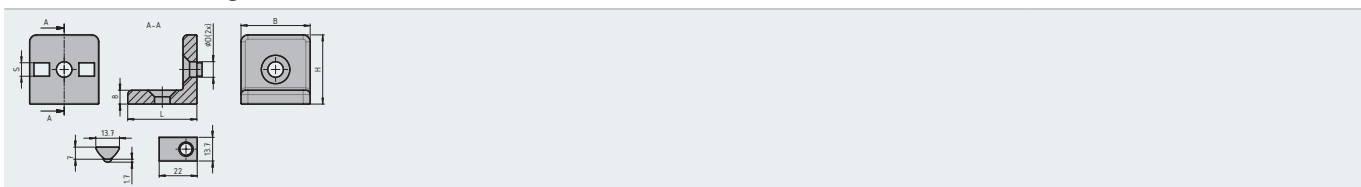
Material: Bracket: Globular grey cast iron, white aluminium paint coat (RAL9006)
 Mounting kit: Galvanised steel

F _{MAX}	M _{MAX1}	M _{MAX2}
16000 N	2000 Nm	2800 Nm

Angle bracket V40

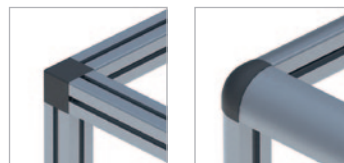
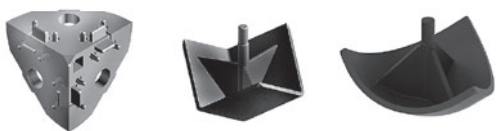
Links profiles to surface elements at a right angle. Particularly suited for fitting horizontal profiles between upright profiles or for mounting other components on profiles. One rear side features an anti-twist slot 8. No profile machining required.

Material: Angle bracket: Die-cast zinc, powder coated (aluminium)
 Mounting kit: Galvanised steel



DESIGNATION	SLOT	D (mm)	F=	WEIGHT	ARTICLE NUMBER
Set of V40 angle brackets	8	9	1000 N	164.7 g	282300400

Corner angle

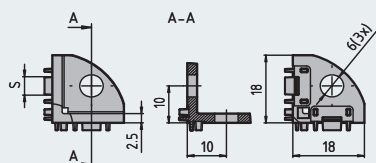


Right-angled links between up to three square or semi-circular profiles of the same cross section.
Square or round caps for protection against injury and dirt.

Material: Corner angle: Uncoated die-cast zinc
Caps: plastic (PA)

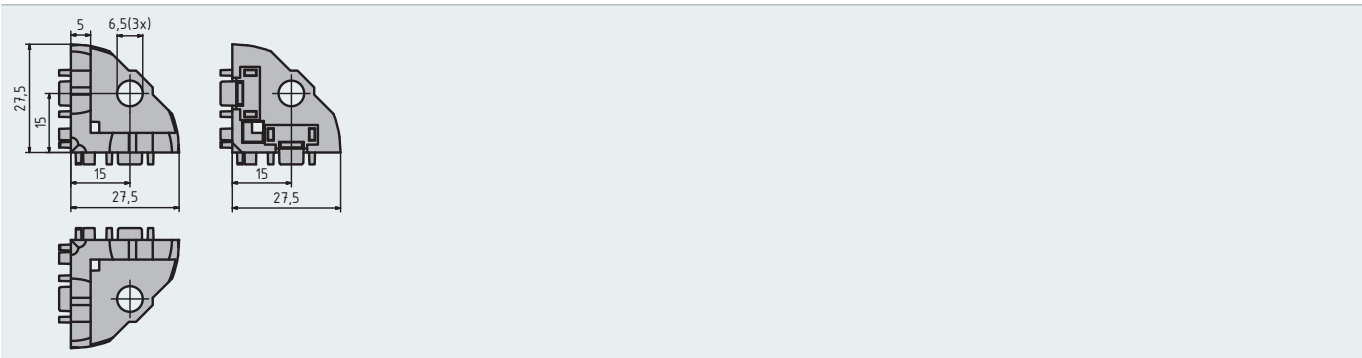
Note: The caps in the sets are not ESD-ready.

Corner angle 20



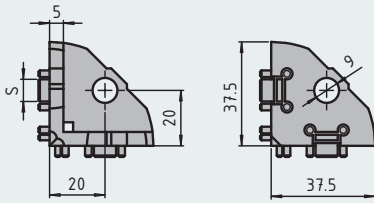
DESIGNATION	SLOT	ESD	F (Nm)	ARTICLE NUMBER
Corner angle 20 including 3 M5 × 12 screws (ISO 7380)	5		12 Nm	252310010
Corner angle 20 including 3 M5 × 12 screws (ISO 7380) and square black cap	5		12 Nm	252310011
Corner angle 20 including 3 M5 × 12 screws (ISO 7380) and round black cap	5		12 Nm	252310012
Round black cap				252310004
Square black cap				252310003

Corner angle 30



DESIGNATION	SLOT	ESD	F (Nm)	ARTICLE NUMBER
Corner angle 30 including 3 M6 × 16 screws (ISO 7380)	6		40 Nm	262310011
Corner angle 30 including 3 M6 × 16 screws (ISO 7380) and square black cap	6		40 Nm	262310012
Corner angle 30 including 3 M6 × 16 screws (ISO 7380) and square grey cap (RAL7004)	6		40 Nm	262310014
Corner angle 30 including 3 M6 × 16 screws (ISO 7380) and round black cap	6		40 Nm	262310013
Round black cap				262310006
Square black cap				262310007
Square grey cap (RAL7004)				262310015

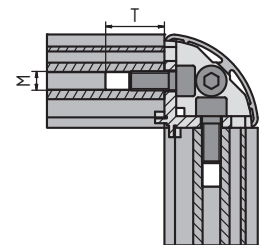
Corner angle 40



DESIGNATION	CAP COLOUR	SLOT	ESD	(Nm)	ARTICLE NUMBER
Corner angle 40		8		60 Nm	282310001
Corner angle 40 including 3 M8 × 20 screws (ISO 7380)		8		60 Nm	282310012
Corner angle 40 including 3 M8 × 20 screws (ISO 7380) and square cap	black	8		60 Nm	282310013
Corner angle 40 including 3 M8 × 20 screws (ISO 7380) and round cap,	black	8		60 Nm	282310014
Corner angle 40 including 3 M8 × 20 screws (ISO 7380) and 45° cap,	black	8		60 Nm	282310015
Corner angle 40 including 3 M8 × 20 screws (ISO 7380) and square cap	traffic grey RAL7042	8		60 Nm	282310016
Corner angle 40 including 3 M8 × 20 screws (ISO 7380) and round cap,	traffic grey RAL7042	8		60 Nm	282310017
Corner angle 40 including 3 M8 × 20 screws (ISO 7380) and 45° cap,	traffic grey RAL7042	8		60 Nm	282310018
Round cap,	black				282310009
Square cap,	black				282310010
Square cap,	traffic grey RAL7042				282310011
45° cap,	black				282310008
Round cap,	traffic grey RAL7042	8		60 Nm	282310019

Machining of corner angles

Profile	20 × 20	30 × 30	40 × 40
Thread (M)	M5	M6	M8
Depth (T)	25 mm	25 mm	25 mm

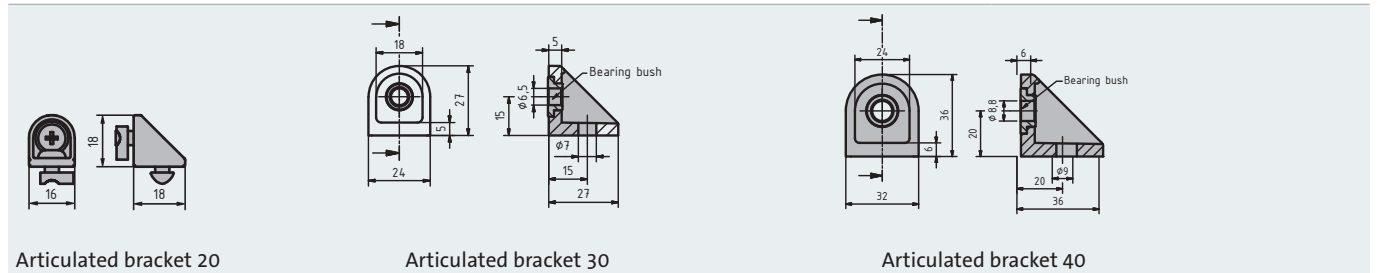
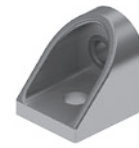


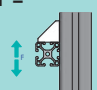


Articulated brackets

Links two aluminium profiles at various angles.
The bearing bush ensures unrestricted rotation even when mounted.

Material: Die-cast zinc

Note: To install the ESD-ready brackets, use a notched slot nut in order to make a conductive link.



DESIGNATION	DRILL HOLE	F = 	ARTICLE NUMBER
Articulated bracket 20, aluminium coloured with M5 slot 5 slot nut, 1x M5 x 8 screw (ISO7380), 1x M5 x 10 flanged fillister head screw, 1x bearing bush			252311006
Articulated bracket 30, uncoated 	for M6 screw	800 N	202311001
Articulated bracket 30, aluminium coloured	for M6 screw	800 N	202311003
Articulated bracket 40, uncoated 	for M8 screw	1500 N	202311002
Articulated bracket 40, aluminium coloured	for M8 screw	1500 N	202311004
Set of articulated brackets 40, aluminium coloured, with 2x M8 x 18 screw (ISO7380), 2x washer (DIN125), 2x M8 slot nut	for M8 screw	1500 N	202311005

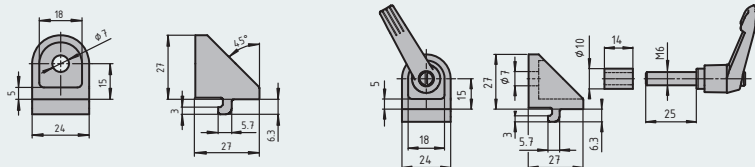
Clamping bracket

Simple and reliable link between intersecting profiles.

Bracket with clamping lever for variable use.

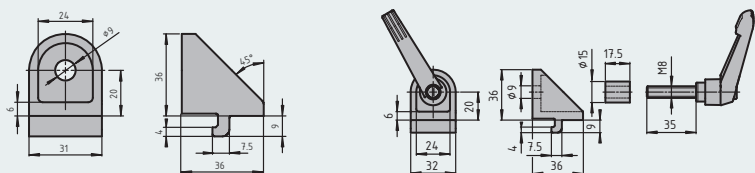
Sets to any angle.

Material: Aluminium coloured die-cast zinc



Clamping bracket 30

Clamping bracket 30 with clamping lever



Clamping bracket 40

Clamping bracket 40 with clamping lever

DESIGNATION	SLOT	F1 =	F2 =	ARTICLE NUMBER
Clamping bracket 30	6			262311500
Clamping bracket 30 with clamping lever	6			262311501
Clamping bracket 40	8			282311502
Clamping bracket 40 with clamping lever	8			282311503

Slot 8 mitre connectors



For 90° to 270° mitre joints.

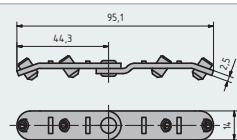
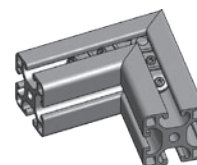
The connectors slip into the profile slot on the left and right.

The grub screws are at an angle to the profile section and press the two profile towards each other when the connector is pressed in.

Note: Use two connectors for every joint to create a stable link.

Material: Galvanised steel

Mounting: No profile machining required.

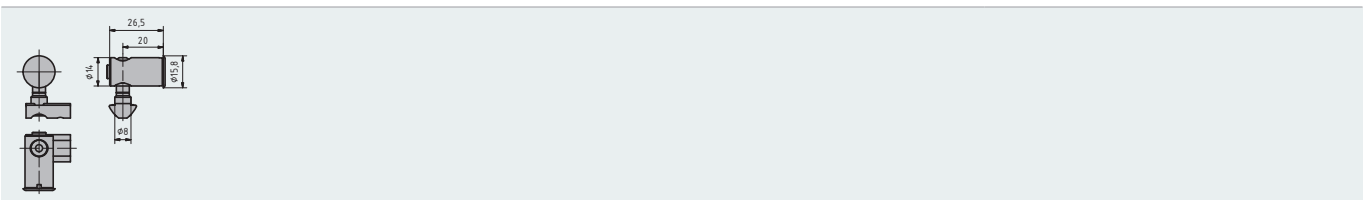


DESIGNATION	SLOT	ARTICLE NUMBER
Mitre connector	8	282312001

Mitre connector set

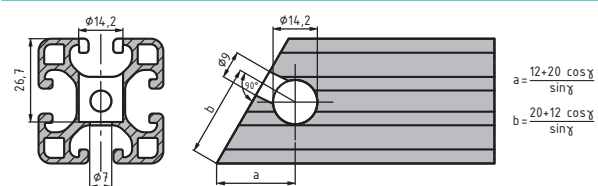
Profile connector for any angle from 30° to 90°. The connector installs on the profile's side face. Leave the profile slot free to install surface elements.

Material: Mounting material: Galvanised steel
Cap: plastic (PP)



DESIGNATION	SLOT	FMAX	MMAX	ARTICLE NUMBER
Mitre connector set	8	1000 N	80 Nm	282313001

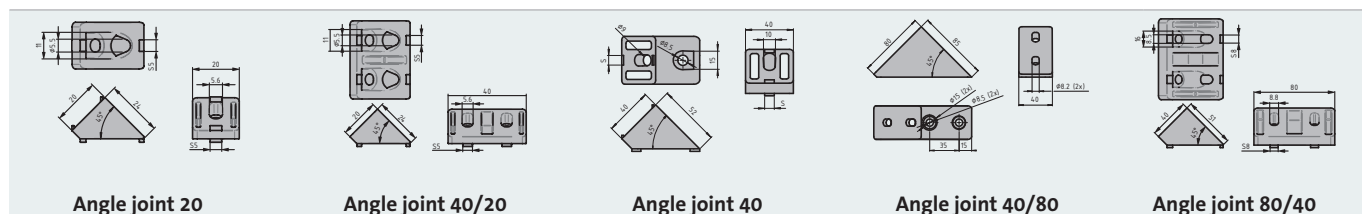
Machining of mitre connector set D14.2T26.7+9

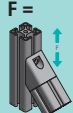







Angle joint

Easily links two aluminium profiles at a 45° angle using a M8 screw.

Note: To install the ESD-ready brackets, use a notched slot nut in order to make a conductive link.



DESIGNATION	SLOT	MATERIAL	F = 	ARTICLE NUMBER
Angle joint 20 45°	5	Uncoated die-cast zinc 		252655007 new
Angle joint 20 45°	5	Aluminium coloured die-cast zinc		252655008 new
Angle joint 40/20 45°	5	Uncoated die-cast zinc 		252655005 new
Angle joint 40/20 45°	5	Aluminium coloured die-cast zinc		252655006 new
Angle joint 40 45°	8	Uncoated die-cast zinc 	1500 N	282655001
Angle joint 40 45°	8	Aluminium coloured die-cast zinc	1500 N	282655002
Angle joint 40/80 45°	8	Uncoated die-cast zinc 	3000 N	282655003
Angle joint 40/80 45°	8	Aluminium coloured die-cast zinc	3000 N	282655004
Angle joint 80/40 45°	8	Uncoated die-cast zinc 		282655009 new
Angle joint 80/40 45°	8	Aluminium coloured die-cast zinc		282655010 new

Angle element

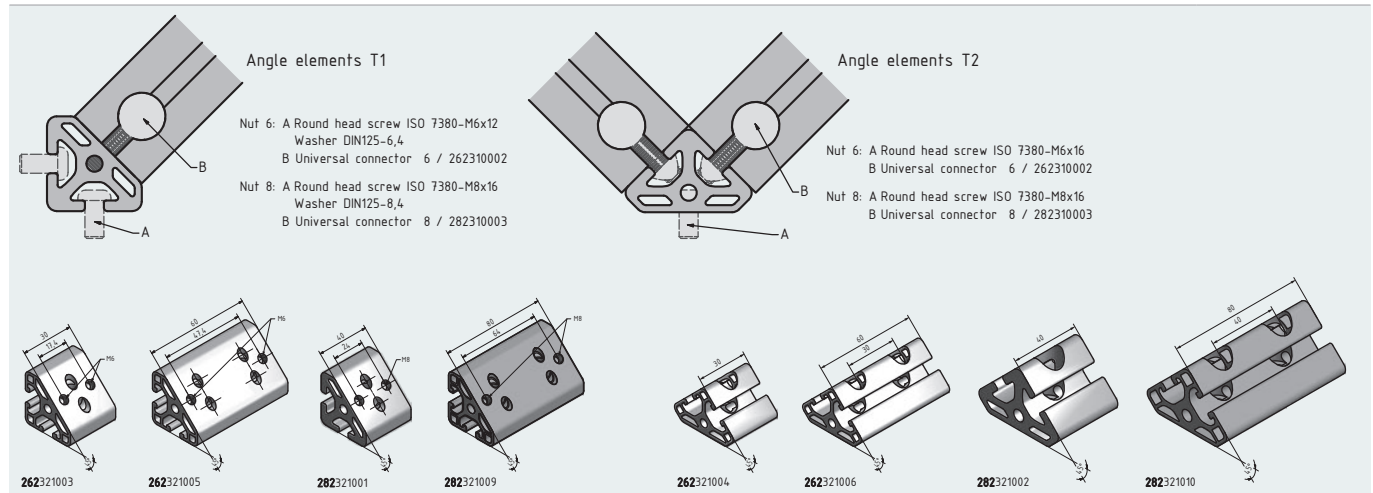


Connecting element for mounting a profile at a 45° angle when building intersections or trusswork. Use the angle element with a universal connector.

Use caps Slot 6 30 × 30, 45°, art. no. 261005024 or Slot 8 40 × 40, 45°, art. no. 281005013 / ESD-ready, art. no. 281005033 (→ see page 3|6) to cover the angle elements.

Material: Anodised aluminium

Note: Use a notched slot nut to ensure that the connection is ESD-ready.



DESIGNATION	SLOT	ARTICLE NUMBER
Angle element T1-30	6	262321003
Angle element T1-60	6	262321005
Angle element T1-40	8	282321001
Angle element T1-80	8	282321009
Angle element T2-30	6	262321004
Angle element T2-60	6	262321006
Angle element T2-40	8	282321002
Angle element T2-80	8	282321010

Steel angle

Links two aluminium profiles at a right angle.

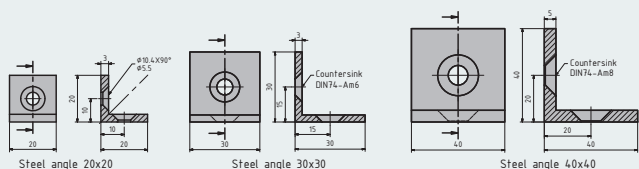
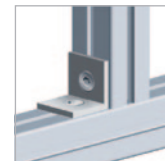
Note: To install the ESD-ready angles, use a notched slot nut in order to make a conductive link.

Mounting material On-site construction:

Angle 20: M5 × 8 countersunk screw (DIN7991) (402150205), M5 slot 5 slot nut (252200136)

Angle 30: M6 × 10 countersunk screw (DIN7991) (402150200), M6 slot 6 slot nut (262200103)

Angle 40: M8 × 14 countersunk screw (DIN7991) (402150204), M8 slot 8 slot nut (282200115)



DESIGNATION	MATERIAL	F _{MAX}	M _{MAX}	ARTICLE NUMBER
Bracket 20 × 20	Black powder coated steel	600 N	15 Nm	402700005
Bracket 30 × 30	Steel, blue galvanised ⚠	1000 N	25 Nm	402700002
Bracket 30 × 30	Black powder coated steel	1000 N	25 Nm	402700003
Bracket 40 × 40	Steel, blue galvanised ⚠	1500 N	50 Nm	402700001
Bracket 40 × 40	Black powder coated steel	1500 N	50 Nm	402700004

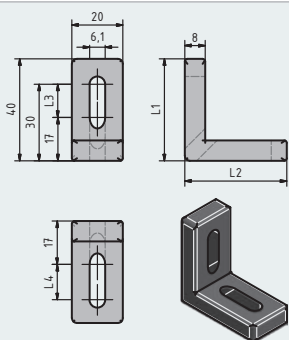
Mounting angle

Variable angles for mounting components.

Oblong holes provide a wide range of position and angle adjustment.

Use up to M6 screws to attach them.

Material: Black die-cast zinc

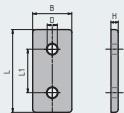
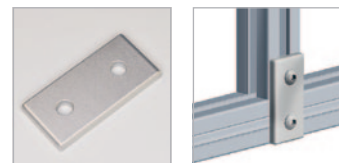


DESIGNATION	L1 (mm)	L2 (mm)	L3 (mm)	L4 (mm)	ARTICLE NUMBER
Mounting angle	40	40	13	13	202350100
Mounting angle	60	40	33	13	202350101
Mounting angle	60	60	33	33	202350102
Mounting angle	80	40	53	13	202350103

Tie plate

Links two aluminium profiles.

Note: To install the ESD-ready tie plates, use a notched slot nut in order to make a conductive link.

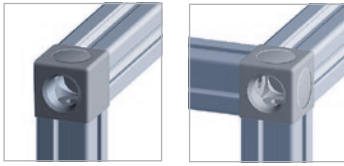


DESIGNATION	B	H	D	L	L1	RECOMMENDED SCREW SIZE	ARTICLE NUMBER
Tie plate 20 × 40 mm; Black powder coated steel	20	3	5.5	40	20	Art. no.: 402150032	402650011 new
Tie plate 20 × 40 mm; Nickel-plated aluminium, matt	18	4	5.5	38	20	Art. no.: 402150032	402650008
Tie plate 20 × 80 mm; Nickel-plated aluminium, matt	18	5	5.5	78	20	M6 × 8 (ISO7380)	402650009
Tie plate 30 × 60 mm; Nickel-plated aluminium, matt	27	5	7	57	30	Art. no.: 402150012	482650005
Tie plate 30 × 60 mm; Black powder coated	30	3	Countersink DIN74-Am6	60	30	Art. no.: 402150200	482650001
Tie plate 30 × 60 mm; galvanised steel	30	3	11	60	30	Art. no.: 402150011	482650002
Tie plate 40 × 80 mm; Nickel-plated aluminium, matt	36	6	9	76	40	Art. no.: 402150016	402650006
Tie plate 40 × 80 mm; Black powder coated	40	5	Countersink DIN74-Am8	80	40	Art. no.: 402150209	402650004
Tie plate 40 × 80 mm; galvanised steel	40	5	Countersink DIN74-Am8	80	40	Art. no.: 402150209	402650003
Tie plate 40 × 120 Black powder coated	40	5	Countersink DIN74-Am8	120	80	Art. no.: 402150209	402650010

Tie plate loads

ARTICLE NUMBER	SIZE	F ₁ (N)	F ₂ (N)
402650008	20 × 40	250 N	300 N
402650009	20 × 80	350 N	400 N
482650005	30 × 60	400 N	550 N
482650001	30 × 60	700 N	800 N
482650002	30 × 60	700 N	800 N
402650006	40 × 80	800 N	1000 N
402650004	40 × 80	850 N	900 N
402650003	40 × 80	850 N	900 N
402650010	40 × 120	850 N	900 N

Cube connector



Links up to three aluminium profiles at a right angle; use the caps to cover the holes.

Cube connector material: Die-cast aluminium

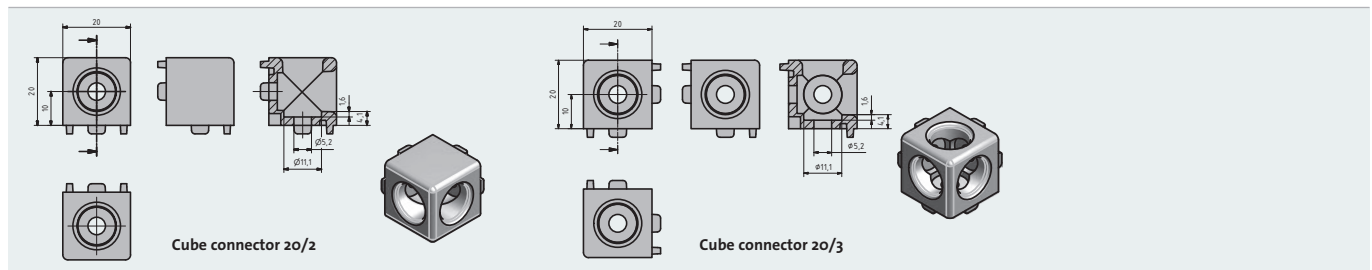
Cap material: Plastic (PE)

Mounting material WV20: M5 × 14 pan head screw (ISO7380)

Mounting material WV40: M8 × 25 countersunk screw (DIN7991)

Note: The caps in the sets are not ESD-ready.

Cube connector 20

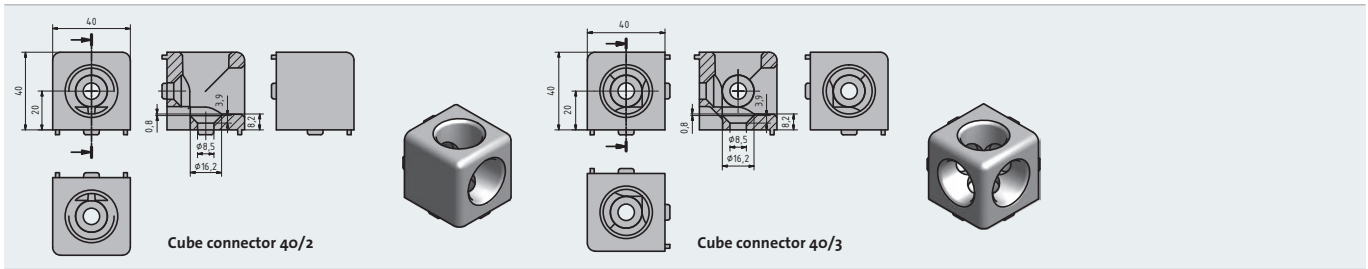


DESIGNATION	SLOT	ESD	ARTICLE NUMBER
Cube connector 20/2, uncoated aluminium, 2 black PE caps and mounting kit included	5		252656003
Cube connector 20/2, silver coated aluminium, 2 silver PE caps and mounting kit included	5		252656001
Cube connector 20/3, uncoated aluminium, 3 black PE caps and mounting kit included	5		252656004
Cube connector 20/3, silver coated aluminium, 3 silver PE caps and mounting kit included	5		252656002
Black cap for cube connector 20			402525103
Silver cap for cube connector 20			402525203

Cube connector 20 loads

TYPE	LOAD
Cube connector 20/2	15 Nm
Cube connector 20/3	18 Nm

Cube connector 40



DESIGNATION	SLOT	ESD	ARTICLE NUMBER
Cube connector 40/2, uncoated aluminium, 2 black PE caps included	8		282656003
Cube connector 40/2, uncoated aluminium, 2 black PE caps and mounting kit included	8		282656005
Cube connector 40/2, silver coated aluminium, 2 silver PE caps and mounting kit included	8		282656007
Cube connector 40/3, uncoated aluminium, 3 black PE caps included	8		282656004
Cube connector 40/3, uncoated aluminium, 3 black PE caps and mounting kit included	8		282656006
Cube connector 40/3, silver coated aluminium, 3 silver PE caps and mounting kit included	8		282656008
Black cap for cube connector 40			412525105
Silver cap for cube connector 40			412525205

Cube connector 40 loads

TYPE	LOAD
	50 Nm
	50 Nm

Profile connector

Links the face ends of two aluminium profiles without having to modify them.

To create a particularly stable link: One profile connector per slot

Package includes mounting material

Material: Galvanised steel



DESIGNATION	SLOT	ARTICLE NUMBER
Slot 8 profile connector, galvanised steel, 4x M6 thread	8	282656000

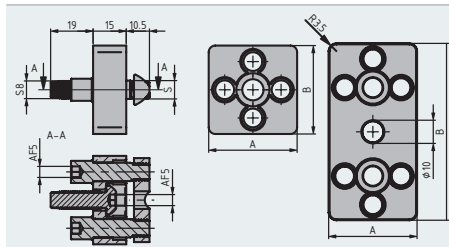
T connector

new

Creates a T connection between two aluminium profiles.

Material: Uncoated die-cast zinc

Mounting kit: Galvanised steel



DESIGNATION	A × B (mm)	SLOT	ARTICLE NUMBER
T connector, 1 × S7 × 25 screw included, slot 8 M8 double slot nut, 2 headless M8 screws	40 × 40	8	282652030
T connector, 1 × S7 × 25 screw included, slot 8 M8 double slot nut, 2 headless M8 screws	40 × 80	8	282652031
T connector, 2 × S7 × 25 screw included, slot 8 M8 double slot nut, 2 headless M8 screws	40 × 80	8	282652032

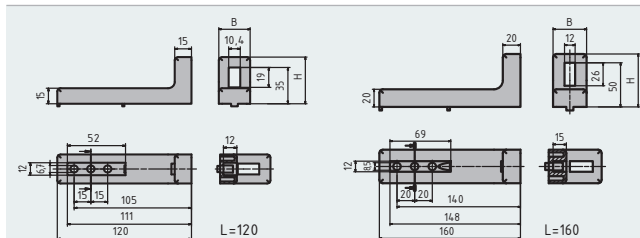
Height-adjustable floor angle

Creates a height-adjustable link between aluminium profiles and the floor.

Package includes the adjustment screw and threaded plate.

Material: Die-cast zinc

Note: To install the ESD-ready floor angles, use a notched slot nut in order to make a conductive link.



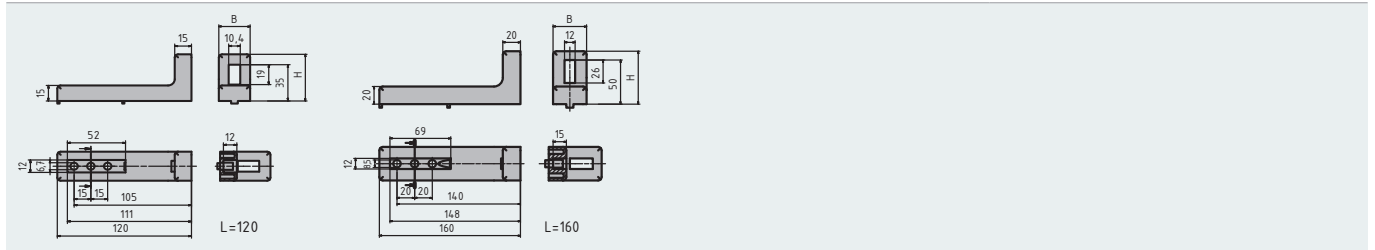
DESIGNATION	L × H × W	SLOT	MATERIAL	F _{MAX}	ARTICLE NUMBER
Height-adjustable floor angle	120 × 45 × 28 mm	6	uncoated	2500 N	262146100
Height-adjustable floor angle	120 × 45 × 28 mm	6	black powder coated	2500 N	262146101
Height-adjustable floor angle	120 × 45 × 28 mm	8	uncoated	2500 N	282146102
Height-adjustable floor angle	120 × 45 × 28 mm	8	black powder coated	2500 N	282146103
Height-adjustable floor angle	160 × 60 × 38 mm	8	uncoated	5500 N	282146104
Height-adjustable floor angle	160 × 60 × 38 mm	8	black powder coated	5500 N	282146105

Floor angle w/o height adjustment

Creates a stable link between aluminium profiles and the floor.

Material: Die-cast zinc

Note: To install the ESD-ready floor angles, use a notched slot nut in order to make a conductive link.

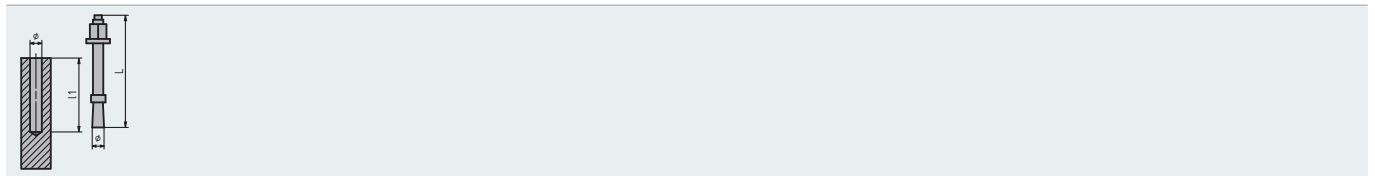


DESIGNATION	L × H × W	SLOT	MATERIAL	F _{MAX}	ARTICLE NUMBER
Floor angle	120 × 45 × 28 mm	6	uncoated	2500 N	262146200
Floor angle	120 × 45 × 28 mm	6	black powder coated	2500 N	262146201
Floor angle	120 × 45 × 28 mm	8	uncoated	2500 N	282146202
Floor angle	120 × 45 × 28 mm	8	black powder coated	2500 N	282146203
Floor angle	160 × 60 × 38 mm	8	uncoated	5500 N	282146204
Floor angle	160 × 60 × 38 mm	8	black powder coated	5500 N	282146205

Floor dowel

Anchors base plates, floor angles etc.

Material: Galvanised steel; transparent chromate coating

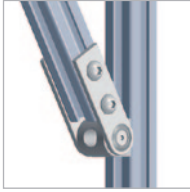


DESIGNATION	ø	L	h	AF	Thread (DMXL)	ARTICLE NUMBER
Floor dowel FBN8/10-23	8	80 mm	65 mm	13	M8 × 39	402526560
Floor dowel FBN10/10-23	10	90 mm	70 mm	17	M10 × 46	402526561
Floor dowel FBN II 12/50	12	146 mm	125 mm	19	M12 × 99	402526562

JOINTS



Page 5|2
Joint

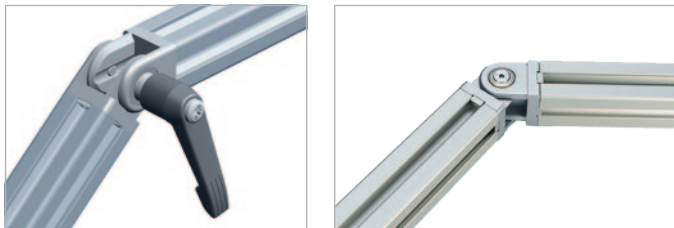


Page 5|4
Support arm joint



Page 5|5
Angle locking
bracket

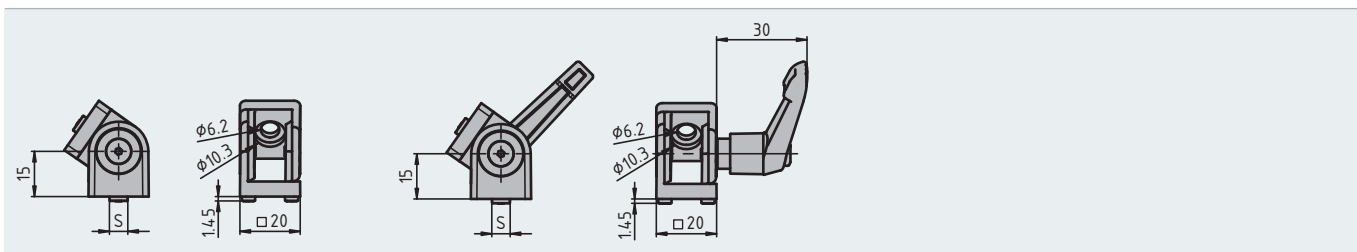
Joint



Joint with adjustable friction. Creates an articulated link between two profiles or surface elements; use the screw to infinitely vary the joint's friction resistance or to fasten the joint at a defined position.

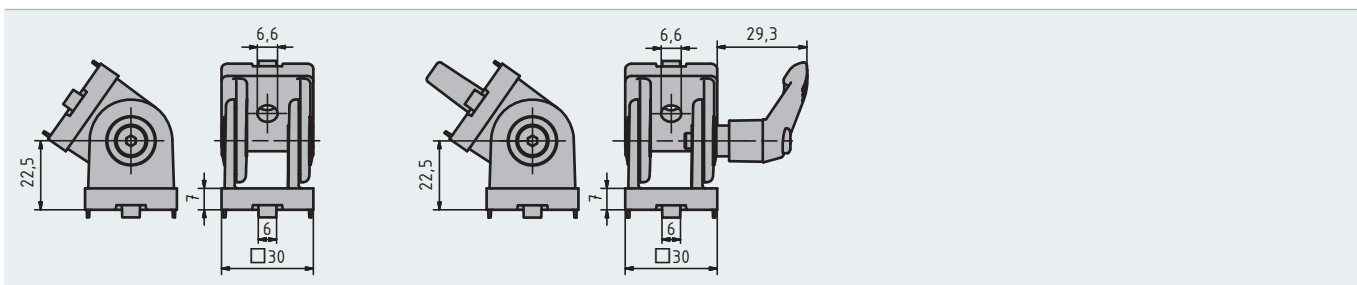
Note: On-site mount

Joint 20



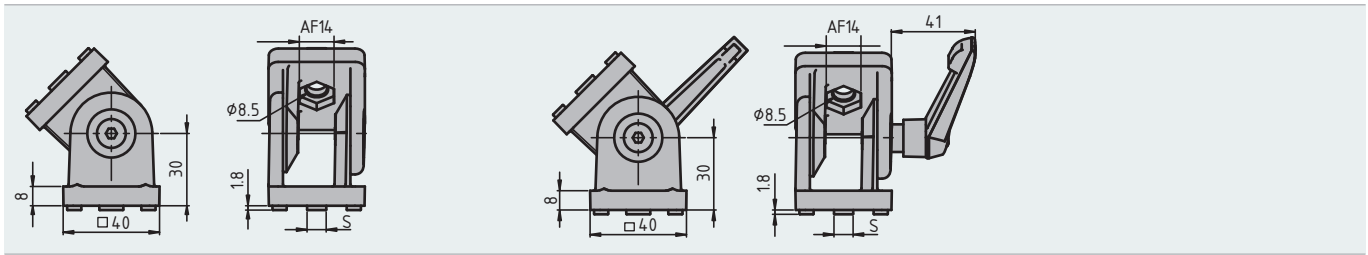
DESIGNATION	SLOT	MATERIAL	ARTICLE NUMBER
Joint 20	5/6	Aluminium coloured die-cast aluminium	204500601
Joint 20 with clamping lever	5/6	Aluminium coloured die-cast aluminium	204500602

Joint 30



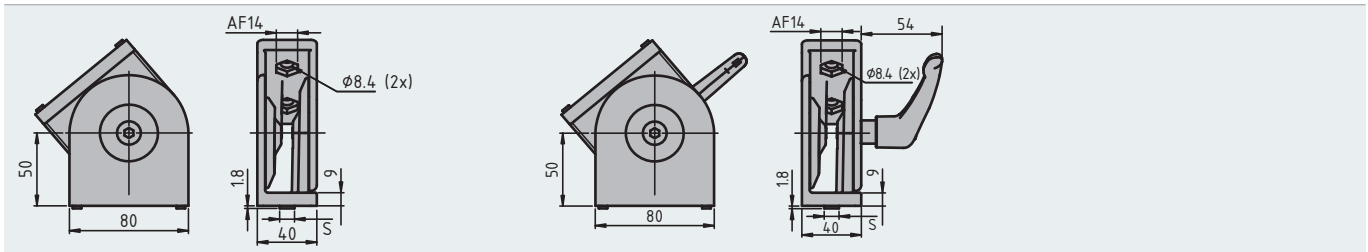
DESIGNATION	SLOT	MATERIAL	ARTICLE NUMBER
Joint 30	6	Aluminium coloured die-cast zinc	264500603
Joint 30 with clamping lever	6	Aluminium coloured die-cast zinc	264500600

Joint 40



DESIGNATION	SLOT	MATERIAL	ARTICLE NUMBER
Joint 40	8	Aluminium coloured die-cast zinc	204532235
Joint 40 with clamping lever	8	Aluminium coloured die-cast zinc	204500604

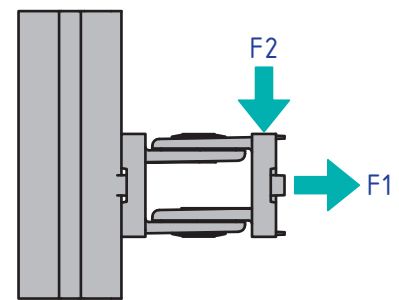
Joint 40 × 80



DESIGNATION	SLOT	MATERIAL	ARTICLE NUMBER
Joint 40 × 80	8	Aluminium coloured die-cast zinc	204500605
Joint 40 × 80 with clamping lever	8	Aluminium coloured die-cast zinc	204500606

Joint loads

	F ₁ (N)	F ₂ (N)
Joint 20	500	200
Joint 30	6,000	500
Joint 40	10,000	800
Joint 40 × 80	15,000	1,000



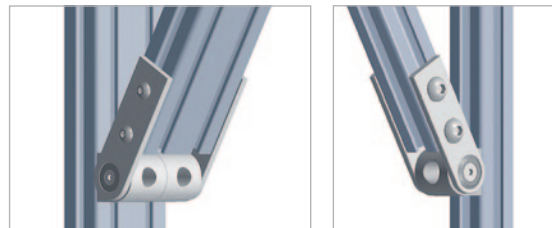
Max. holding torque with tightened clamping lever: 5 Nm

Support arm joint

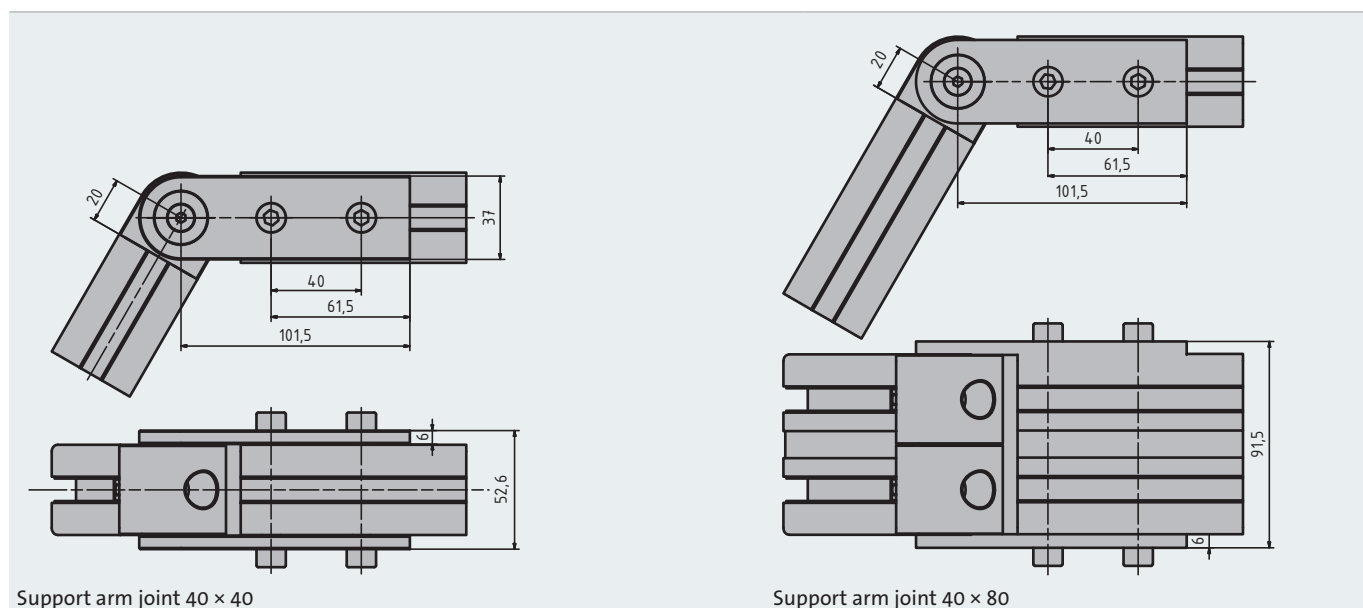
Creates a pivoting connection between profile ends e.g. to build support arms.

Material: Aluminium coloured die-cast aluminium

Mounting material: on-site



Recommended screw size (40 × 40):	Recommended screw size (40 × 80):
4× M8 × 16 (art. no.: 402150016)	4× M8 × 16 (art. no.: 402150016)
4× M8 slot nut N10 (art. no.: 282200127)	4× M8 slot nut N10 (art. no.: 282200127)
1× M8 × 30 (art. no.: 402150019)	2× M8 × 30 (art. no.: 402150019)



Support arm joint 40 × 40

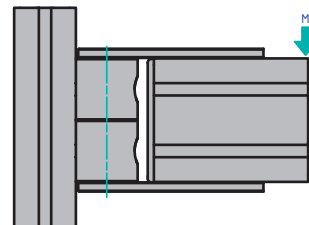
Support arm joint 40 × 80

DESIGNATION	SLOT	ARTICLE NUMBER
Support arm joint 40 × 40	8	284532206
Support arm joint 40 × 80	8	284532207

Support arm joint loads

	M (Nm)
Support arm joint 40 × 40	100
Support arm joint 40 × 80	200

$M_{max} = F \times L$



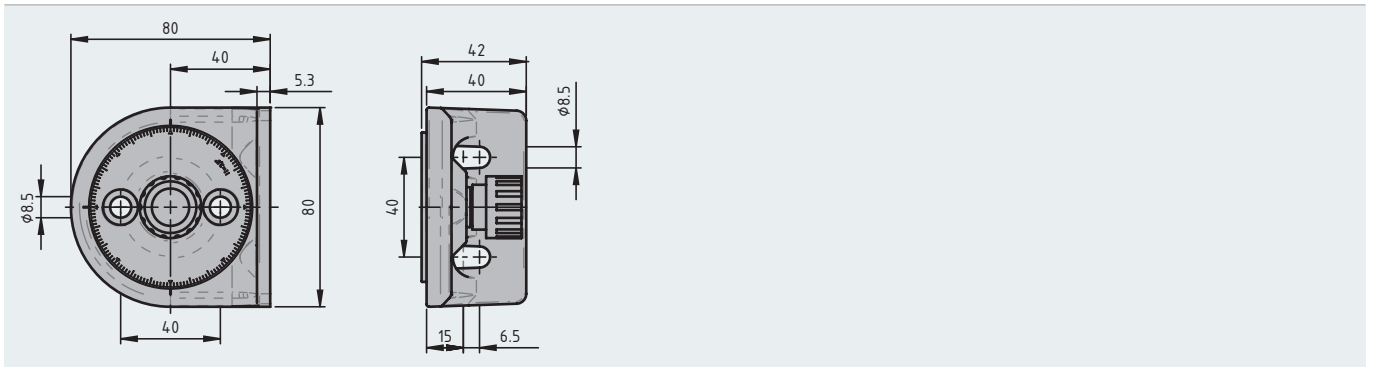
Angle locking bracket 8

Angle locking bracket 80 × 40 is the ideal element for connecting adjustable equipment. It allows you to set up and easily adapt ergonomic work places. The teeth create a positive fitting connection.

The bracket is easy to adjust. Loosening the knurled nut lifts the pressure disc out of the serration and you can easily move the bracket without any tools. The teeth fasten the bracket with positive fit and allow it to carry high loads. The tilt angle adjusts in steps of 2.5°.

Material: Aluminium coloured die-cast aluminium

Mounting material: included



5

DESIGNATION	SLOT	ARTICLE NUMBER
Angle locking bracket set 80 × 40	8	282652000

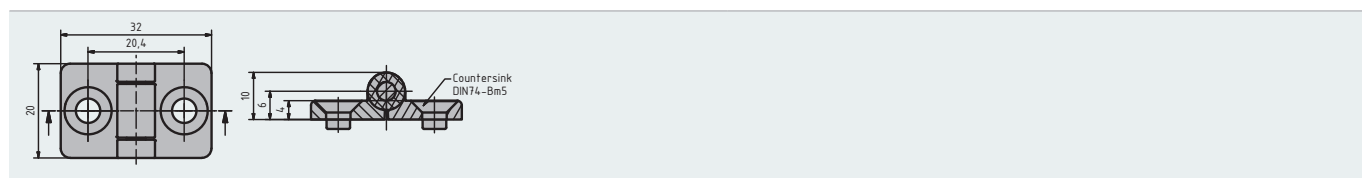
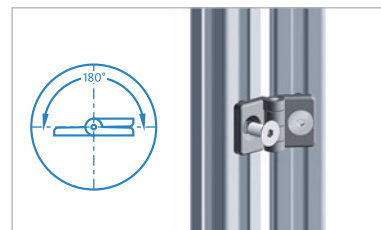
DOOR FITTINGS

					
Page 6 2 Mini plastic hinge 20	Page 6 2 Plastic hinge, not unHINGING	Page 6 3 UnHINGING plastic hinge	Page 6 3 Plastic hinge w/ clamping lever	Page 6 4 Plastic hinge, unHINGING, slot 8	Page 6 6 Combination hinge of die-cast aluminium
					
Page 6 6 Hinge system with latch/friction	Page 6 8 Inside hinge	Page 6 9 Light-duty metal hinge	Page 6 9 Light-duty aluminium hinge 40	Page 6 10 Hinge of die-cast zinc	Page 6 10 Bow handle
					
Page 6 11 Handle AL	Page 6 12 Machine handle	Page 6 12 Grab system	Page 6 13 Handle bar profile	Page 6 13 Door lock	Page 6 14 Compact door lock
					
Page 6 15 Door lock PROe	Page 6 17 Emergency opener	Page 6 17 Bar	Page 6 18 Ball catch	Page 6 19 Magnetic catch	Page 6 19 Sliding door guide channel set
					
Page 6 20 Guide channel set for lift gates	Page 6 20 Guide channel set for lift gates and sliding doors	Page 6 21 Coupling set 8	Page 6 21 Door stop	Page 6 22 Magnetic door stop	Page 6 22 Door latch

Mini plastic hinge 20; slot 5

On-site mount: by M5 × 10 countersunk screw and M5 slot 5 slot nut

Material: Wing: Plastic (PA), fibreglass-reinforced
Pin: Stainless steel



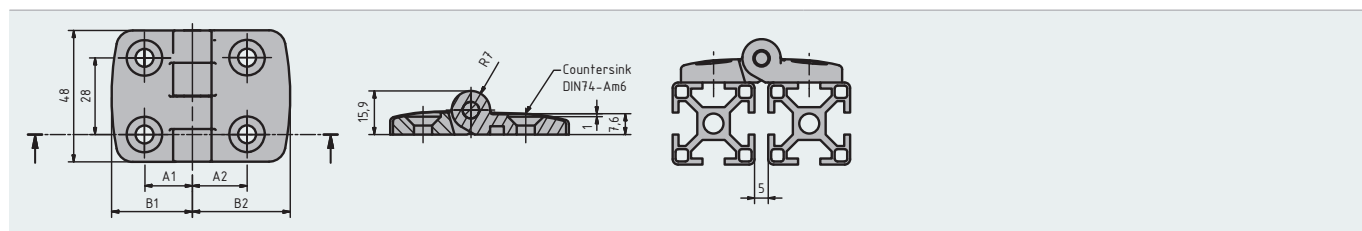
DESIGNATION	SLOT	FAMAX (N)	FRMAX (N)	ARTICLE NUMBER
Mini plastic hinge 20	5	240	300	202600014

Plastic combination hinge, no unHINGING

For surface elements and aluminium profiles

Material: Wing = plastic (PA), fibreglass-reinforced
Pin = stainless steel

On-site mount: M6 × 12 or M6 × 16 countersunk screw and slot nuts at the front



DESIGNATION	A1 / A2	B1/B2	FAMAX (N)	FRMAX (N)	ARTICLE NUMBER
Plastic combination hinge 30 × 30	17.5 / 17.5 mm	29.5	450	700	402600004
Plastic combination hinge 30 × 40	17.5/22.5 mm	29.5/38.5	450	750	402600005
Plastic combination hinge 40 × 40	22.5/22.5 mm	38.5	450	750	402600002
Plastic combination hinge 45 × 45	25.0/25.0 mm	43.5/43.5	325	800	402600013

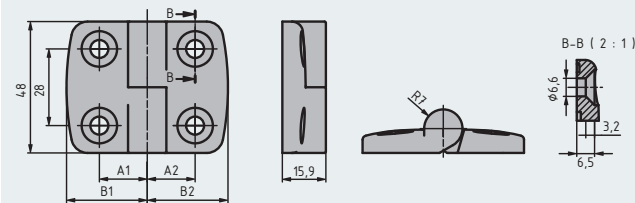
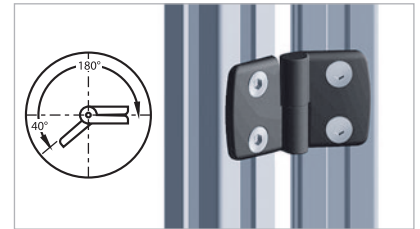
Plastic combination hinge, unHINGING

For surface elements and aluminium profiles

Material: Wing = plastic (PA), fibreglass-reinforced

Pin = stainless steel

On-site mount: M6 × 12 or M6 × 16 countersunk screw and slot nuts at the front



DESIGNATION	UNHINGING	A1 / A2	B1/B2	FAMAX (N)	FRMAX (N)	ARTICLE NUMBER
Plastic combination hinge 40 × 40	Left	22.5/22.5 mm	38.5	400	800	402600001
Plastic combination hinge 40 × 50	Left	22.5/27.5 mm	38.5/48.5	350	800	402600008
Plastic combination hinge 40 × 60	Left	22.5/32.5 mm	38.5/57.5	240	800	402600009
Plastic combination hinge 45 × 45	Left	25.0/25.0 mm	43.5/43.5	325	800	402600012
Plastic combination hinge 30 × 40	Right	17.5/22.5 mm	29.5/38.5	350	800	402600006
Plastic combination hinge 40 × 40	Right	22.5/22.5 mm	38.5	350	800	402600003
Plastic combination hinge 40 × 45	Right	22.5/25.0 mm	38.5/43.5	350	800	402600007
Plastic combination hinge 40 × 60	Right	22.5/32.5 mm	38.5/57.5	240	800	402600010
Plastic combination hinge 45 × 45	Right	25.0/25.0 mm	43.5/43.5	325	800	402600011

Plastic hinge with clamping lever

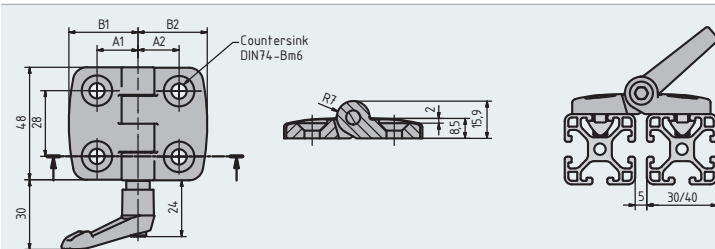
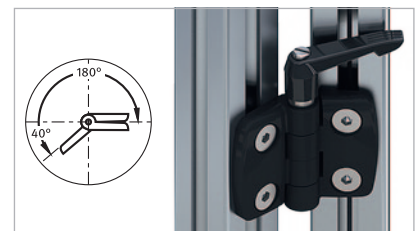
For surface elements and aluminium profiles; can be locked at any point.

Material: Hinge & clamping lever: Plastic (PA), fibreglass-reinforced

Mechanism: Galvanised steel (RoHS-compliant)

Colour: Hinge: black powder coated

On-site mount: by M6 countersunk screw at the front



DESIGNATION	A1 (mm)	A2 (mm)	B1 (mm)	B2 (mm)	FAMAX (N)	FRMAX (N)	ARTICLE NUMBER
Hinge 30 × 30	17.5	17.5	29.5	29.5	400	700	402601200
Hinge 40 × 40	22.5	22.5	38.5	38.5	450	750	402601201

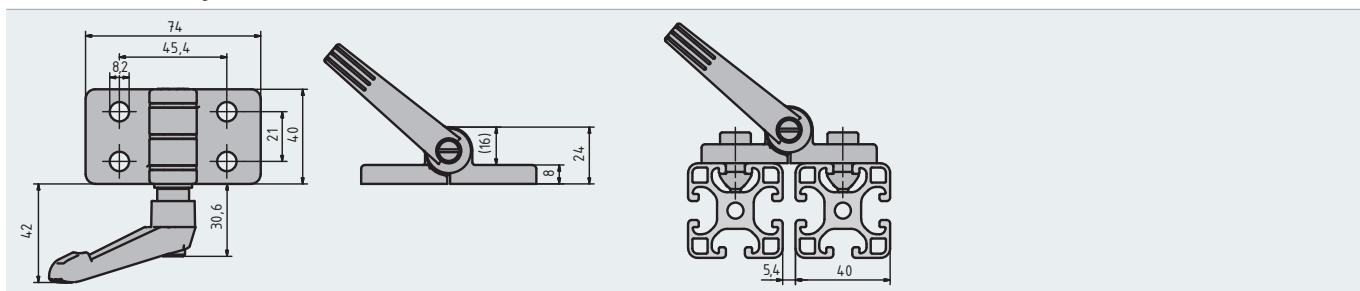
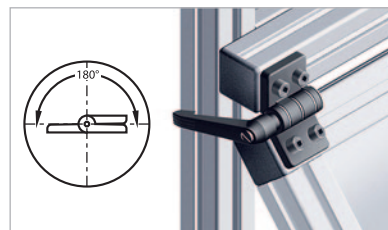
Combination hinge with clamping lever

For surface elements and aluminium profiles; can be locked at any point.

Material: Hinge: Die-cast zinc
Clamping lever: Plastic (PA), fibreglass-reinforced
Mechanism: Galvanised steel (RoHS-compliant)

Colour: black powder coated

On-site mount: by M8 countersunk screw at the front

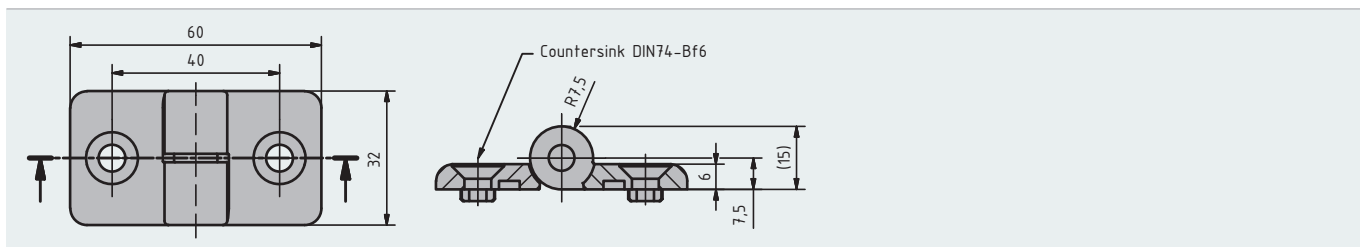
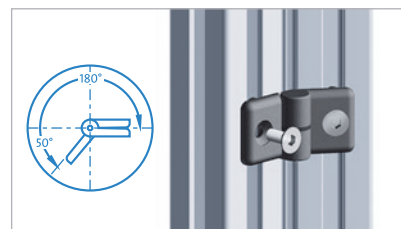


DESIGNATION	FAMAX (N)	FRMAX (N)	ARTICLE NUMBER
Hinge 40 × 40	650	1500	402601300

Plastic hinge 32 × 60, unhinging, slot 8

On-site mount: by M6 × 16 countersunk screw and M6 slot 8 slot nut at the front

Material: Wing: Plastic (PA), fibreglass-reinforced
Pin: Stainless steel

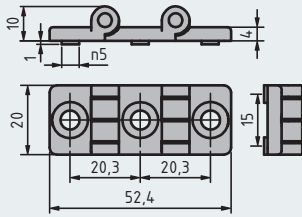


DESIGNATION	SLOT	FAMAX (N)	FRMAX (N)	ARTICLE NUMBER
Plastic hinge, left	8	100	200	282600011
Plastic hinge, right	8	100	200	282600012

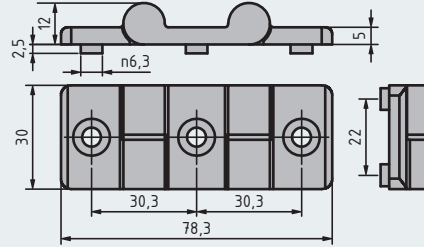
Plastic double hinge

On-site mount: by M6 × 16 countersunk screw and M6 slot 8 slot nut

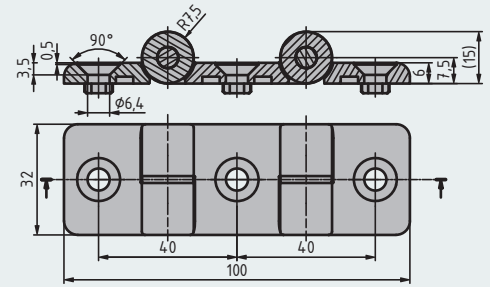
Material: Wing: Plastic (PA), fibreglass-reinforced
Pin: Stainless steel



Slot 5



Slot 6



Slot 8

DESIGNATION	SLOT	FAMAX (N)	FRMAX (N)	ARTICLE NUMBER
Plastic double hinge	5			252600014
Plastic double hinge	6			262600015
Plastic double hinge	8	100	200	202600013

Combination hinge of die-cast aluminium

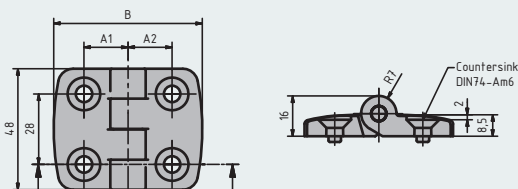
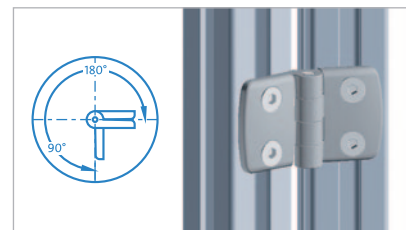


For surface elements and aluminium profiles

Material: Wing: Die-cast aluminium; pin: Stainless steel

On-site mount: by M6 × 12 or M6 × 16 countersunk screws and slot nuts at the front

Mounting instruction: ESD-ready only if using notched slot nuts.



DESIGNATION	A1 / A2	B	F _{MAX} (N)	F _{RMAX} (N)	ARTICLE NUMBER
Combination aluminium hinge 30.30,	17.5 mm	59	225	325	202535640
Combination aluminium hinge 40.40,	22.5 mm	77	250	400	202535644
Combination aluminium hinge 50.50,	27.5 mm	97	250	400	202535646
Combination aluminium hinge 60.60,	32.5 mm	115	100	400	202535648

Hinge system with catch

For surface elements and aluminium profiles; with cap. Catch keeps doors and flaps open at 85° or 175° or reliably shut.

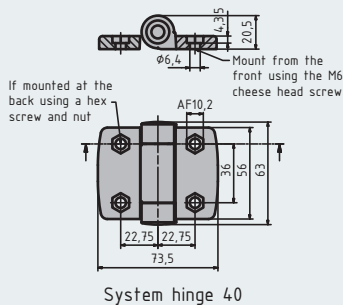
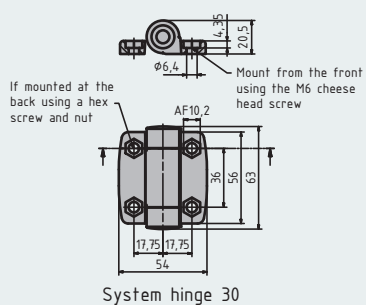
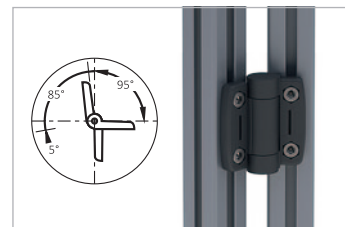
Material: Housing = plastic (PA), fibreglass reinforced;
Pin = stainless steel

On-site mount:

Mount, slot 6: 4 × M6 × 12 cheese head screw (DIN6912)
4 × slot nut, art. no.: 262200109

Mount, slot 8: 4 × M6 × 14 cheese head screw (DIN6912)
4 × hammer head nut, art. no.: 282200500

Colour: black



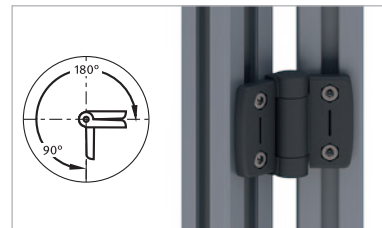
DESIGNATION	SLOT	F _{MAX} (N)	F _{RMAX} (N)	ARTICLE NUMBER
Hinge system 30 with catch	6	350	400	402601150
Hinge system 40 with catch	8	425	600	402601151

Hinge system with adjustable friction

For surface elements and aluminium profiles; catch holds doors and flaps at any angle.

Infinitely adjustable at 0–5 Nm torque; can also be used to lift lightweight flaps.

Material: Wing = plastic (PA), fibreglass reinforced;
Pin = stainless steel

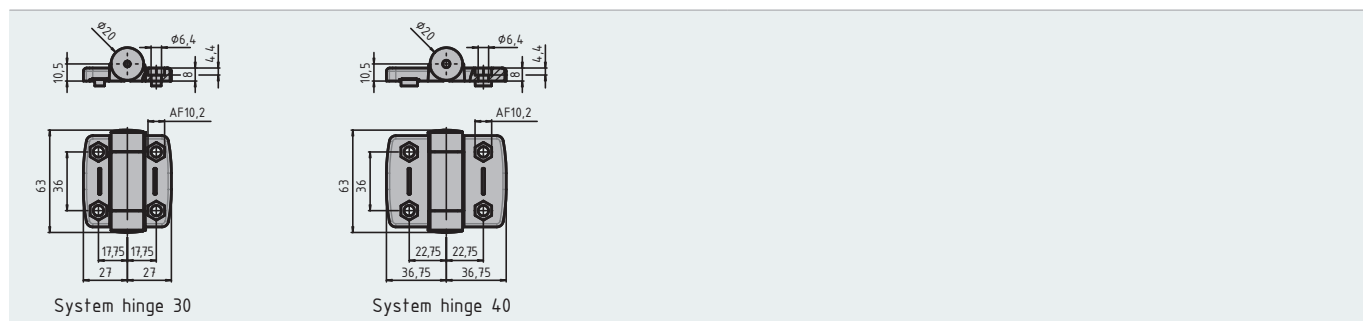


On-site mount

Slot 6 mount: 4× M6 × 12 cheese head screw (DIN6912)
4× slot nut, art. no.: **262200109**

Mount, slot 8: 4× M6 × 14 cheese head screw (DIN6912)
4× hammer head nut, art. no.: **282200500**

Colour: black



6

DESIGNATION	SLOT	FRICTION TORQUE (NM)	FAMAX (N)	FRMAX (N)	ARTICLE NUMBER
Hinge system 30 with adjustable friction	6	0-5	325	400	402601180
Hinge system 40 with adjustable friction	8	0-5	425	600	402601181

Inside hinge element

For surface elements and aluminium profiles. Lets you create your own combination of inside hinges.

To build a complete hinge: 2 x wing; 1 x pin, 2 x cap

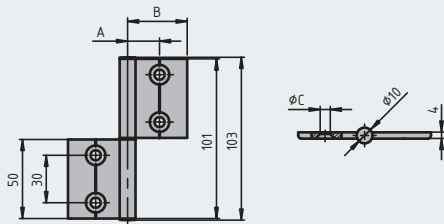
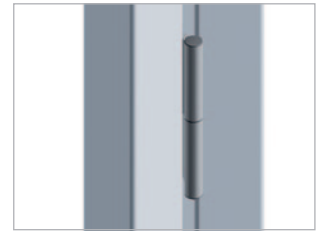
Material: Wing = anodised aluminium;

Pin = stainless steel

On-site mount: by M6 x 10 – M6 x 16 countersunk screw, slot 6

M6 and slot 8 M6 slot nut

Mounting instruction: ESD-ready only if using notched slot nuts.



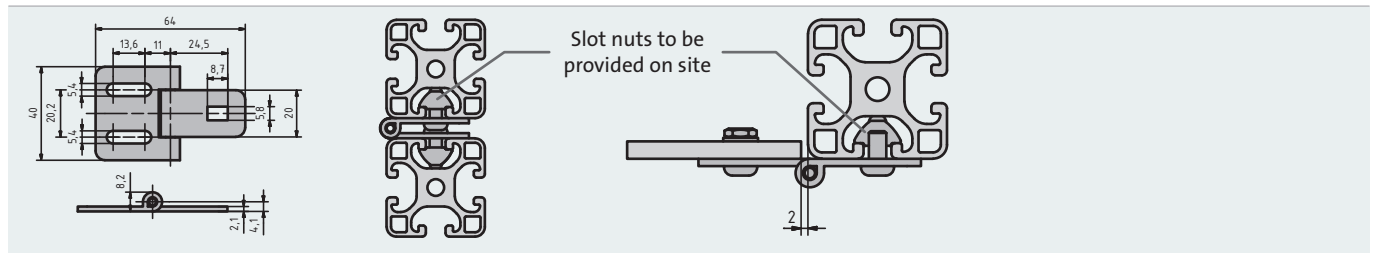
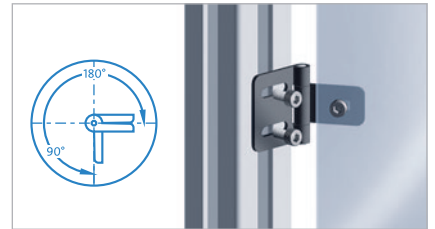
DESIGNATION	MATERIAL	WING	A=	B=	C=	FAMAX (N)	FRMAX (N)	ARTICLE NUMBER
Inside hinge	Anodised aluminium	20	14.5 mm	22.0 mm	5.3	150	100	202600015
Inside hinge	Anodised aluminium	25	17.5 mm	28.0 mm	6.4	150	100	202600016
Inside hinge	Anodised aluminium	30	19.5 mm	32.0 mm	6.4	150	100	202600017
Inside hinge	Anodised aluminium	40	25.0 mm	42.0 mm	6.4	150	100	202600018
Inside hinge	Anodised aluminium	45	27.0 mm	47.0 mm	6.4	150	100	202600019
Inside hinge	Anodised aluminium	50	29.5 mm	52.0 mm	6.4	150	100	202600020
Inside hinge	Anodised aluminium	60	34.5 mm	62.0 mm	6.4	150	100	202600021
Pin	Stainless steel							202600022
Cap	Plastic							202600023

Light-duty metal hinge – no unhinging

For surface elements and aluminium profiles.
Optional adjustment by the oblong holes make this hinge fit for slot rows 5–8.
Once mounted, the surface element pivots by 180°.

Mounting material included:

- 3 M5 × 8 screws (ISO 7380),
- 1 M5 × 16 screw (DIN 903),
- 1 M5 nut (DIN 934),
- 1 5.3 washer (DIN 125) - black galvanised (RoHS-compliant)



DESIGNATION	MATERIAL	FAMAX (N)	FRMAX (N)	ARTICLE NUMBER
Light-duty metal hinge	Black powder coated steel	250	75	202600024

6

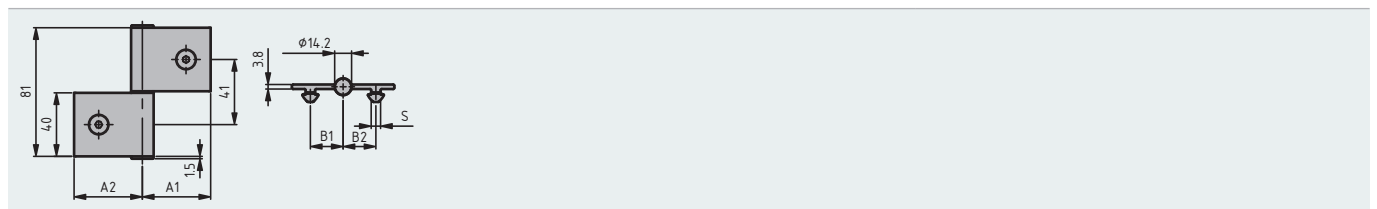
Light-duty aluminium hinge 40



Installs in very small door gaps.
Unhinging; slot 8

- Material:** Wing: Anodised aluminium
- Pin: Uncoated stainless steel
- Cap: Plastic (PA), fibreglass reinforced, white aluminium (RAL9006)

Mounting material includes countersunk screws (DIN7991) and M6 slot 8 slot nuts



DESIGNATION	N	A1 (mm)	A2 (mm)	B1 (mm)	B2 (mm)	WEIGHT (g)	FAMAX (N)	FRMAX (N)	ARTICLE NUMBER
Light-duty aluminium hinge 40 (set)	8	43	43	27.5	27.5	106	200 N	200 N	202600030
Cap for aluminium hinge, white aluminium (RAL9006)									202600031

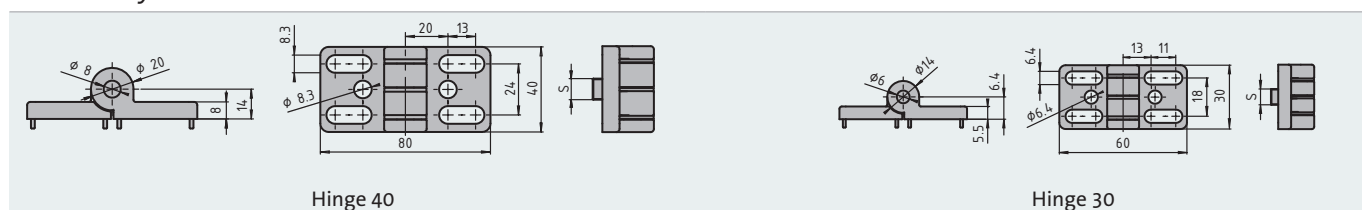
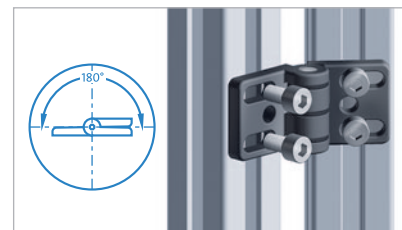
Die-cast zinc hinge with oblong holes – no unHINGING

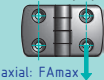

Directly links to frameless surface elements and, by creating an articulated link between two profiles, allows surfaces with frames to connect to the base frame. No unHINGING.

Material: Wing: Die-cast zinc with a black powder coat
Pin: Stainless steel

On-site mount

Note: Use a notched slot nut to ensure that the connection is ESD-ready.



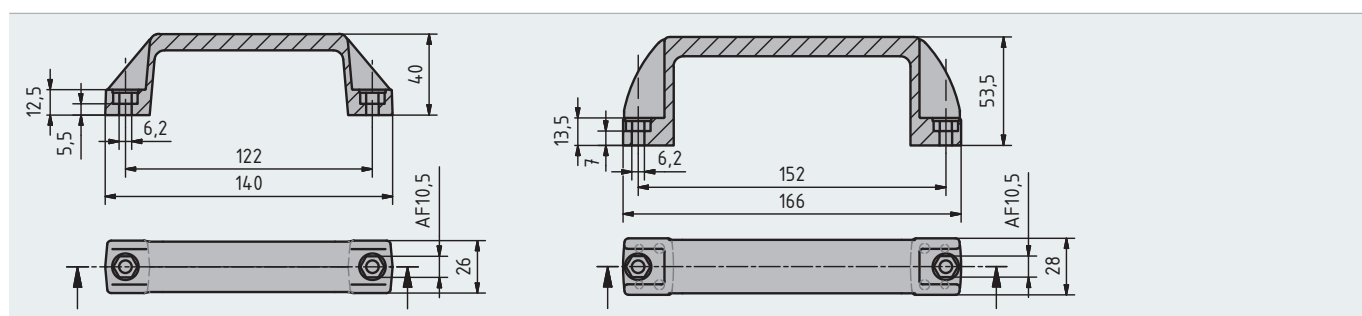
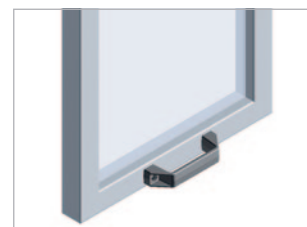
DESIGNATION	SLOT	FAMAX (N)	FRMAX (N)	ARTICLE NUMBER
				
Hinge 30	6	250	1000	282600027
Hinge 30	6	350	1000	262600026
Hinge 40	8	500	1200	282600025
Hinge 40 with clamping lever	8	500	1200	282600028 new

Bow handle

Mounts on doors, flaps and aluminium profiles.

Material: Plastic (PA), fibreglass reinforced

On-site mount: by cheese head screw at the front and screw/nut at the back



DESIGNATION	DIMENSIONS (mm)	ARTICLE NUMBER
Bow handle	26 × 40 × 140	402750001
Bow handle	28 × 53.5 × 166	402750002

Handle

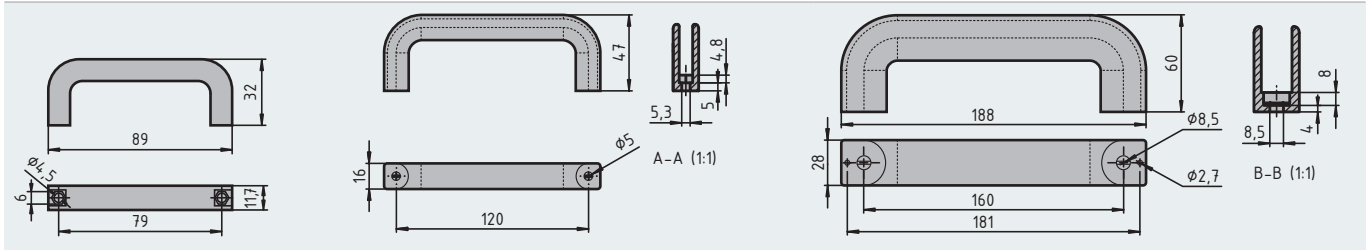
Mounts on doors, flaps and aluminium profiles.

Material: Plastic (PA), fibreglass reinforced

Colour: black (ask for other colours)

On-site mount: by cheese head screw at the front and screw/nut at the back

Cap: Clips on to the handle



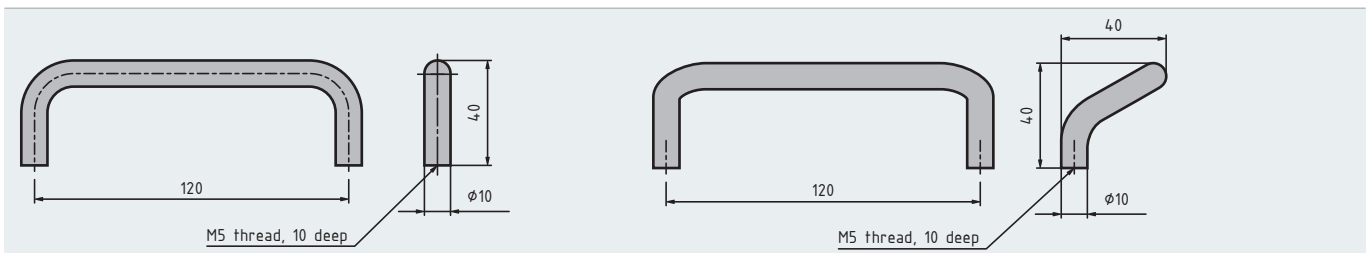
DESIGNATION	ARTICLE NUMBER
Handle PA 80	402750014
Handle PA 120	402750010
Cap for handle PA120	402750011
Handle PA 160	402750012
Cap for handle PA160	402750013

Handle AL

Stable aluminium handles

Use the bent variant to minimise the risk of crushing.

For sliding and swing doors



DESIGNATION	ARTICLE NUMBER
Handle AL120	402750100
Handle AL120, bent	402750101
Mounting kit for handle AL120, 2 lugs 120 GD-ZN, 2 M5 × 10 countersunk screws (DIN7991)	402750102

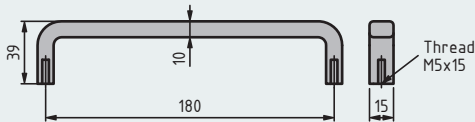
Light-duty handle AL

Slim aluminium handle.

For general use.

Material: Anodised aluminium

On-site mount: concealed M5 screws at the back



DESIGNATION

Light-duty handle AL

ARTICLE NUMBER

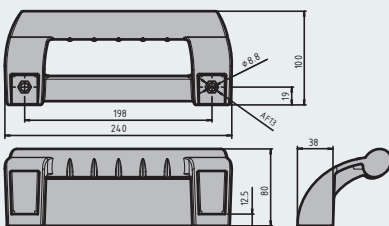
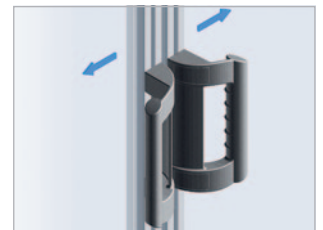
402651100

Machine handle

Ergonomic shape and safety shield; mounts on doors, flaps and aluminium profiles.

Material: Plastic (PA), glass bead-reinforced

On-site mount



DESIGNATION

Machine handle 240 with caps for M8 screw

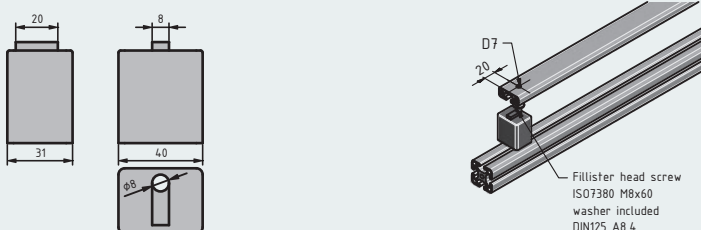
ARTICLE NUMBER

402651001

Handle system

Use the base element to make your own handles. A particularly good choice is profile 8 40 × 16 E because you can use handles of any length. Gives extra strength to the door construction.

Material: Black plastic (PA)



DESIGNATION

Base element

SLOT

8

WEIGHT (g)

26.0

ARTICLE NUMBER

282750100

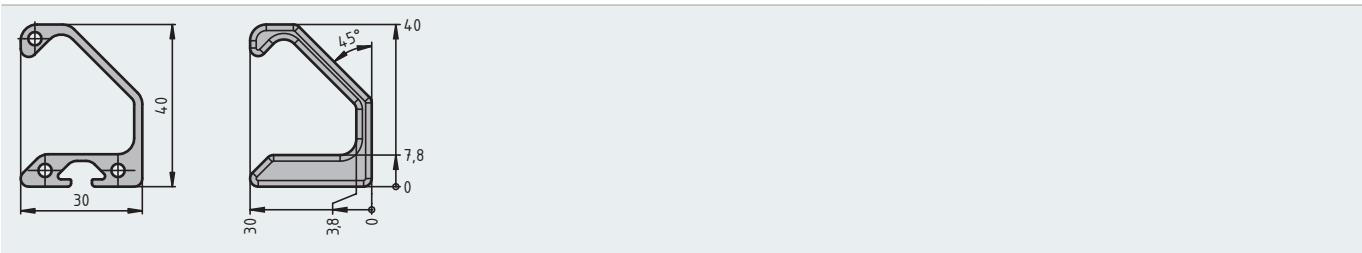
Natural colour handle bar profile



Handle bar profile for general use on swing and sliding doors, drawers etc.
The ergonomic profile protects the hand against injury.
The handle bar profile will give extra stability to surface elements it is attached to.

Material: Handle bar profile: Anodised aluminium
Caps: Black plastic (PA), fibreglass reinforced

Mounting instruction: ESD-ready only if using notched slot nuts.



DESIGNATION	SLOT	LENGTH	ARTICLE NUMBER
Handle bar profile	5	10 × 3000 mm	251000000
Cut handle bar profile	5	max...3000 mm	251000999
Set of caps for handle bars, T = 4 mm			251000100

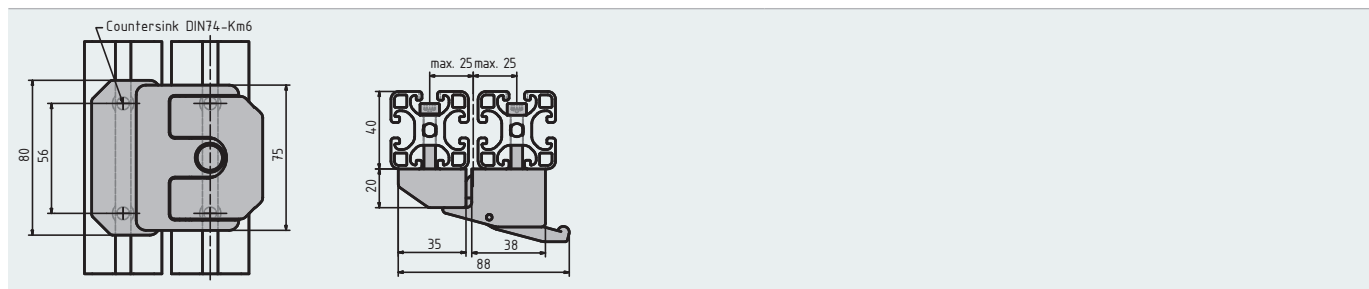
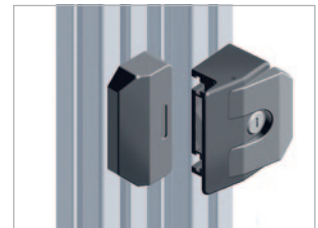
6

Door lock

Easily and reliably locks doors and flaps.
Use the integrated ergonomic handle to open.
Closes smoothly.

Mount: M6 screw at the back

Material: Die-cast zinc with a black powder coat



DESIGNATION	L=	ARTICLE NUMBER
Door lock keyed alike (identical keys for all locks)	88 mm	405530352
Door lock, w/o lock, w/ dummy plug	88 mm	405530300
Individually keyed door lock (random choice of key)	88 mm	405530353

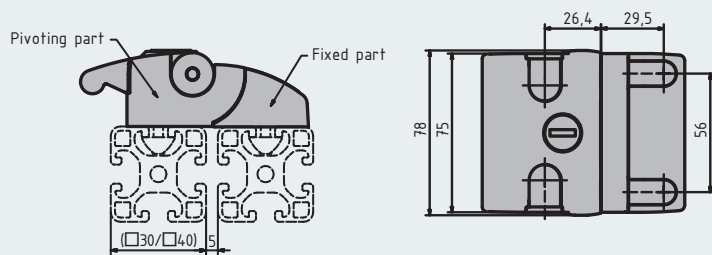
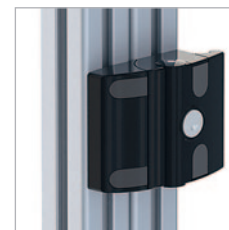
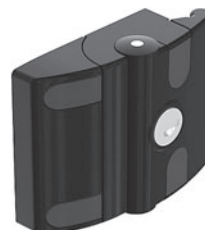
Compact door lock

Easily and reliably locks doors and flaps.
Installs without drilling or other mechanical means.
Secured against disassembly when closed.

Material: Die-cast aluminium

Surface: black powder coated

Extras: Upon request, the door locks are available with aluminium coloured powder coat.



DESIGNATION	N	ARTICLE NUMBER
Keyed alike compact door lock	8 and 10	405530301
Individually keyed compact door lock	8 and 10	405530303

Compact double door lock

Easily and reliably locks doors and flaps. Installs without mechanical means; secured against disassembly when closed.

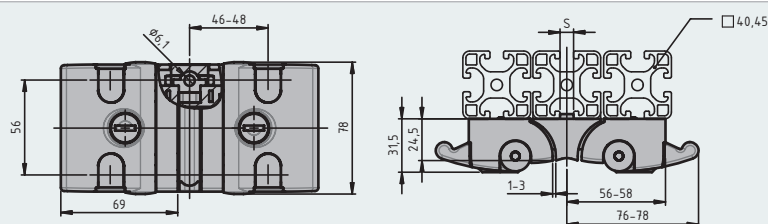
Selective access by using a single post.

With separate slot fasteners for slot 8 and slot 10

Material: Die-cast aluminium

Surface: black powder coated

Mount: by M6 cheese head or fillister head screw at the front



DESIGNATION	SLOT	Lock (*)	WEIGHT (g)	ARTICLE NUMBER
Compact double door lock	6 / 8	alike	448.0	405530304
Compact double door lock	6 / 8	individual	448.0	405530305

* alike (identical keys for all locks)
individual (separate key for every door lock)

Combinations of matching size		
Posts	C =	40
Door frames	D1 D2 =	30/40

Door lock PROe

Everything in hand. Door lock PROe with safety function.

Secures safety doors and flaps up to Cat. 4/PLe.

Fashionable, systematic design

Perfect choice for aluminium profiles

PROe is a multifunctional door handle which secures and monitors guards such as doors and flaps of machines and systems.

It consists of a handle and a locking module fitted with the tried and tested transponder-coded CES safety equipment supplied by EUCHNER. Using the transponder technology ensures a top safety level in conformity with EN ISO 13849-1

(Cat.4/PLe) and demands that everything is absolutely manipulation-proof.

The on-board CES AR data processor supports up to 20 PROe units connected in series.

PROe features two obviously placed LEDs for status indication and fast diagnosis. Its compact and symmetrical design makes mounting on profiles easy and supports the use on doors hinged either on the left or right. The industry-standard metal housing has a stable door stop and is perfectly fit for use in rugged environments.

An M12 connector ensures convenience of hooking up.

Turn it by 180° to accommodate for differently routed cables. A lock protects PROe against being opened unintentionally.

Your benefits:

Easy and flexible installation without mechanical effort

Lock for protection against unintended machine standstill

Sturdy metal housing for rugged ambient conditions

On-board transponder-coded safety equipment for top-level safety (Cat.4/PLe)



Door lock PROe

Easily and reliably locks doors and flaps; installs without mechanical effort; secured against disassembly when closed.

Eight-pin M12 connector for doors hinged on the left or right; connector outlet at the top or bottom;

24 V system voltage;

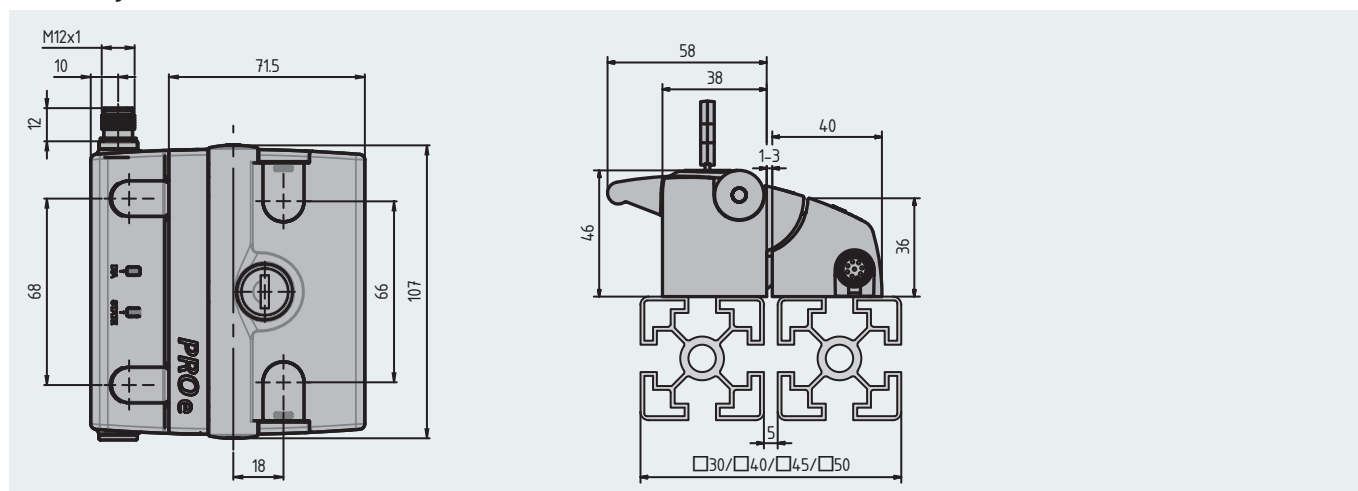
UL-certified; tested to B6;

safety category 4; PLe

Material: Die-cast aluminium

Surface: black powder coated

Mount: by M6 cheese head or fillister head screw at the front



DESIGNATION	LOCK	WEIGHT (g)	ARTICLE NUMBER
Door lock PROe unicode	Alike	380.0	405530450

Matching connector hardware:

DESIGNATION	DESIGN	ARTICLE NUMBER
Short-circuit plug	M12, 4-pin, male	405530400
M12 Y junction with connecting lead	M12, 1 × 8-pin; 2 × 5-pin	405530401
Y junction	M12, 1 × 8-pin; 2 × 5-pin	405530402
PVC connecting lead; 8-pin; open-ended cable	M12; 5 m	405530403
PVC connecting lead; 8-pin; open-ended cable	M12; 10 m	405530404
PVC connecting lead; 8-pin; open-ended cable	M12; 20 m	405530405

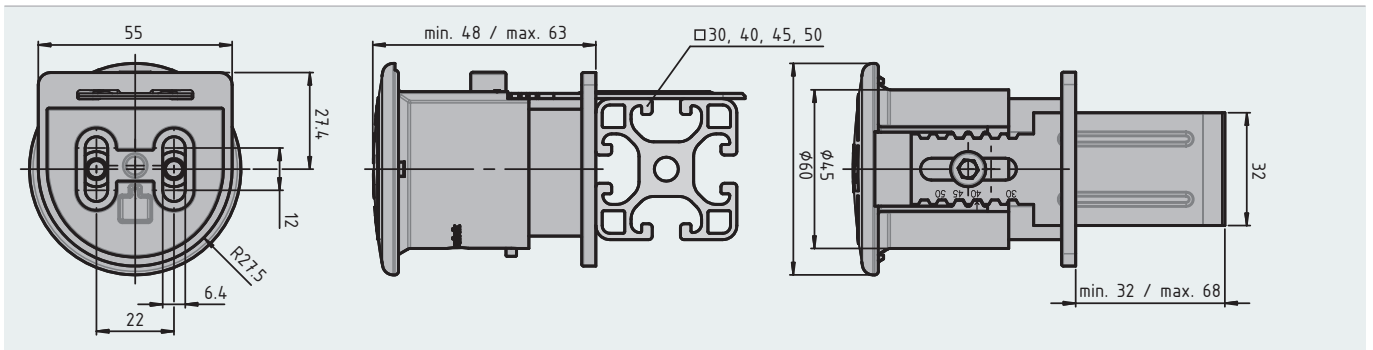
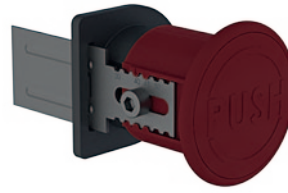
Emergency door lock opener

Emergency release at the back of the Compact catch lock.
Matches profiles 30,40,45 and 50

Material: Base body and push-button: Plastic (PA6),
fibreglass-reinforced
Unlocking bar: Steel

Colour: Base body: black
Push-button: red

Mount: by two M6 × 20 cheese head screws
(DIN 912) at the front

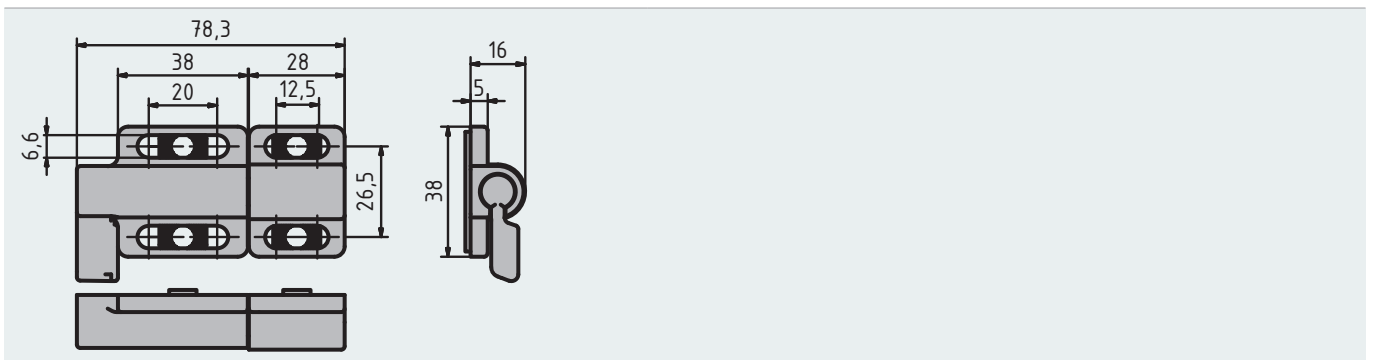


DESIGNATION	WEIGHT (g)	ARTICLE NUMBER
Emergency catch lock opener	110.8	405530302

Bar

Easily locks doors and flaps; with spring-assisted locking pin; separate slot locking included.

Material: Bar: Aluminium coloured die-cast zinc
Handle: plastic (PA)



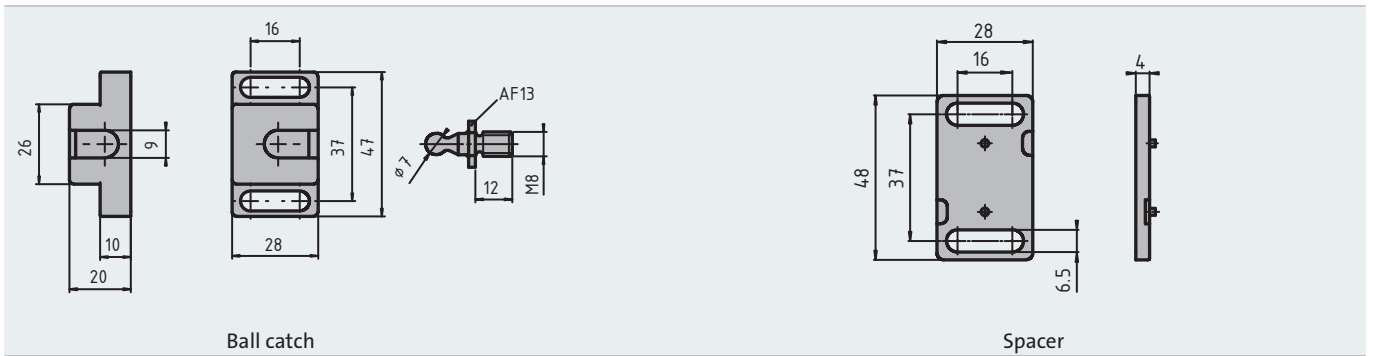
DESIGNATION	ARTICLE NUMBER
Bar 66 × 38 mm	405530002

Ball catch

Quick acting door opener;
adapts to the surface element thickness.

Mount: by M6 screw

Material: Black plastic (PA)



DESIGNATION	RETAINING SCREW	RETAINING SCREW	LOCKING FORCE	ARTICLE NUMBER
Light-duty ball catch	M8 × 12	Galvanised steel	~ 40 N	205610001
Light-duty ball catch	M8 × 12	Stainless steel	~ 40 N	205610002
Heavy-duty ball catch	M8 × 12	Stainless steel	~ 50 N	205610003
Heavy-duty ball catch	M8 × 12	Galvanised steel	~ 50 N	205610004
Ball catch spacer				205610100

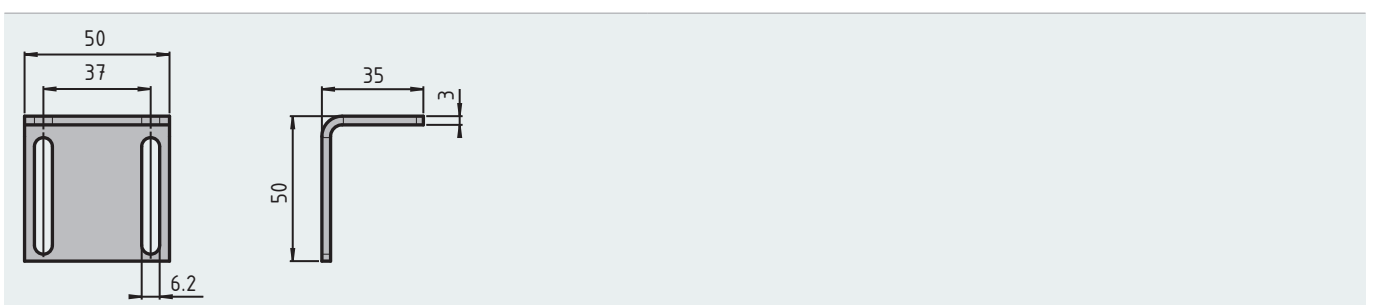
Ball catch mounting bracket



Lets you install the ball catch at any point.

Material: Galvanised steel

Mounting instruction: ESD-ready only if using notched slot nuts.



DESIGNATION	ARTICLE NUMBER
Ball catch mounting bracket	205610200

Magnetic catch

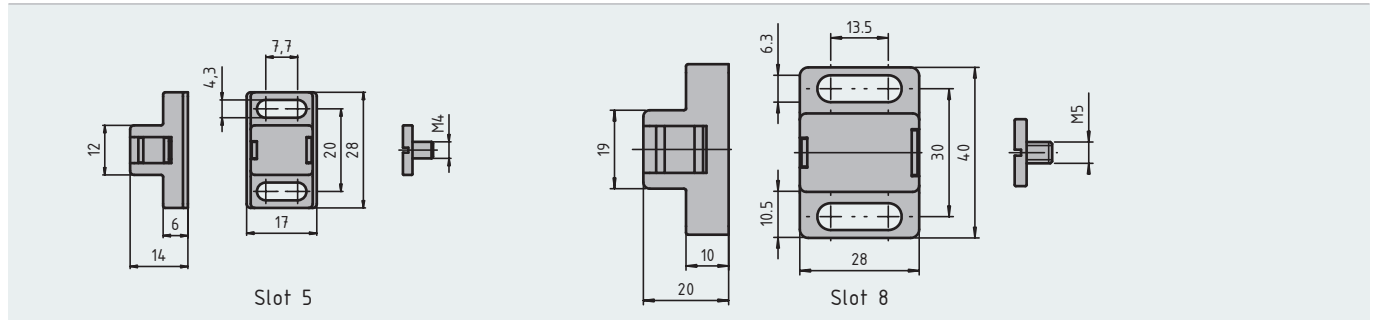
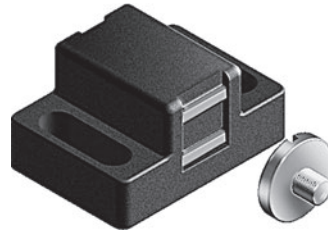
Easy closing of sliding and swing doors.

Adapts to the thickness of surface elements.

Material: Black plastic (PA), fibreglass-reinforced

Mount Slot 5: by M4 × 5 screw (DIN921), galvanised steel

Mount Slot 8: by M5 × 6 screw (DIN921), galvanised steel



DESIGNATION	SLOT	LOCKING FORCE	ARTICLE NUMBER
Magnetic catch	5	approx. 5 N (front) / 3 N (back)	255610500
Magnetic catch	8	approx. 20 N (front) / 10 N (back)	285610501

6

Slot 8 guide channel set for sliding doors

Guides the door in profile slot 8.

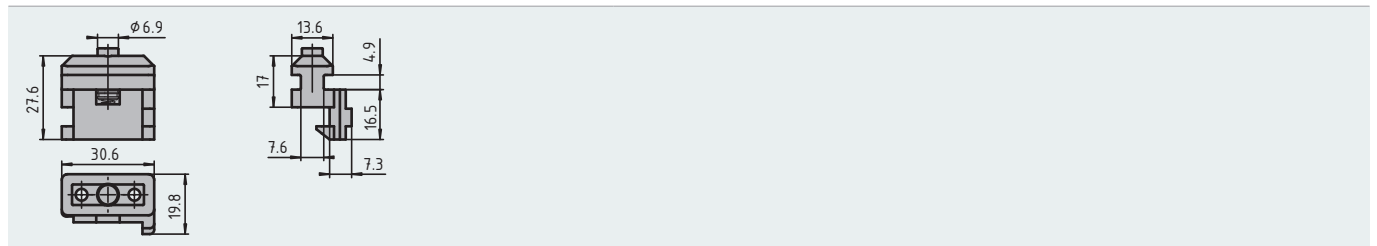
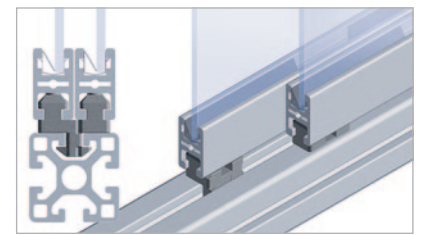
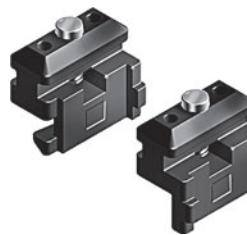
Supports 2 doors per slot.

Smoothly running slider on the surface element.

Material: Black plastic (POM)

Set: 4 sliders (2× right, 2× left)

Max. weight of door: 10 kg

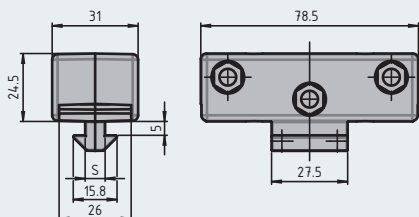


DESIGNATION	SLOT	F=	ARTICLE NUMBER
Sliding door guide channel set	8	150 N	285615200

Guide channel set for lift gates

Use the set to build lift gates.
The set includes frame elements with various surface elements to be mounted between two upright profiles.
Leave a 25 mm gap between the lift gate and the upright profile on either side.

Material: Housing: Black plastic (POM)
Mounting set: Steel



DESIGNATION	SLOT	ARTICLE NUMBER
Guide channel set for lift gates	8	208520020

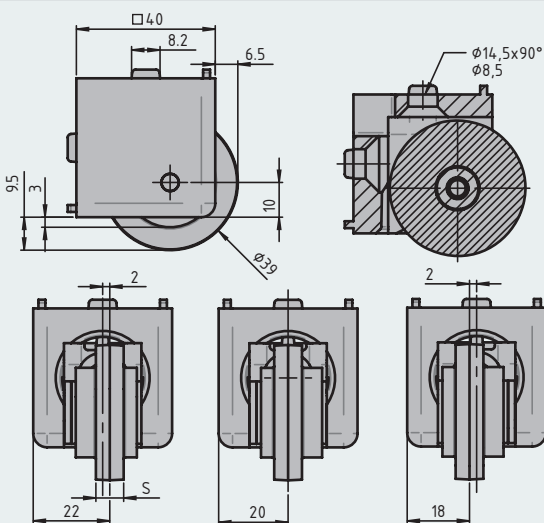
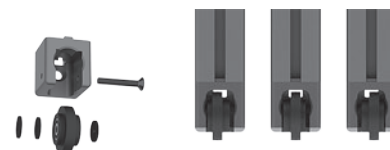
Guide channel set for lift gates and sliding doors

new

Links two aluminium profiles at a right angle and guides lift gates or sliding gates in the aluminium profile slot by means of a ball bearing; use the shims as best fits your purpose: 2 mm distance to the stationary element or 2 or 4 mm distance to the parallel sliding element.

Material: Housing: Uncoated die-cast aluminium
Runner: Black plastic (PA), glass bead-reinforced
Shim: Plastic (PA), fibreglass-reinforced, natural colour

Package includes sliding door guide, runner, washer, M6 × 40 and M8 × 25 countersunk screw (DIN7991)

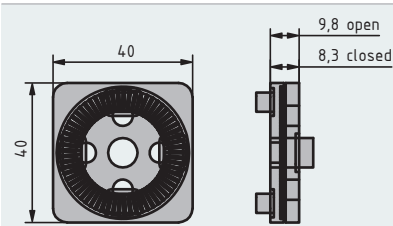
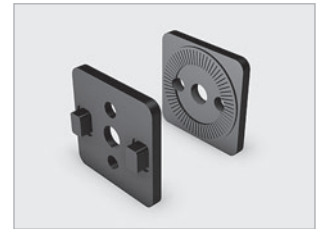


DESIGNATION	B (mm)	N	WEIGHT	ARTICLE NUMBER
Sliding door guide channel set	40	8	137 g	285615300

Coupling set 8

Use the coupling set 8 to create a positive angular fit of two profiles with opposing slot sides. Or use it to connect the face end of one profile to the slot side of the other. The serration of the coupling halves lets you set the intersection angle at steps of 5°. You may use a clamping lever to screw down the parts which will make later adjustments easier.

Material: Black GD-Zn



DESIGNATION	M	ARTICLE NUMBER
Coupling set 8	8 Nm	282350300

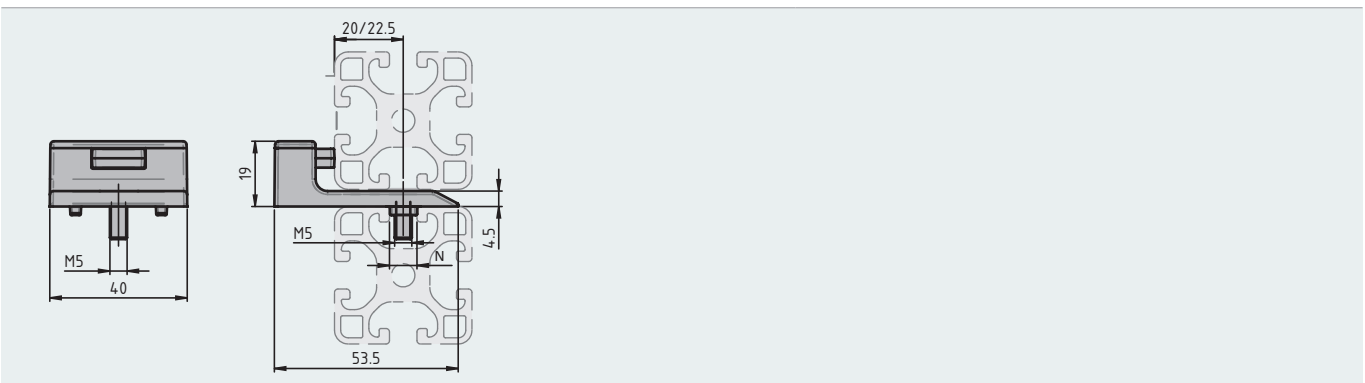
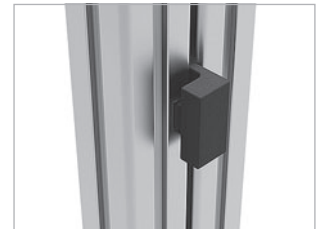
Door stop

The stop angle ensures that framed doors can be locked without scratching or damaging the aluminium profiles.

The stop angle mounts on the door case and, together with the wedge and end stop, limit the movement.

When designing your door, consider that door stop 8 is 4.5 mm thick.

Material: Black plastic (PA6)



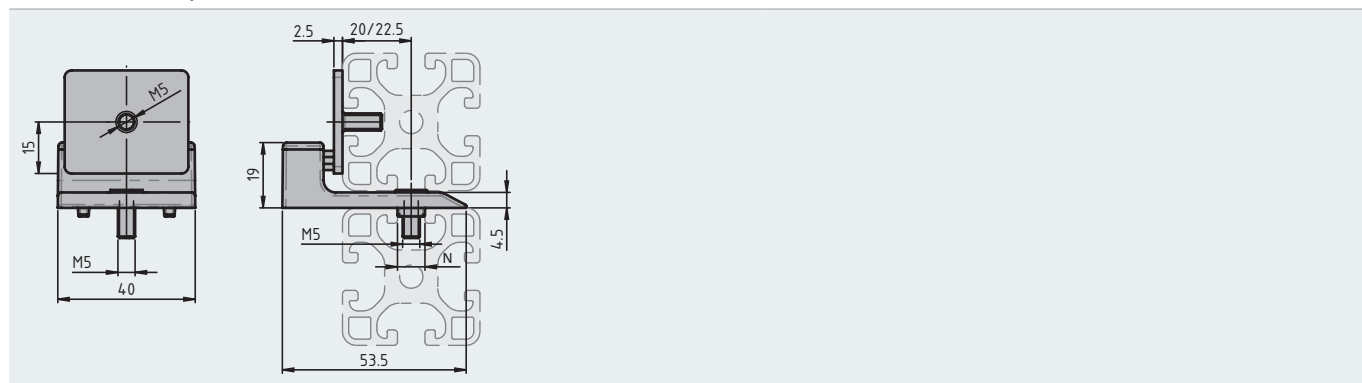
DESIGNATION	SLOT	ARTICLE NUMBER
Door stop with rubber pad, M5 × 14 countersunk screw (DIN79941)	8	402350400

Magnetic door stop

The magnetic stop mounts on the door slot and makes up a stop and an abutting wedge. After swinging in the door against the stop angle, the magnetic latch will hold it in place.

If profiles with closed slots are used, remember that you must remove the cover to install the slot nut and the anti-twist device.

Material: Black plastic (PA6)



DESIGNATION	SLOT	ARTICLE NUMBER
Magnetic door stop with retaining plate and M5 × 14 countersunk screw	8	402350401

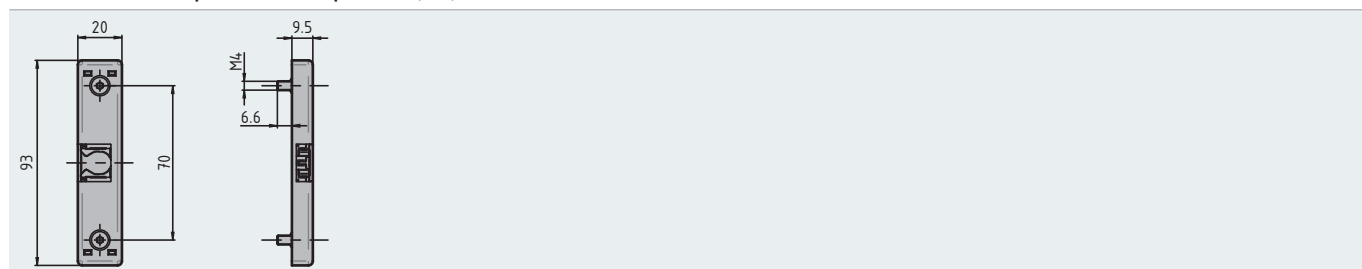
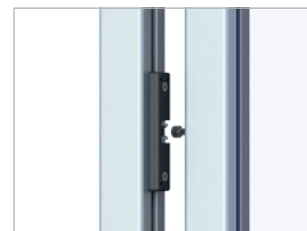
Door latch

Low-profile door latch for use in the gap of swing doors. Its low height allows you to narrow down the door gap to 12 mm. The door latch snaps onto the head of a M6 cheese head screw (DIN912) which screws into a slot nut and, together with the slot nut, into the bottom of the opposite slot.

Matches slots 6 & 8

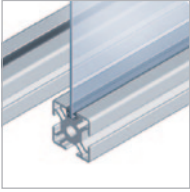
Material: Door latch; die-cast zinc

Cover plate: Black plastic (PA)

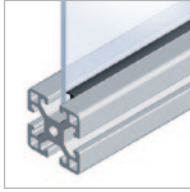


DESIGNATION	SLOT	ARTICLE NUMBER
Door latch and cover plate	6 & 8	405530100

SURFACE ELEMENTS AND LININGS



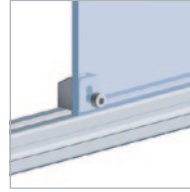
Page 7|2
Lining and cover
profile



Page 7|3
Plate gasket



Page 7|3
Clamp border strip



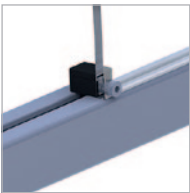
Page 7|4
Universal pads



Page 7|5
Universal pad
26 CS



Page 7|5
Universal pad
ZN40



Page 7|6
Mounting pad



Page 7|6
Clamping pad



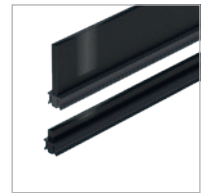
Page 7|7
Quick pad with
locking pin



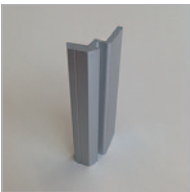
Page 7|7
Circlip



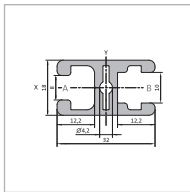
Page 7|8
Panel bracket



Page 7|8
Black strip brush



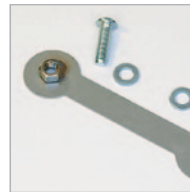
Page 7|9
Fillet strip



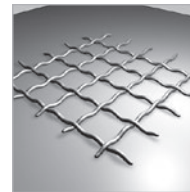
Page 7|9
Aluminium profile
32 × 18



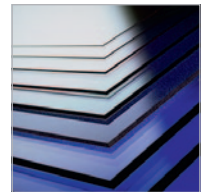
Page 7|10
Clamping spring



Page 7|11
Earthing strap



Page 7|11
Wave grid/spot-
welded grid



Page 7|12
Polycarbonate



Page 7|12
Rubber mat

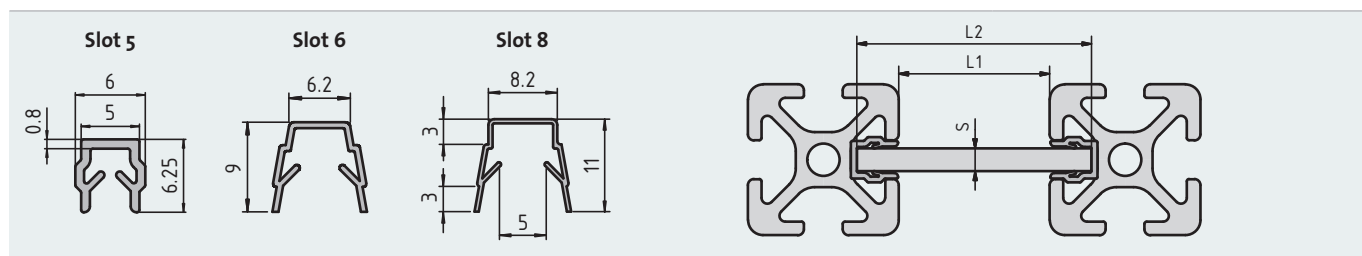
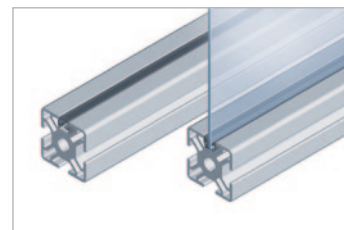
Cover and lining profile

For covering slots and lining surface elements.

Clearance-free installation of surface elements up to 6 mm thick along the slot.

Cables are firmly buried in the slot.

Material: plastic (PP)



DESIGNATION	SLOT	COLOUR	S (mm)	LENGTH (mm)	L2 (mm)	ARTICLE NUMBER
Cover and lining profile	5	natural	2-3	2000	L1 + 10	251006007
Cover and lining profile	5	black RAL9005	2-3	2000	L1 + 10	251006008
Cover and lining profile	5	black RAL9005	2-3	2000	L1 + 10	251006016
Cover and lining profile	6	black RAL9005	2-4	2000	L1 + 17.5	261006013
Cover and lining profile	6	black RAL9005	2-4	2000	L1 + 17.5	261006017
Cover and lining profile	6	natural	2-4	2000	L1 + 17.5	261006014
Cover and lining profile	8	natural	4-6	2000	L1 + 22.5	281006009
Cover and lining profile	8	light grey RAL7035	4-6	2000	L1 + 22.5	281006010
Cover and lining profile	8	white aluminium RAL9006	4-6	2000	L1 + 22.5	281006011
Cover and lining profile	8	black RAL9005	4-6	2000	L1 + 22.5	281006012
Cover and lining profile	8	black RAL9005	4-6	2000	L1 + 22.5	281006018
Cover and lining profile	8	traffic red RAL3020	4-6	2000	L1 + 22.5	281006013
Cover and lining profile	8	signal blue RAL5005	4-6	2000	L1 + 22.5	281006014
Cover and lining profile	8	zinc yellow RAL1018	4-6	2000	L1 + 22.5	281006015

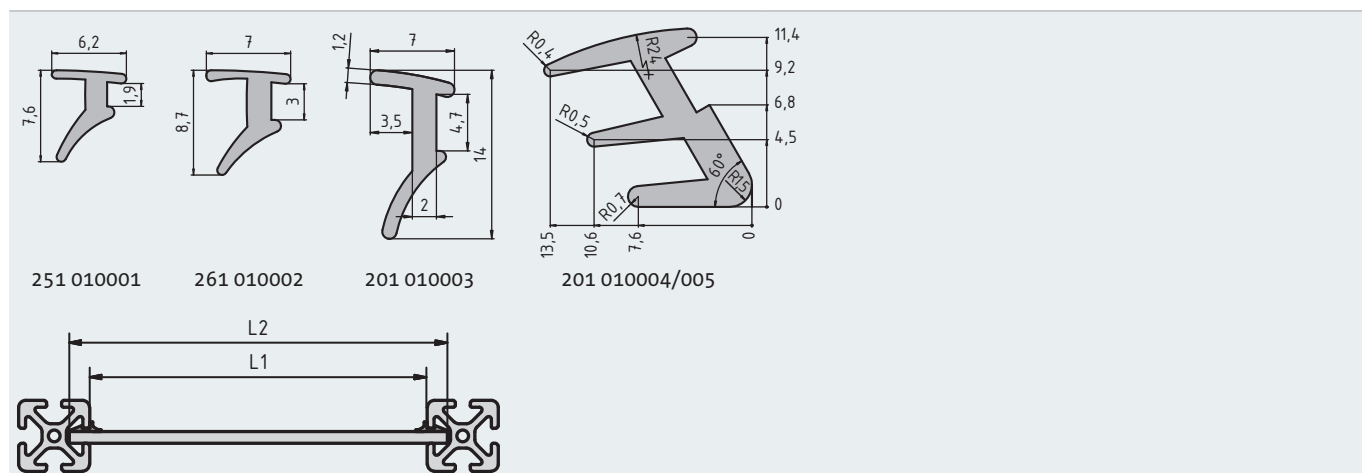
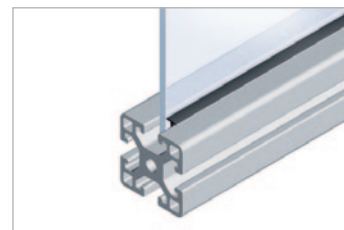
Plate gasket

Holds and seals surface elements in the slot.
(Delivered on coil – sold by metres)

Material: plastic (TPE)

Order by: metres

Order quantity per length: Max. 100 m



DESIGNATION	SLOT	COLOUR	PLATE THICKNESS	L2 (mm)	ARTICLE NUMBER
Plate gasket	5	black	2-3 mm	L1+10	251010001
Plate gasket	6	black	2-4 mm	L1+17.5	261010002
Plate gasket	8	black	4-6 mm 6-8 mm	L1+22.5	201010003
Plate gasket	8	black	2-4 mm 4 mm	L1+22.5	201010004
Plate gasket	8	grey RAL7040	2-4 mm 4 mm	L1+22.5	201010005

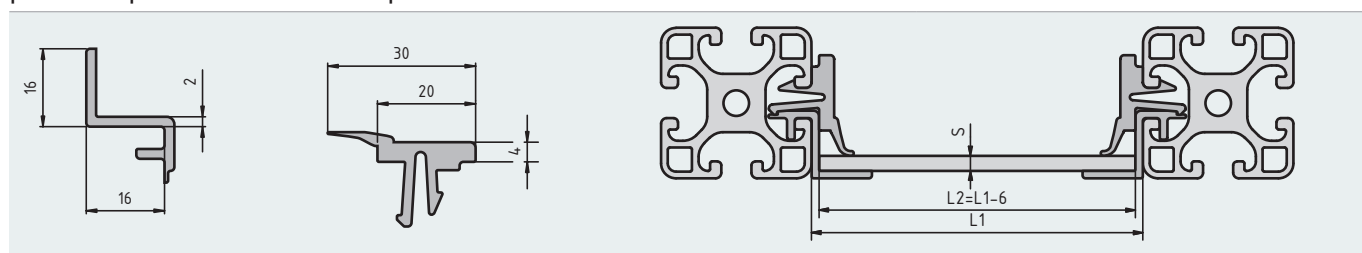
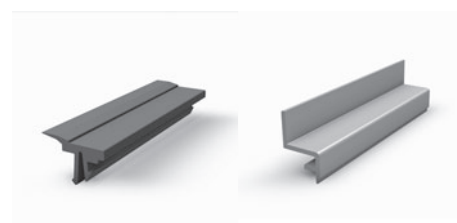
Plate bordering strips

For fitting plates into closed frames later.

In order to improve the appearance, the mounted plates are more or less flush with the outer edge of the base frame.

No need to remove existing constructions.

The plate rests on an aluminium strip placed in the profile slot. An elastic plastic strip is used to fasten the plate afterwards.

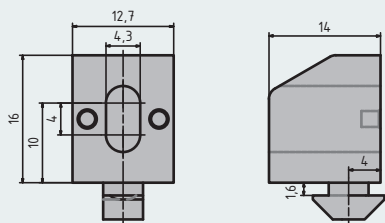
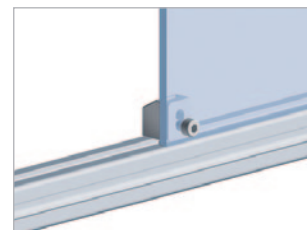


DESIGNATION	SLOT	MATERIAL	S (mm)	LENGTH (mm)	ARTICLE NUMBER
Plate bordering strip	8	Aluminium		3000	281006100
Plate bordering strip	8	Grey PP/TPE, similar to RAL7042	2-4	3000	281006101

Universal pad

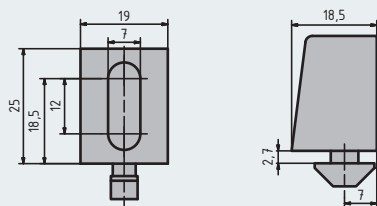
Fastening surface elements to aluminium profiles made easy.

Material: Pad: Plastic (PA), fibreglass-reinforced
Nut: Galvanised steel



Slot 5

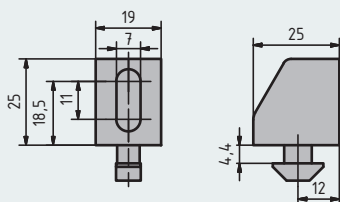
DESIGNATION	SLOT	ARTICLE NUMBER
Universal pad 14 with M4 square nut	5	255615001



Slot 6



DESIGNATION	SLOT	ARTICLE NUMBER
Universal pad 18 with M4 square nut	6	265615002
Universal pad 18 with M5 square nut	6	265615003
Universal pad 18 with M6 square nut	6	265615004



Slot 8



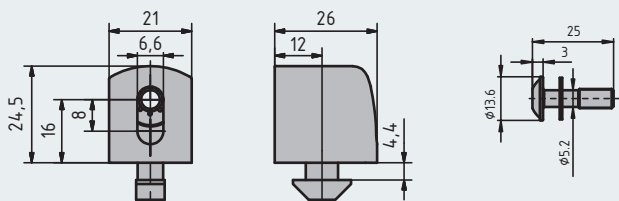
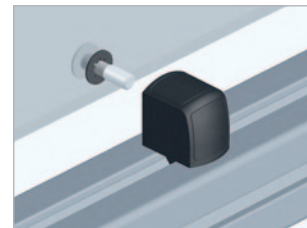
DESIGNATION	SLOT	ARTICLE NUMBER
Universal pad 25 with M4 square nut	8	285615005
Universal pad 25 with M5 square nut	8	285615006
Universal pad 25 with M6 square nut	8	285615007

Universal pad 26 CS

Reliably fastens surface elements to aluminium profiles. Includes a captive screw in conformity with Machinery Directive 2006/42/EC.

Material: Pad = plastic (PA), fibreglass-reinforced;
Nut = galvanised steel

Colour: black



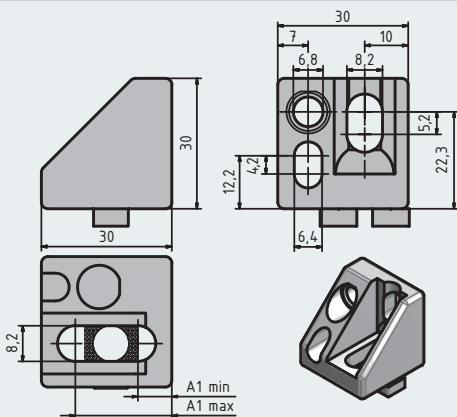
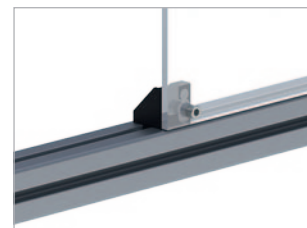
DESIGNATION	SLOT	ARTICLE NUMBER
Universal pad 26 CS with captive screw	8	285615008
L25 M6 x 25 pan head screw for universal pad 26 CS, similar to ISO7380F		205615009 new

Slot 8 universal pad ZN40

Fastens surface elements to aluminium profiles. Particularly designed for high surface loads up to 2,000 N; with captive screw in conformity with Machinery Directive 2006/42/EC

Material: Die-cast zinc

Surface: black galvanised (RoHS-compliant)



DESIGNATION	THREAD	A1 MIN (mm)	A1 MAX (mm)	N	H (mm)	WEIGHT (g)	ARTICLE NUMBER
Universal pad ZN40	M6	8.0	22.0	8	4.0	67.0	285615050

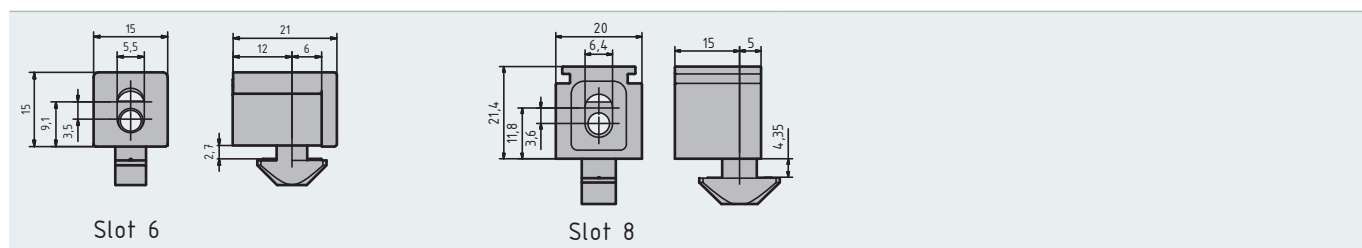
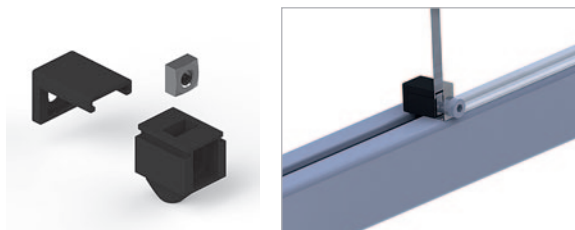
Mounting pad

Fastening surface elements to aluminium profiles made easy. The universal pads reliably fasten surface elements of any thickness to the slot.

- Allows surface elements to be installed or removed later.
- Made for high loads

Material: Pad: Plastic (PA); fibreglass-reinforced;
Nut = galvanised steel

Colour: black

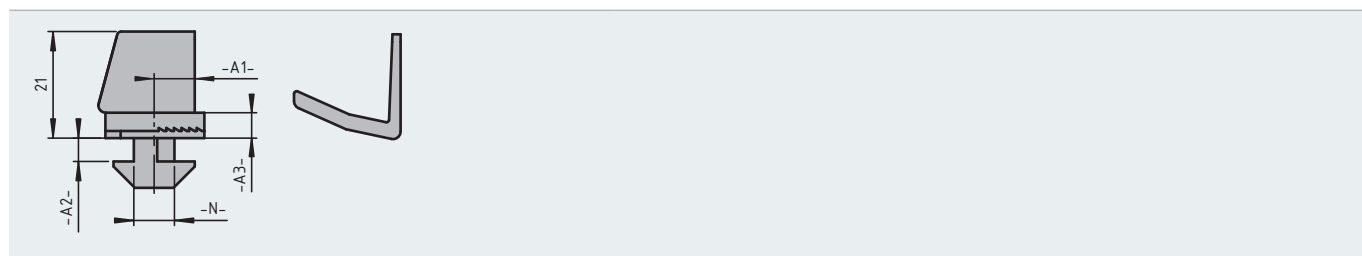
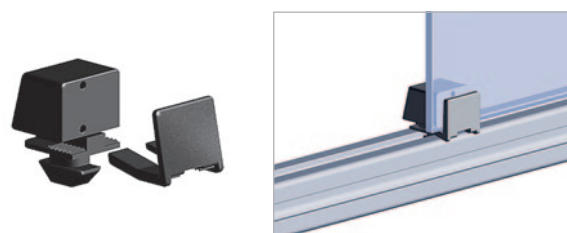


DESIGNATION	SLOT	THREAD	ARTICLE NUMBER
Mounting pad with nut	6	M5	265615010
Mounting pad with nut	8	M6	285615011

Clamping pad

For fastening surface elements to aluminium profiles without tools.

Material: Plastic (PA), fibreglass-reinforced
Clamping width: 1-9 mm surface elements

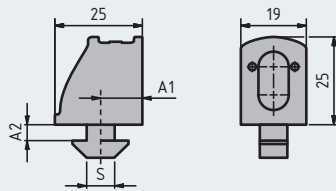
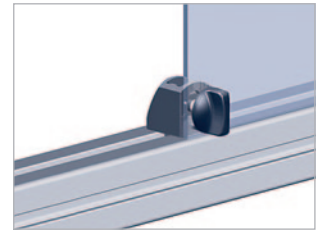


DESIGNATION	SLOT	COLOUR	A1 (mm)	A2 (mm)	A3 (mm)	ARTICLE NUMBER
Clamping pad	5	black	4	1.6	3.6	255615100
2 mm clamping pad spacer	5	black				205615150 new
3 mm clamping pad spacer	5	black				205615151 new
4 mm clamping pad spacer	5	black				205615152 new
Clamping pad	5	traffic grey, similar to RAL7042	4	1.6	3.6	255615103
Clamping pad	6	black	7	2.7	4.5	265615102
Clamping pad	6	traffic grey, similar to RAL7042	7	2.7	4.5	265615104
Clamping pad	8	black	11.5	4.5	5.0	285615101
Clamping pad	8	traffic grey, similar to RAL7042	11.5	4.5	5.0	285615105

Quick pad with slot 8 locking pin

For quickly fastening surface elements.
No tools required.

Material: Black plastic (PA), fibreglass-reinforced



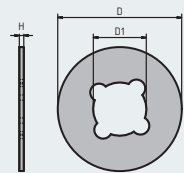
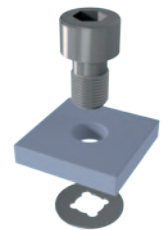
DESIGNATION	SLOT	A1 (mm)	A2 (mm)	WEIGHT (g)	ARTICLE NUMBER
Quick pad with locking pin	8	12.0	4.4	11.0	285615070

Circlip

The clip prevents the screw from being lost in the surface element.
Retrofittable.

For various threads.

Material: Plastic (PA), natural colour



DESIGNATION	THREAD	D (mm)	D1 (mm)	h (mm)	ARTICLE NUMBER
Circlip	M5	10	4.1	0.5	404542329
Circlip	M6	12	5.1	0.5	404542330

Panel bracket

Fastens the surface element on the profile without further changes.

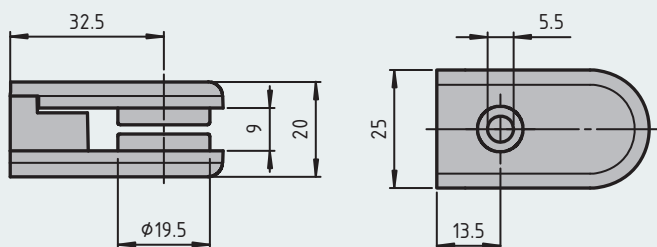
Tightening the clamping screw fastens the collet to both the surface element and the profile.

Do not use for grids or wave grids.

For 2-9 mm surface elements

Material: Die-cast zinc, aluminium coloured powder coat

Set: 1 panel bracket, M5 × 16 screw,
5 rubber pads for 2–9 mm plates



DESIGNATION

Panel bracket

ARTICLE NUMBER

404615500

Black strip brush

Seals, carries, cleans, guides and fastens.

Bridges a door gap to keep out flowing air, dust and noise.

Reduces vibrations.

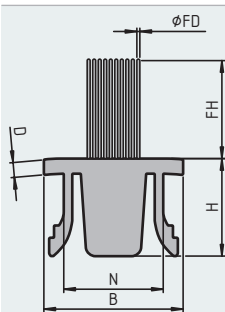
Material: Body: Plastic (ABS)

Bristles: plastic (PA6)

Length: 1000 mm

Colour: black

Mount: Simply press-fit into the slot



DESIGNATION	SLOT	FH(mm)	ϕFD (mm)	B (mm)	H (mm)	D (mm)	WEIGHT	ARTICLE NUMBER
Strip brush	8	10	0.2	12.0	8.5	1.5	94.0	482100200
Strip brush	8	40	0.2	12.0	8.5	1.5	139.0	482100201

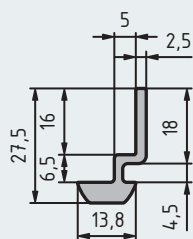
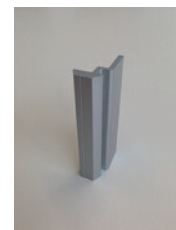
Fillet strip

The variable way of fastening any kind of element.
Highly enduring due to firm link to the slot.
Can be used as a stop ledge of doors.

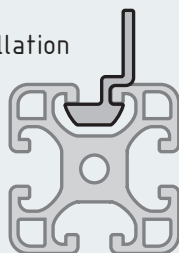
Length: 2000 mm

Material: Anodised aluminium

Installation: Fasten to the slot with grub screws
(notch for the drill hole centre is in place)



Installation



DESIGNATION	SLOT	ARTICLE NUMBER
Aluminium fillet strip	8	281008100

Clamping profile 8, 32 × 18

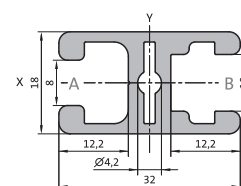
new

Its matching clamping spring holds surface elements in place.
Use to build light-duty guards and sliding doors.

Aluminium profile 32 × 18

new

Article number	281321800 (10 bars, 6000 mm each) 281321899 /... max. 6000 mm
Profile	32 × 18
Slot	8 mm
Mass	0.67 kg/m
Moment of inertia	$I_x = 1.87 \text{ cm}^4$ $I_y = 1.10 \text{ cm}^4$
Section modulus	$W_x = 1.15 \text{ cm}^3$ $W_y = 1.22 \text{ cm}^3$
Profile surface	$A = 2.49 \text{ cm}^2$



Cap

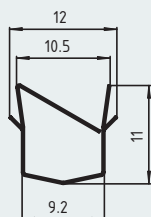
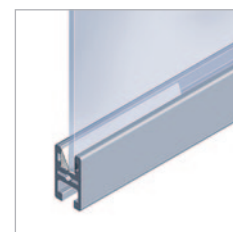
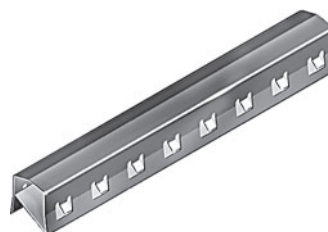
new

DESIGNATION	SLOT	ARTICLE NUMBER
Cap for 32 × 18 profile	8	251005004

Slot 8 clamping spring

For clamping profile 8, 32 × 15
 Particularly designed for building light-duty guards, sliding doors and other types of cladding.
 A spring holds the surface element in the slot. For 2-9 mm surface elements

Material: Stainless steel (1.4305)



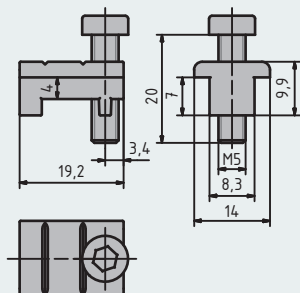
DESIGNATION	LENGTH	ARTICLE NUMBER
Slot 8 clamping spring	80 mm	285615100

Coupling set for clamping profile 8, 32 × 18

new

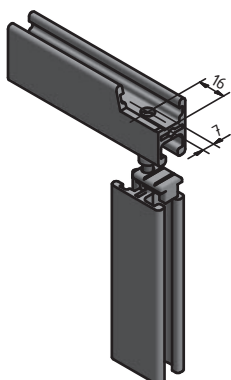
Creates a corner joint at the correct place of the profiles.
 Includes a M5x20 fillister head screw (ISO7380) of galvanised steel.

Material: Galvanised die-cast zinc



DESIGNATION	SLOT	ARTICLE NUMBER
Coupling set for clamping profile 8x32	8	282400400

Machining of clamping profile coupling set 8, 32 × 18

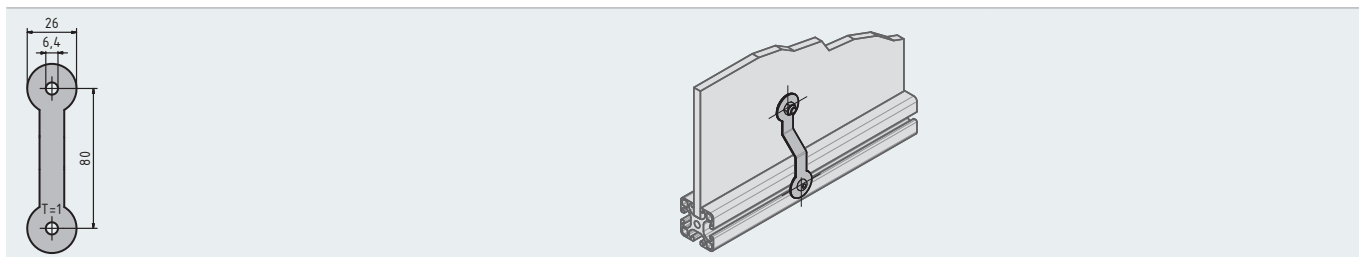
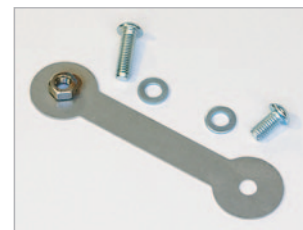


Earthing strap

Creates a conductive link between surface elements and brace profiles.

Material: Stainless strip steel

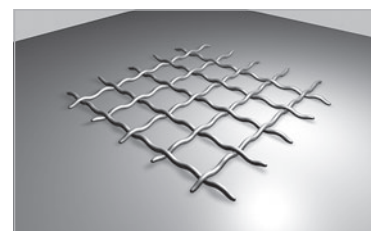
Package includes: 1× M6 × 20 fillister head screw (DIN7380), galvanised, 1× M6 × 12 fillister head screw (DIN7380), galvanised



DESIGNATION	ARTICLE NUMBER
Earthing strap with welded-on nut	402536149

Wave grid

Sizes up to 2000 × 2500 mm, galvanised and RAL powder coated.



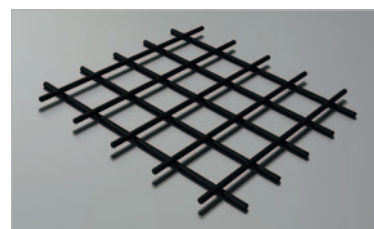
DESIGNATION	MESH SIZE	GRID VARIANT	TYPE OF WIRE	WEIGHT kg/m ²	ARTICLE NUMBER
Wave grid	30 × 30 × 3 mm	Square mesh	Hot-dip galvanised	3.69	630303
Wave grid	40 × 40 × 3.8 mm	Square mesh	Hot-dip galvanised	4.92	640404

Example:

Article number	Designation	Size	
630303	Wave grid 30 × 30 × 3 mm	1500 × 1000 mm	galvanised

Spot-welded grid

Sizes up to 1500 × 3000 mm, black plastic-coated steel (RAL9005).



DESIGNATION	MESH SIZE	GRID VARIANT	WEIGHT kg/m ²	ARTICLE NUMBER
Spot-welded grid	30 × 30 × 3 mm	Square mesh	3.61	730303

Example:

Article number	Designation	Size
730303	Spot-welded grid, 30 × 30 × 3 mm, galvanised	1500 × 1000 mm

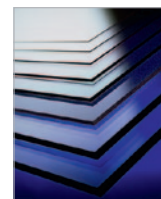
Polycarbonate

Transparent and antistatic transparent variants of the following sizes.

Ask for UV-resistant polycarbonate.

Material: Antistatic (ASTM 257), conductive surface *

Surface resistance: $10^4 - 10^8$ ohm



DESIGNATION	T =	DESIGN	WEIGHT kg/m ² *	ARTICLE NUMBER
Cut-to-size polycarbonate	2 mm	normal	2.28	500002 new
Cut-to-size polycarbonate	3 mm	normal	3.4	500003
Cut-to-size polycarbonate	4 mm	normal	4.6	500004
Cut-to-size polycarbonate	5 mm	normal	5.7	500005
Cut-to-size polycarbonate	6 mm	normal	6.9	500006
Cut-to-size polycarbonate	8 mm	normal	9.12	500008 new
Cut-to-size polycarbonate	10 mm	normal	11.4	500010 new
Cut-to-size polycarbonate	15 mm	normal	17.1	500015 new
Cut-to-size polycarbonate	3 mm	antistatic	3.4	500003AST new
Cut-to-size polycarbonate	4 mm	antistatic	4.6	500004AST new
Cut-to-size polycarbonate	5 mm	antistatic	5.7	500005AST new
Cut-to-size polycarbonate	6 mm	antistatic	6.9	500006AST new
Cut-to-size polycarbonate	8 mm	antistatic	9.12	500008AST new
Cut-to-size polycarbonate	10 mm	antistatic	11.4	500010AST new

* UV-resistant, ESD-ready (DIN61340-5-1) upon request; tolerance $\pm 5\%$

Example:

Article number	Designation	Size	Design
500004	Cut-to-size polycarbonate T = 4 mm	500 × 400 mm	normal

Rubber mat/push floor mat

Anti-slip mat for push floors.

Rubber mat with fine grooves, 3 mm thick, without padding, fabric finish on bottom side, NR/SBR-grade, approx. 65° shore.

Colour: black

Max. size: 1200 mm wide, approx. 10 m long



DESIGNATION	THICKNESS	ARTICLE NUMBER
Fine-grooved rubber mat	3 mm	700970

Example:

Article number	Designation	Size
700970	Fine-grooved rubber mat	L = 5000 mm

We do of course supply further surface elements.

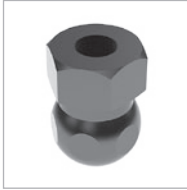
This catalogue only shows some of the most common ones. We can provide you with other elements such as cut aluminium, V2A, steel sheets etc.

Please contact us for details.

FEET AND WHEELS



Page 8|2
Threaded rods,
ball 15



Page 8|2
Ball head



Page 8|3
Base for hinged
knuckle feet



Page 8|5
Threaded rod for
steady knuckle
feet



Page 8|6
Base for steady
knuckle feet



Page 8|7
Floor mount



Page 8|7
Absorber plate



Page 8|8
Floor mounting
plate



Page 8|8
Floor plate



Page 8|9
Base plates



Page 8|10
Adapter panel



Page 8|11
Steering castors



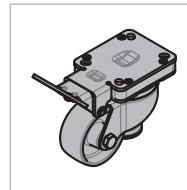
Page 8|13
Castor with fitted
flange



Page 8|14
Plastic double
castor



Page 8|14
Adjustable level-
ling foot

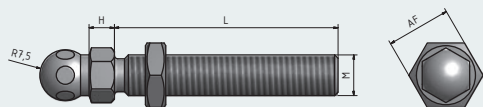


Page 8|15
Levelling castor

Threaded rods for hinged knuckle foot, ball 15



Material: Galvanised / stainless steel
Pivoting range of ball-and-socket joint: $\pm 20^\circ$
 The lock nut is contained in the package.

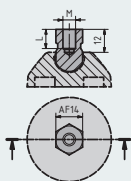
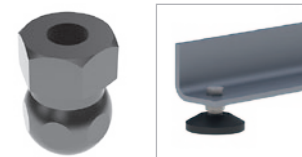


THREADED ROD MxL	CARRYING CAPACITY kg	AF (mm)	H (mm)	GALVANISED STEEL	STAINLESS STEEL
M6 × 15	350	14	7.5		203600368
M6 × 30	350	14	7.5	203600320	
M8 × 25	350	14	7.5	203600300	203600350
M8 × 40	350	14	7.5	403537220	403536811
M8 × 80	350	14	7.5	203600302	203600352
M10 × 45	470	14	7.5	203600303	203600353
M10 × 70	470	14	7.5	203600304	203600354
M10 × 90	470	14	7.5	203600305	203600355
M10 × 125	470	14	7.5	203600306	203600356
M10 × 150	470	14	7.5	203600307	203600357
M12 × 45	770	14	7.5	203600308	203600358
M12 × 66	770	14	7.5	403537222	403536812
M12 × 100	770	14	7.5	203600310	203600360
M12 × 125	770	14	7.5	403537224	403537223
M12 × 150	770	14	7.5	203600312	203600362
M16 × 66	1450	17	7.5	403537228	403537227
M16 × 100	1450	17	7.5	203600314	203600364
M16 × 125	1450	17	7.5	403537230	403537229
M16 × 150	1450	17	7.5	203600316	203600366
M16 × 200	1450	17	7.5	203600317	203600367
M20 × 300	2430	22	7.5	203600319	203600369

Ball head 15 with female thread



Directly links knuckle feet by means of a standard screw.
 For hinged steel/stainless steel knuckle feet
Material: Galvanised / stainless steel: 1.4305

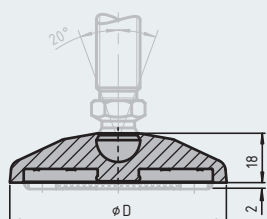


DESIGNATION	MxL	MATERIAL	ARTICLE NUMBER
Ball 15	6x10	Galvanised steel	203600800
Ball 15	6x10	Stainless steel	203600801
Ball 15	8x10	Galvanised steel	203600802
Ball 15	8x10	Stainless steel	203600803

Base for hinged knuckle feet, ball 15

Pivoting knuckle foot for levelling out uneven floors;
no mounting hole.

Matching threaded rod: Threaded rod for hinged knuckle
foot, ball 15



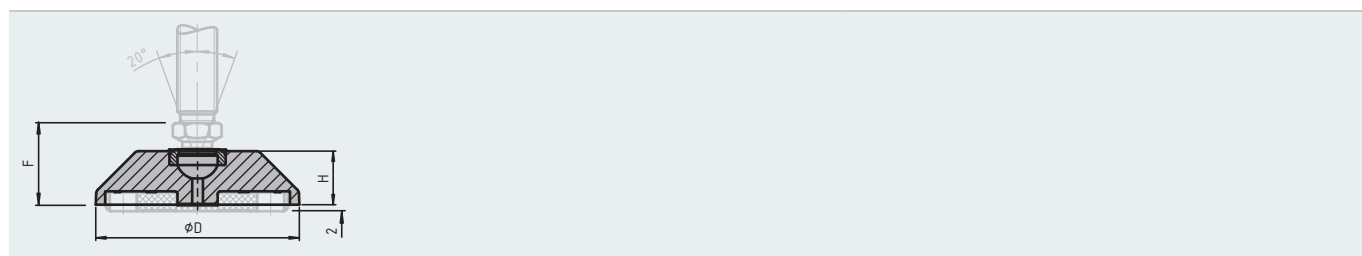
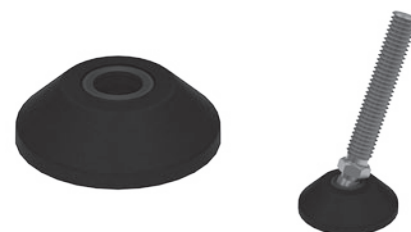
DESIGNATION	MATERIAL	D	CARRYING CAPACITY	ESD	ARTICLE NUMBER
Plate 30	Black plastic (PA)	29 mm	500 kg		403538832
Plate 30	Black plastic (PA) with absorber plate	29 mm	500 kg		203600101
Plate 30	Stainless steel (1.4305)	29 mm	2000 kg		403536694
Plate 30	Die-cast zinc with a black powder coat	29 mm	2000 kg		403538674
Plate 40	Black plastic (PA)	39 mm	900 kg		403538833
Plate 40	Black plastic (PA) with absorber plate	39 mm	900 kg		203600103
Plate 40	Black plastic (PA) with absorber plate	39 mm	900 kg		403600120
Plate 40	Stainless steel (1.4305)	39 mm	3000 kg		403536695
Plate 40	Die-cast zinc with a black powder coat	39 mm	3000 kg		403538675
Plate 45	Black plastic (PA)	44 mm	900 kg		403538834
Plate 45	Black plastic (PA) with absorber plate	44 mm	900 kg		203600105
Plate 50	Black plastic (PA)	49 mm	900 kg		203600106
Plate 50	Black plastic (PA) with absorber plate	49 mm	900 kg		203600107
Plate 50	Black plastic (PA) with absorber plate	49 mm	900 kg		403600121
Plate 60	Black plastic (PA)	59 mm	900 kg		403538835
Plate 60	Black plastic (PA) with absorber plate	59 mm	900 kg		203600109
Plate 60	Black plastic (PA) with absorber plate	59 mm	900 kg		403600122
Plate 60	Stainless steel (1.4305)	59 mm	3500 kg		403538673
Plate 60	Die-cast zinc with a black powder coat	59 mm	3000 kg		403538677
Plate 80	Black plastic (PA)	79 mm	900 kg		403538836
Plate 80	Black plastic (PA) with absorber plate	79 mm	900 kg		203600111
Plate 80	Stainless steel (1.4305)	79 mm	3500 kg		403537206
Plate 80	Die-cast zinc with a black powder coat	79 mm	3000 kg		403538678
Plate 80	Black plastic (PA) with absorber plate	79 mm	900 kg		403600123
Plate 100	Black plastic (PA)	99 mm	900 kg		203600112
Plate 100	Black plastic (PA) with absorber plate	99 mm	900 kg		203600113

Trapezoid base for hinged knuckle feet, ball 15

Pivoting knuckle foot for levelling out uneven floors.

Material: Die-cast zinc with a black powder coat

Matching threaded rod: Threaded rod for hinged knuckle foot, ball 15



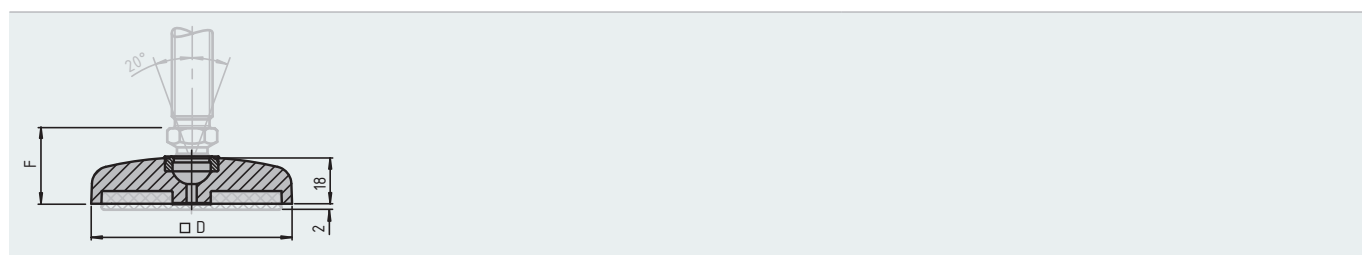
DESIGNATION	SIZE	D=	H=	CARRYING CAPACITY=	ARTICLE NUMBER
Trapezoid base for hinged knuckle feet	60	59 mm	18 mm	2500 kg	203600200
Trapezoid base for hinged knuckle feet with anti-slip plate	60	59 mm	18 mm	2500 kg	203600201
Trapezoid base for hinged knuckle feet	80	79 mm	20 mm	3000 kg	203600202
Trapezoid base for hinged knuckle feet with anti-slip plate	80	79 mm	20 mm	3000 kg	203600203

Square base for hinged knuckle feet, ball 15

Pivoting knuckle foot for levelling out uneven floors.

Material: Die-cast zinc with a black powder coat

Matching threaded rod: Threaded rod for hinged knuckle foot, ball 15



DESIGNATION	SIZE	F (mm)	D= (mm)	CARRYING CAPACITY	ARTICLE NUMBER
Square base for hinged knuckle feet	60	29.5	59 × 59	2500 kg	203600250
Square base for hinged knuckle feet with anti-slip plate	60	29.5	59 × 59	2500 kg	203600251
Square base for hinged knuckle feet	80	29.5	79 × 79	3000 kg	203600252
Square base for hinged knuckle feet with anti-slip plate	80	29.5	79 × 79	3000 kg	203600253
Square base for hinged knuckle feet	100	29.5	99 × 99	3500 kg	203600254
Square base for hinged knuckle feet with anti-slip plate	100	29.5	99 × 99	3500 kg	203600255

Base 40 with arm, ball 15 new

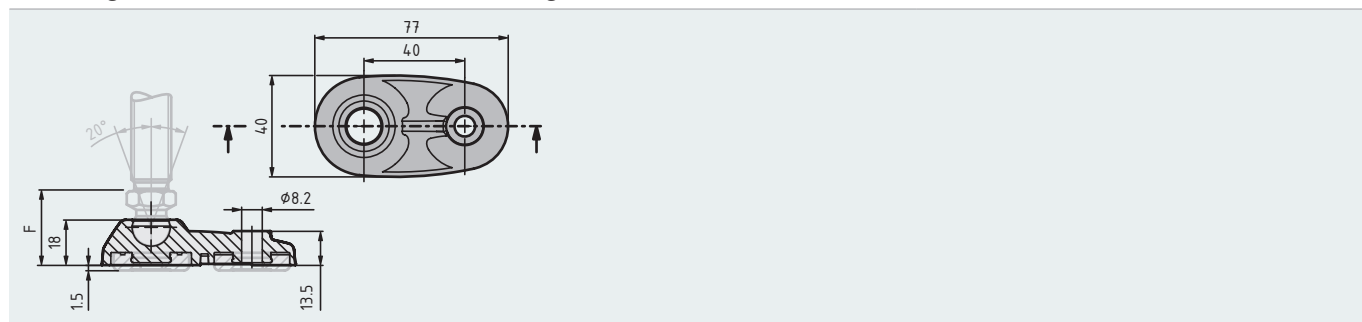
Pivoting knuckle foot for levelling and reliable floor mounting

Material: Plastic (PA), glass bead-reinforced

Colour: black

Carrying capacity: 600 kg

Matching threaded rod – threaded rods for hinged knuckle foot, ball 15 –



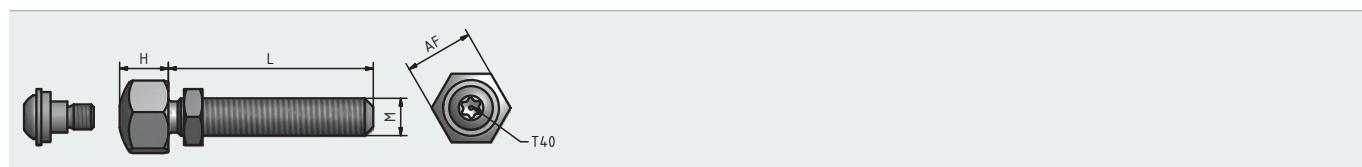
DESIGNATION	Base	F1 (mm)	F2 (mm)	F3 (mm)	ARTICLE NUMBER
Base with arm	40	29.5	32.5	33.5	403538681

Threaded rod for steady knuckle feet for levelling

Material: Galvanised / stainless steel

Pivoting range: $\pm 4^\circ$

The lock nut is contained in the package.



THREADED ROD MxL	CARRYING CAPACITY kg	AF (mm)	H (mm)	GALVANISED STEEL	STAINLESS STEEL
M12 x 66	770	22	16	203600600	203600650
M12 x 100	770	22	16	203600601	203600651
M12 x 125	770	22	16	203600602	203600652
M12 x 150	770	22	16	203600603	203600653
M16 x 66	1450	22	16	203600604	203600654
M16 x 100	1450	22	16	203600605	203600655
M16 x 125	1450	22	16	203600606	203600656
M16 x 150	1450	22	16	203600607	203600657
M16 x 200	1450	22	16	203600608	203600658
M16 x 250	1450	22	16	203600609	203600659

Base for steady knuckle feet

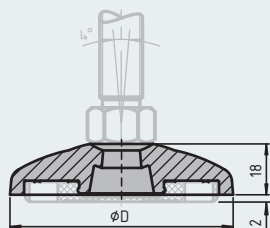
Steady knuckle foot for levelling out uneven floors; no mounting holes.

Material: Plastic (PA), fibreglass-reinforced

Colour: black

Carrying capacity: 1200 kg

Matching threaded rod: Threaded rod for steady knuckle feet for levelling



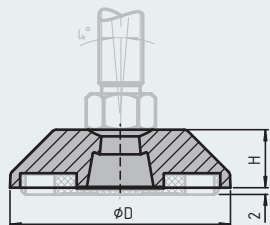
DESIGNATION	SIZE	D=	CARRYING CAPACITY	ARTICLE NUMBER
Base for steady knuckle feet	50	49 mm	1200 kg	203600400
Base for steady knuckle feet with anti-slip plate	50	49 mm	1200 kg	203600401
Base for steady knuckle feet	60	59 mm	1200 kg	203600402
Base for steady knuckle feet with anti-slip plate	60	59 mm	1200 kg	203600403
Base for steady knuckle feet	80	79 mm	1200 kg	203600404
Base for steady knuckle feet with anti-slip plate	80	79 mm	1200 kg	203600405
Base for steady knuckle feet	100	99 mm	1200 kg	203600406
Base for steady knuckle feet with anti-slip plate	100	99 mm	1200 kg	203600407

Trapezoid base for steady knuckle feet

Steady knuckle foot for levelling out uneven floors.

Material: Die-cast zinc with a black powder coat

Matching threaded rod: Threaded rod for steady knuckle feet for levelling

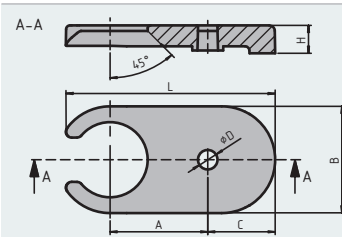
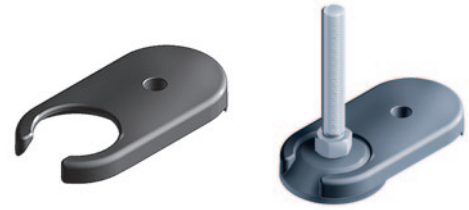


DESIGNATION	SIZE	D=	H=	CARRYING CAPACITY	ARTICLE NUMBER
Trapezoid base for steady knuckle feet	60	59 mm	18 mm	2500 kg	203600500
Trapezoid base for steady knuckle feet with anti-slip plate	60	59 mm	18 mm	2500 kg	203600501
Trapezoid base for steady knuckle feet	80	76 mm	20 mm	3000 kg	203600502
Trapezoid base for steady knuckle feet with anti-slip plate	80	76 mm	20 mm	3000 kg	203600503

Floor mount for trapezoid base

Now or later mounts the trapezoid knuckle foot on the floor.

Material: Die-cast zinc with a black powder coat



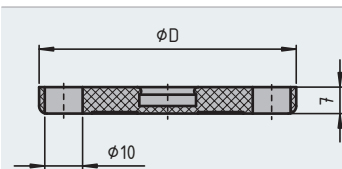
DESIGNATION	A=	B=	C=	D=	H=	L=	ARTICLE NUMBER
Floor mount for trapezoid base 60	50 mm	56.0 mm	38 mm	12 mm	18 mm	110 mm	203600700
Floor mount for trapezoid base 80	70 mm	76.5 mm	38 mm	14 mm	20 mm	150 mm	203600701

Absorber plate for hinged knuckle feet

Prevents knuckle feet from slipping on smooth industrial floors and absorbs vibrations.

Material: thermoplastic elastomer ≈ 70 shore A

Properties: oil and water resistant (up to 60 °C)

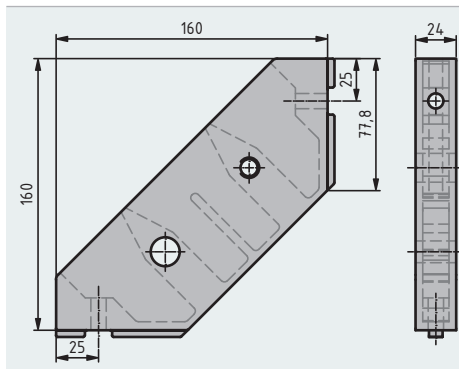


DESIGNATION	D	ARTICLE NUMBER
Absorber plate for base 30	20	403538555
Absorber plate for base 40	30	403538556
Absorber plate for base 45	35	403538557
Absorber plate for base 60	50	403538558
Absorber plate for base 80	68	403538559

Floor mounting plate

Levels and anchors racks.
Gives extra strength to machine frames.

Material: Black GD-Al



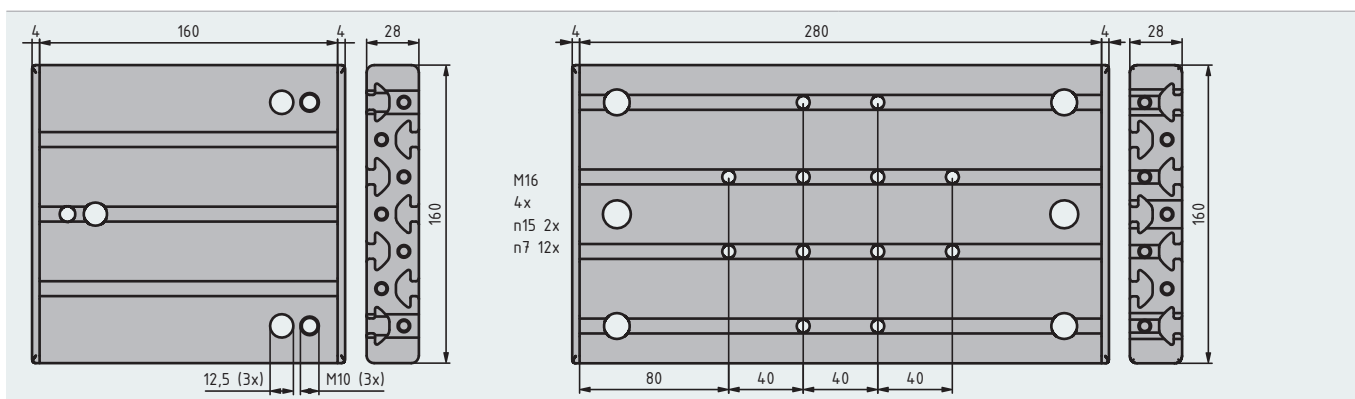
DESIGNATION	SLOT	FMAX	ARTICLE NUMBER
Floor mounting plate 160	8	10,000 N	282350200
Mounting kit for mounting floor plate 160 on profiles (M8 x 30 screw (ISO7380), 2 slot 8 M8 slot nuts)	8		282350201

Floor plates

Fasten upright profiles on the floor and level them out. Use the grub screws for levelling.

Floor mounting kits are used for fastening on the floor.

Holes D=12.5 are provided



DESIGNATION	SLOT	ARTICLE NUMBER
Floor plate 160 Al, anodised, natural colour 2 caps 8 160 x 28 3 M10 x 30 threaded pins (DIN 915), uncoated steel 3 M10 x 30 floor mounting kits	8	283500500
Floor plate 280 Al, anodised, natural colour 2 caps 8 160 x 28	8	283500501

Base plate

For retaining knuckle feet, rollers, hooks or similar components.

Screws to the face end of profiles.

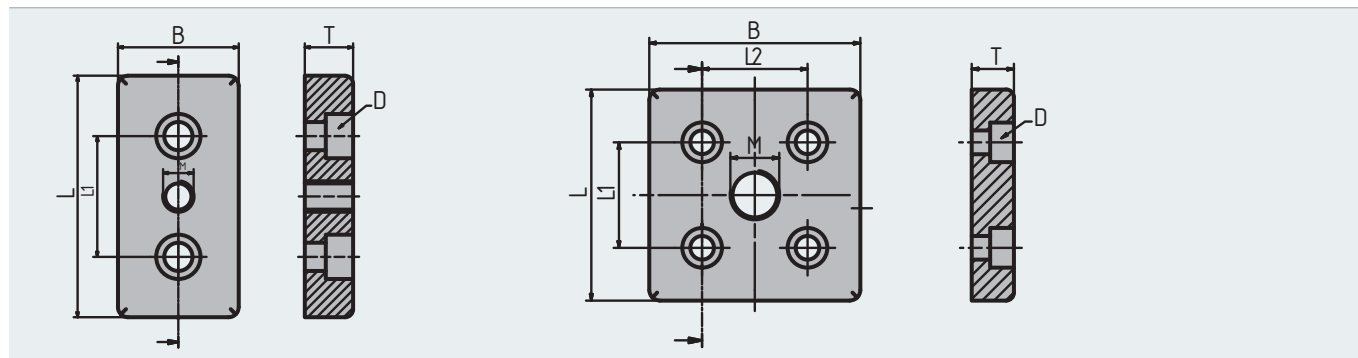
Material: Die-cast zinc with a black powder coat

Recommended screws:

for D5.5 = galvanised M5 × 30 screw (DIN912)

D7 = galvanised M6 × 30 screw (DIN912)

D9 = galvanised M8 × 40 screw (DIN912)



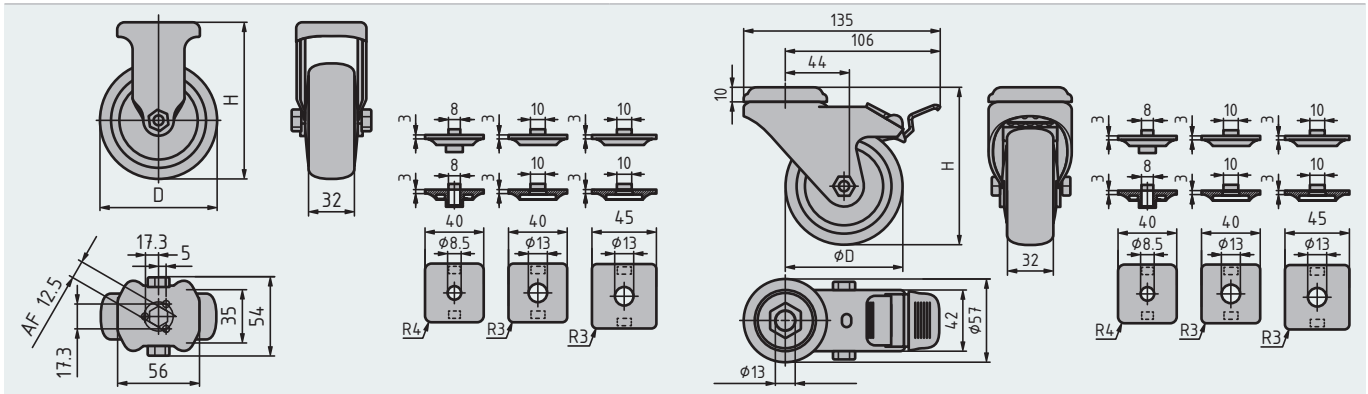
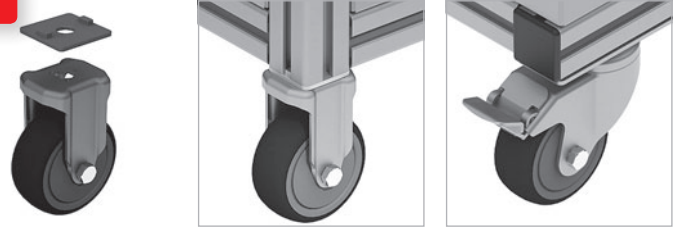
DESIGNATION	L1	L2	SIZE B × L (mm)	D=	T (mm)	THREAD	UNCOATED DIE-CAST ZINC	GALVANISED DIE-CAST ZINC	BLACK POWDER COATED
Base plate	30		30 × 60	7 (M6)	12	M10	203500300		203500400
Base plate	30		30 × 60	7 (M6)	12	M12	203500301		203500401
Base plate	20		30 × 60	7 (M6)	12	M16	203500302		203500402
Base plate	20		40 × 40 (slot 5)	5.5 (M5)	12	M8	203500303		203500403
Base plate	20		40 × 40 (slot 5)	5.5 (M5)	12	M10	203500304		203500404
Base plate	20		40 × 40 (slot 5)	5.5 (M5)	12	M12	203500305		203500405
Base plate	40		40 × 80	9 (M8)	16	M10	203500306		203500406
Base plate	40		40 × 80	9 (M8)	16	M12	203500307		203500407
Base plate	40		40 × 80	9 (M8)	16	M16	203500308		203500408
Base plate	40		40 × 80	9 (M8)	16	M8		203500350	new
Base plate	30	30	60 × 60	7 (M6)	12	M10	203500309		203500409
Base plate	30	30	60 × 60	7 (M6)	12	M12	203500310		203500410
Base plate	30	30	60 × 60	7 (M6)	12	M16	203500311		203500411
Base plate	40	40	80 × 80	9 (M8)	16	M10	203500312		203500412
Base plate	40	40	80 × 80	9 (M8)	16	M12	203500313		203500413
Base plate	40	40	80 × 80	9 (M8)	16	M16	203500314		203500414
Base plate	40	40	80 × 80	9 (M8)	16	M20	203500315		203500415
Base plate	50	100	50 × 100	11 (M10)	16	M12	203500316		203500416
Base plate	50	100	50 × 100	11 (M10)	16	M16	203500317		203500417

Ask for silver powder-coated variants.

Adapter plate for steering and fixed castors new

More reliably fastens steering and fixed castors. If used on fixed castors, the adapter plate also acts as an anti-twist device.

Material: Die-cast zinc, aluminium coloured powder coat






DESIGNATION	SIZE	ARTICLE NUMBER
Adapter plate for steering castor	40 × 40	282540100
Adapter plate for fixed castor	40 × 40	282540101

Steering castor

The castors run extremely smoothly.

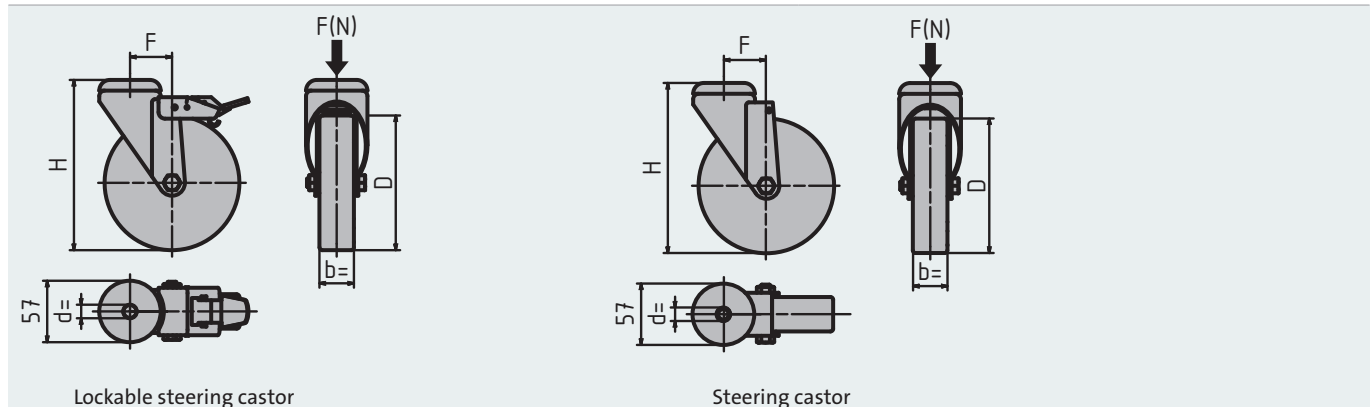
On-site mount: see Steering and fixed castor mounting kit (p 8|11)

-  Particularly gentle to the floor
-  Oil-resistant for use in workshops
-  Suitable for ESD-sensitive areas.
Conductive material variant






Lockable steering castor

Steering castor



Lockable steering castor

Steering castor

PROPERTIES	D =	d =	H =	F =	F(N)	b =	ARTICLE NUMBER LOCKABLE STEERING CASTOR	ARTICLE NUMBER STEERING CASTOR
Thermoplastic rubber wheel, contains oil	75	11	98	29	750	25	412541272	412541274
 Rim (PA), thermoplastic rubber	80	13	108	39	800	32	412541226	412541234
	100	13	133	39	1000	32	412541246	412541268
	125	13	158	39	1000	32	412541258	412541266
 Reinforced PA, chemically resistant	100	13	133	39	1200	32	412515368	412515369
	125	13	158	39	1200	32	412515367	412515366
 Thermoplastic rubber wheel, conductive thread guard	75	11	98	29	500	32	412541235	412541237
	80	13	108	39	650	32	412541230	412541238
	100	13	133	39	700	32	412541231	412541239
	125	13	158	39	780	32	412541232	412541240

Steering castor mounting kit

Fastens steering or fixed castors to aluminium profiles.

DESIGNATION	SLOT	STEERING CASTORS DM	ARTICLE NUMBER
Kit for mounting steering castors in the profile slot. Spacer sleeve, M8 × 20 flange head screw and slot nut included.	8	80/100/125	282529159
Kit for mounting steering castors in the core pulling Spacer sleeve and M8 × 30 flange head screw included.	8	80/100/125	282529160
Kit for mounting steering castors in the profile slot. Spacer sleeve, M8 × 20 flange head screw and slot nut included.	8	75	282529170
Kit for mounting steering castors in the profile slot. Spacer sleeve and M8 × 20 flange head screw included.	8	75	282529171

Heavy-duty castor

Heavy-duty castor with fitted flange.

Sold as lockable and non-lockable steering castor and fixed castor.

Particularly sturdy for use in workshops.

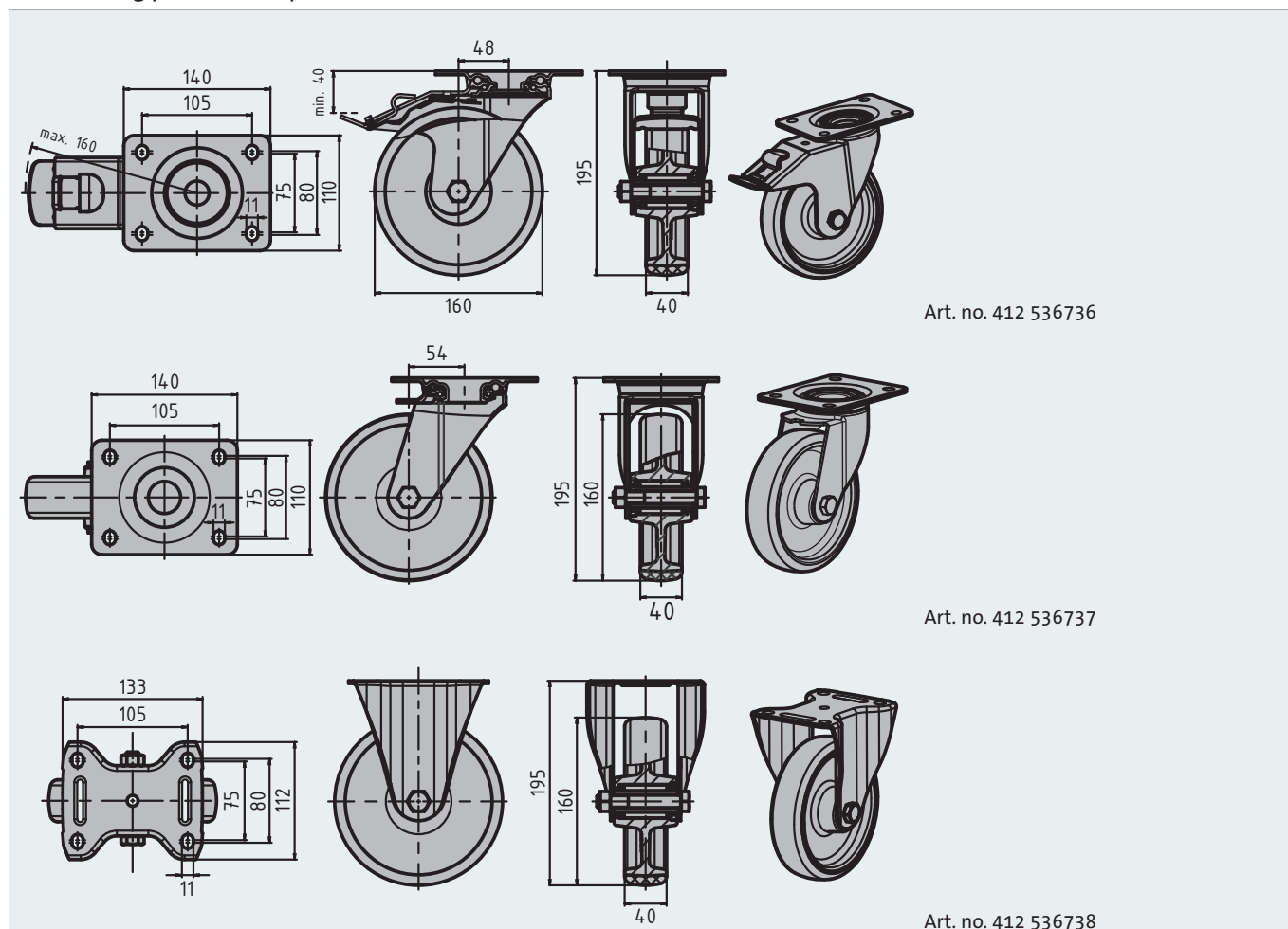
The castors run extremely smoothly.

Material: Galvanised steel; transparent chromate coating; wheel: TPU



Required accessories:

- M10x16 screw (ISO4762), A10.5 washer (DIN125), 1FSt lock washer for fastening the castor on the mounting plate.
- Hammer head screw, flanged nut, M12 or S12 centre bolt for fastening the mounting plate on the profile frame.



Art. no. 412 536736

Art. no. 412 536737

Art. no. 412 536738

DESIGNATION	F(N)	ARTICLE NUMBER
Lockable steering castor	3000	412536736
Steering castor	3000	412536737
Fixed castor	3000	412536738

Castor with fitted flange

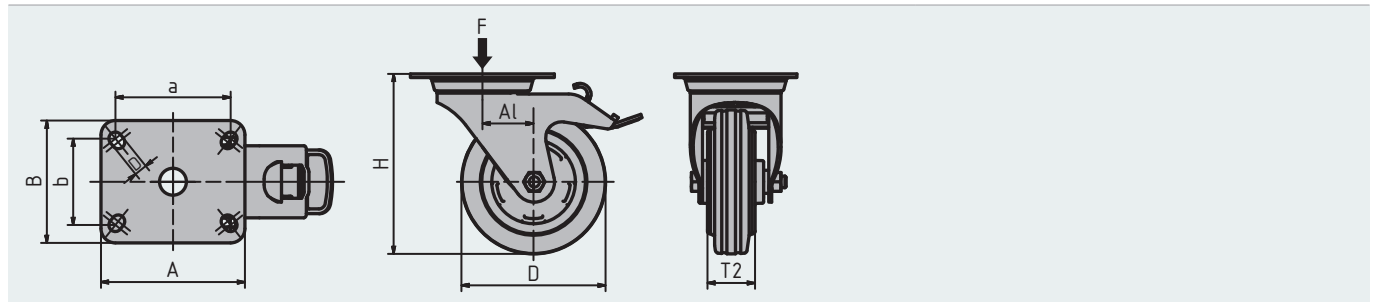
Sturdy castors with fitted flange.

Run very smoothly and are a particularly good choice for workshops.

Sold as lockable steering castor and fixed castor.

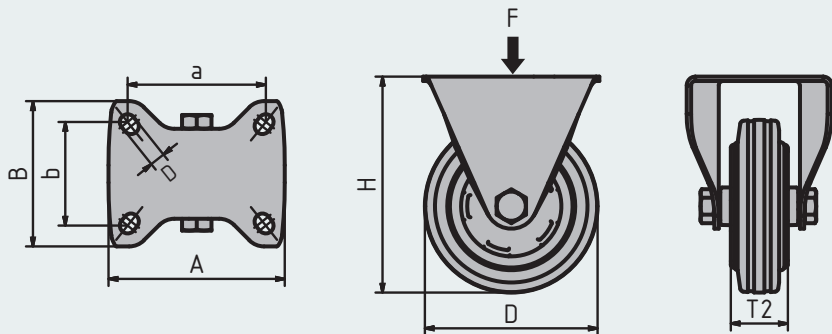
Lockable steering castor: locks to prevent the wheel from rolling and turning

Material: Wheel: solid rubber; rim: polypropylene;
housing: galvanised steel sheet; transparent chromate coating

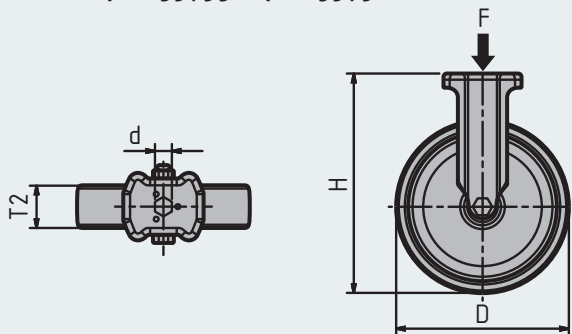



DESIGNATION	F (N)	D (mm)	H (mm)	a (mm)	A (mm)	b (mm)	B (mm)	T2 (mm)	D (mm)	Al (mm)	ARTICLE NUMBER
Steering castor	700	100	125	80	100	60	85	30	9	36	412259790
Steering castor	1000	125	150	80	100	60	85	37.5	9	40	412259791

412259792 + 412259793



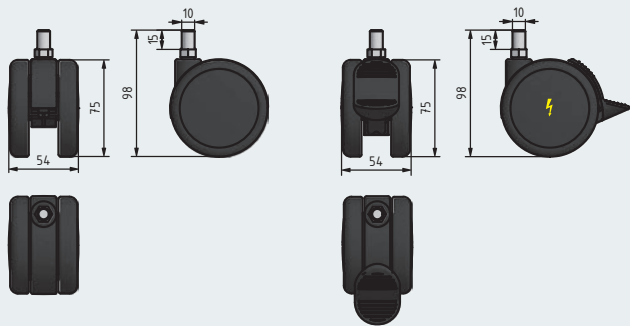
412259795 + 412259796





DESIGNATION	F (N)	D (mm)	H (mm)	a (mm)	A (mm)	b (mm)	B (mm)	T2 (mm)	D (mm)	ARTICLE NUMBER
Fixed castor	750	75	98					25	11	412259795
Fixed castor 	750	75	98					25	11	412259796
Fixed castor	700	100	125	80	100	60	85	30	9	412259792
Fixed castor	1000	125	150	80	100	60	85	37.5	9	412259793

Plastic double castor

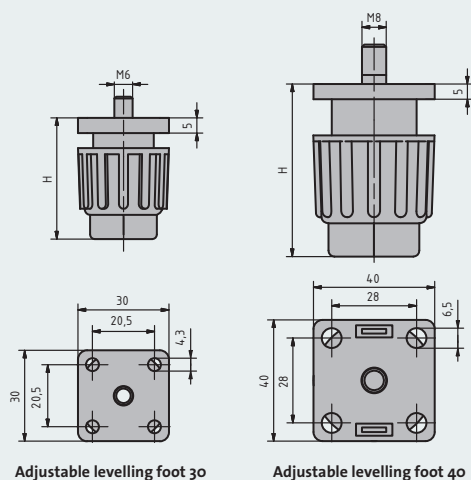
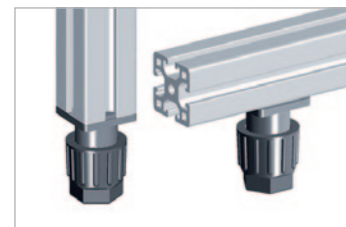
Double castor that carries up to 75 kg.
 Optional: ESD-ready and locking variant.
 Base plates allow installation in the core pulling.
Colour: black
 Wheel with thermoplastic polyurethane tread
Bearing: friction bearing



DESIGNATION	D= (mm)	WHEEL WIDTH (mm)	F (N)	ARTICLE NUMBER
Plastic double castor	75	2 × 15	750	402259800
Plastic double castor 	75	2 × 15	750	402259801
Plastic double castor with wheel stopper	75	2 × 15	750	402259802
Plastic double castor with wheel stopper 	75	2 × 15	750	402259803

Adjustable levelling foot

Compact levelling knuckle foot that mounts on aluminium profiles.
Material: Housing = plastic (PA), fibreglass-reinforced;
 Mechanism = galvanised steel
 Carrying capacity: 150 kg



DESIGNATION	PROFILE	H=	SLOT	THREAD	HOLE SPACING	ARTICLE NUMBER
Adjustable levelling foot	30	35-50 mm	6	M6	B=20.5	263510400
Adjustable levelling foot	40	45-65 mm	8	M8	B=28.0	283510401

Levelling castor

new

Steerable levelling castor.
Simply push the stop lever to turn the castor into a stable foot pad.

Easy to handle due to the lever's stop position.

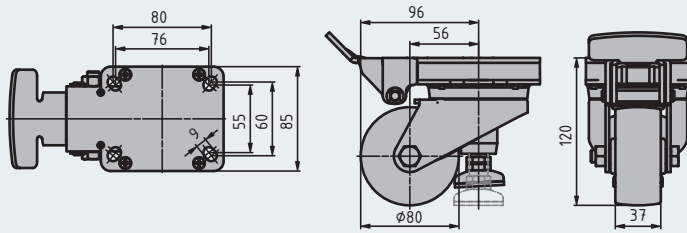
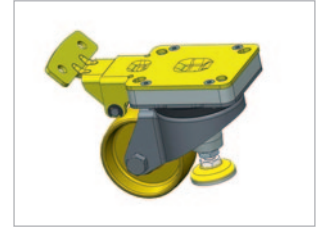
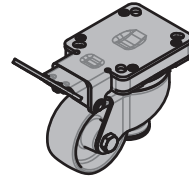
Much ground clearance when moving.

Easy foot operation by lever.

Carrying capacity: 300 kg

Housing: electrolytically galvanised steel, blue passivated, free from Cr6

Wheel: PA6, natural white



DESIGNATION

Levelling castor with integrated locking pad, polyamide wheel

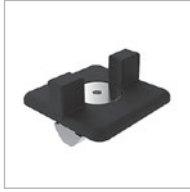
ARTICLE NUMBER

412547890

CASTORS AND GLIDES



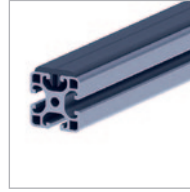
Page 9|2
Linear slide
carriage



Page 9|4
Slot slide



Page 9|5
Snap hook & slid-
ing tool hanger



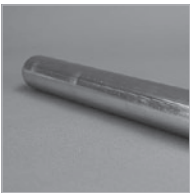
Page 9|5
Slide strip



Page 9|6
Runner



Page 9|7
Roller elements



Page 9|8
Support rollers

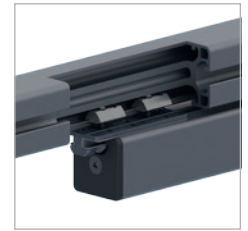


Page 9|8
Roller support

Linear slide carriage

Plastic slide for low-wear and low-friction movement. Permanently reliable linear movement along slot 8. Building parallel guides is supported. Owing to its clamping lever, the linear slide carriage may also be used as an adjustable limit stop (retention force at 15 Nm tightening torque = 600 N)

Note: If you are using several profile guides, check that all of them feature a combination of fixed and floating bearing. This will make up for shape tolerances and ensure smoothness of movement.



MATERIAL WITH CARRIAGE CLAMPING	MATERIAL OF FIXED AND FLOATING BEARING
Carriage: Galvanised die-cast zinc	Carriage: Galvanised die-cast zinc
Sliding piece: Plastic (POM), natural colour	Sliding piece: Plastic (POM), natural colour
Mount: Galvanised steel	Mount: Galvanised steel
Clamping lever: Black plastic, fibreglass-reinforced	O-ring: Black EPDM
Clamping lever mechanism: Burnished steel	

SET WITH CARRIAGE CLAMPING	SET FLOATING BEARING	SET FRICTION BEARING:
1 carriage	1 carriage	1 carriage
2 sliding pieces	2 sliding pieces	2 sliding pieces
1 clamping lever with male M6 × 55 thread *	2 M5 × 25 filister head screws (ISO7380)	2 M6 × 25 filister head screws (ISO7380)
1 special N8/M6 slot nut	2 5 × 1.5 O-rings (DIN3771)	2 5 × 1.5 O-rings (DIN3771)
1 6.4 washer (DIN9021)	2 N8/M5 slot nuts	2 N8/M6 slot nuts
2 M6 hex nuts (DIN439B)		

Slot slide 8

new

Use to install folding doors that swing and slide; leaving out the slot nut allows you to mount it in the core hole at the face end, e.g. on sliding keyboard shelves

Wear-resistant due to low slide friction.

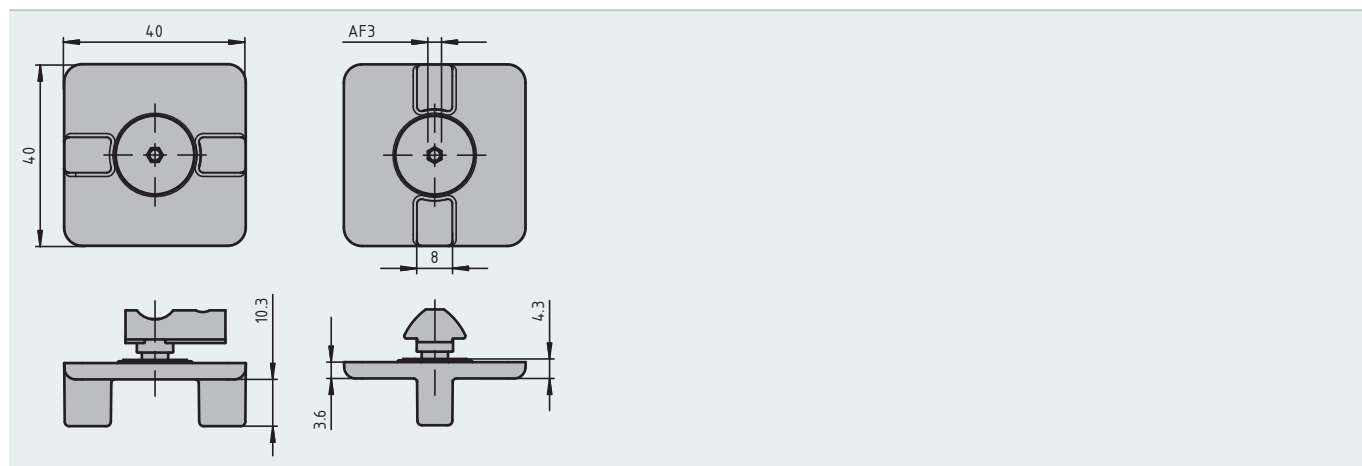
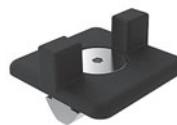
Note: For 5 mm gap space

Material: Slot slide: Black plastic (POM)

Special screw: Galvanised steel

Washer: Uncoated stainless steel

Slot nut: Galvanised steel



DESIGNATION	SLOT	CARRYING CAPACITY (N)	ARTICLE NUMBER
Slot slide	8	60	282350100

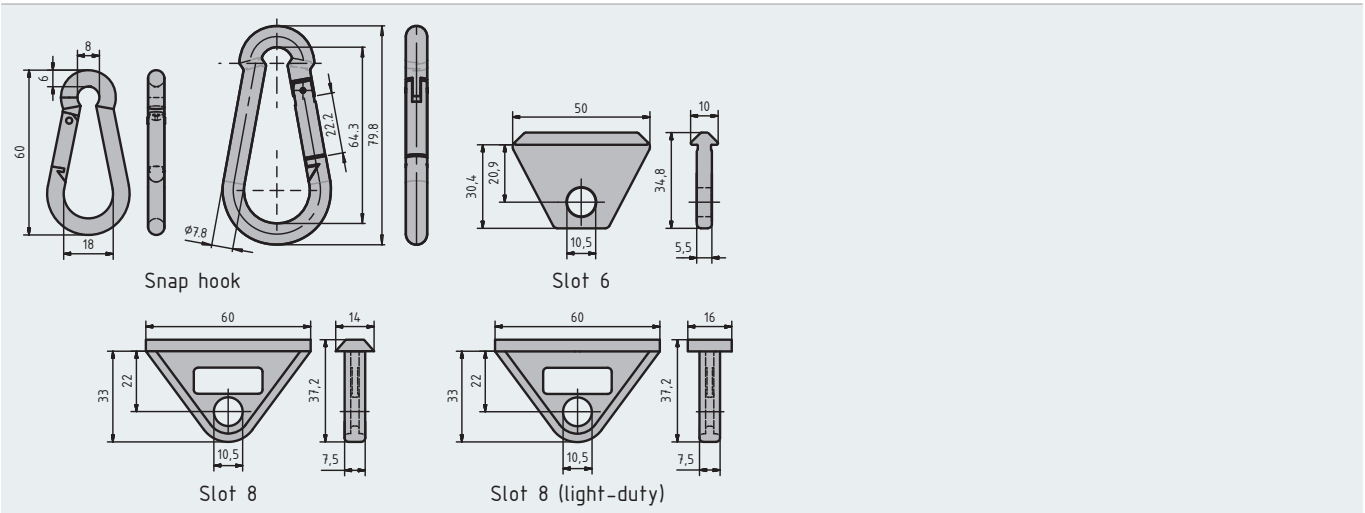
Snap hook & sliding tool hanger

Hang your tools and clear up your bench.
Cost-effective solution for sliding tool hangers.

Slides in the profile slot.

Slot nut can be used as stopper.

Material: Slide: Plastic (PA); fibreglass-reinforced / galvanised steel



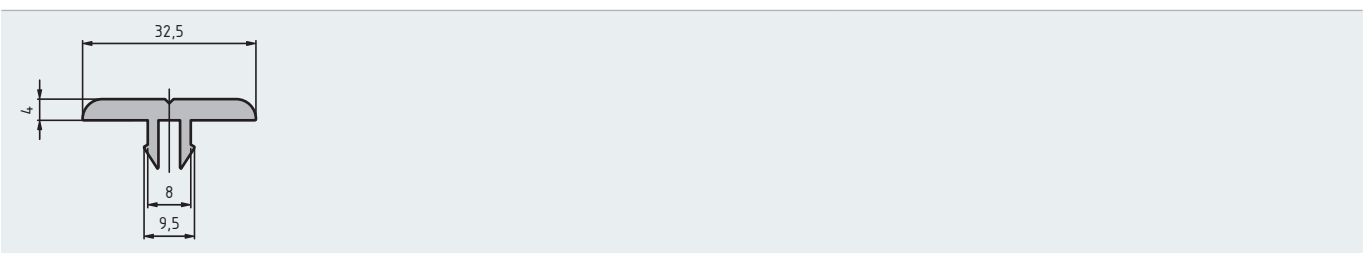
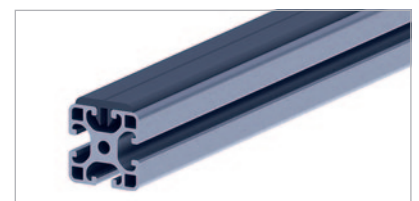
DESIGNATION	SLOT	H= (mm)	MATERIAL	F =	ARTICLE NUMBER
Snap hook		60	Galvanised steel		415901309
Snap hook		80	Stainless steel		405901310
Sliding tool hanger	6		Plastic (PA), fibreglass-reinforced	40 N	405218900
Sliding tool hanger	8		Plastic (PA), fibreglass-reinforced	150 N	405218901
Sliding tool hanger	8 (light-duty)		Plastic (PA), fibreglass-reinforced	200 N	405218902

Slide rail

For easily moving goods and tools holders or for use as safe rest of sensitive objects; or install vertically and use as stop ledge or guide rail.

Wear-resistant due to low slide friction.

Material: Black plastic (PE-HD)

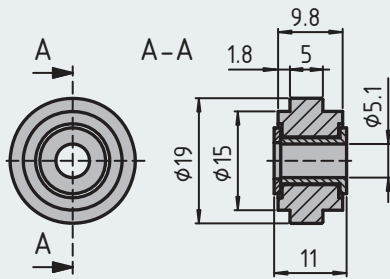
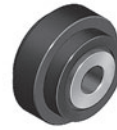


DESIGNATION	SLOT	ESD	LENGTH (mm)	ARTICLE NUMBER
Slide rail	8		2000	281006051
ESD slide rail	8		2000	281006050

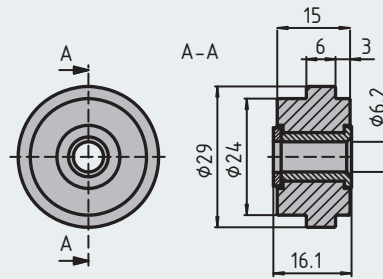
Runner

Guides moving parts along the aluminium profile slot.

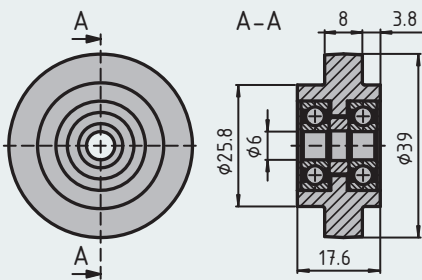
Material: Runner: Plastic (PA), glass bead-reinforced
 Socket: Galvanised steel
 Washer: Galvanised steel



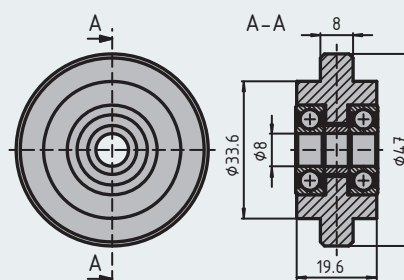
Slot 5



Slot 6

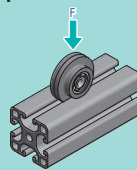


Slot 8; 39.0 mm



Slot 8; 47.0 mm

DESIGNATION	SLOT	D=	F =	ARTICLE NUMBER
Runner	5	19.0 mm	100 N	253218001
Runner	6	29.0 mm	250 N	263218002
Runner	8	39.0 mm	150 N	283218003
Runner	8	47.0 mm	150 N	283218004



Clip-Fix roller element

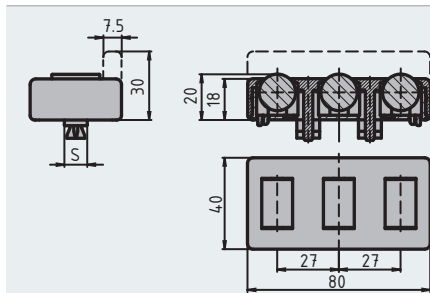
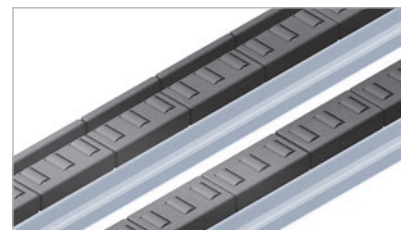
For making roller conveyors of any width and length. The cheese head screws provided hold the roller element by spreading the Clip-Fix device

Package includes 2 × M5 × 25 cheese head screw each

Material: Housing: Plastic (PA), glass bead-reinforced

Rollers: Plastic (POM)

Mounting set: Steel



DESIGNATION	SLOT	CARRYING CAPACITY	ARTICLE NUMBER
Roller element 80 × 40 × 18 mm, with stop, pinned, 3 rollers	8	50 N	405800300
Roller element 80 × 40 × 18 mm, without stop, pinned, 3 rollers	8	50 N	405800301

Screw-type roller element

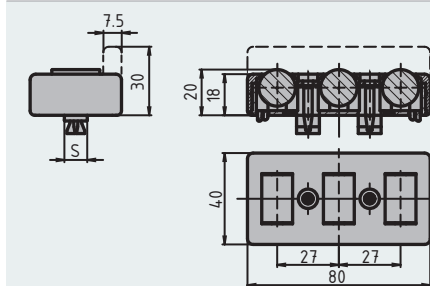
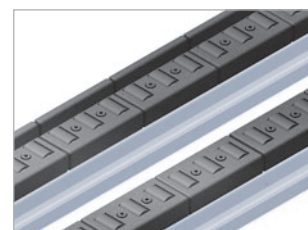
For making roller conveyors of any width and length.

Package includes 2 × M5 × 25 cheese head screw each

Material: Housing: Plastic (PA), glass bead-reinforced

Rollers: Plastic (POM)

Mounting set: Steel



DESIGNATION	SLOT	CARRYING CAPACITY	ESD	ARTICLE NUMBER
Roller element 80 × 40 × 18 mm, with stop, screwed with Clip-Fix, 3 rollers	8	50 N	—	405801200
Roller element 80 × 40 × 18 mm, without stop, screwed with Clip-Fix, 3 rollers	8	50 N	—	405801201
Roller element 80 × 40 × 18 mm, with stop, screwed, 3 rollers	8	50 N		405801202
Roller element 80 × 40 × 18 mm, without stop, screwed, 3 rollers	8	50 N		405801203

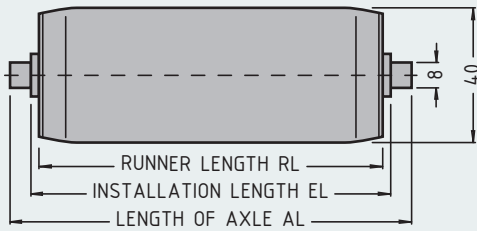
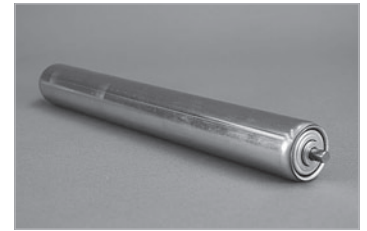
Support rollers



Material: Steel

Support roller holder: Steel sheet base

Bearing: V2.00 with ball holder and steel balls



DESIGNATION	RL	EL	AL	LOAD	ARTICLE NUMBER
Support roller ST300	219 mm	225 mm	245 mm	150 kg	402525737
Support roller ST400	319 mm	325 mm	345 mm	130 kg	402525738
Support roller ST500	419 mm	425 mm	445 mm	80 kg	402525739
Support roller ST600	519 mm	525 mm	545 mm	60 kg	402537163

Roller support

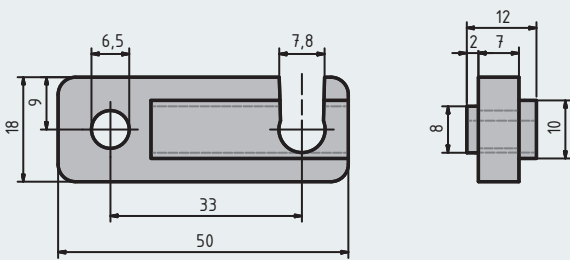
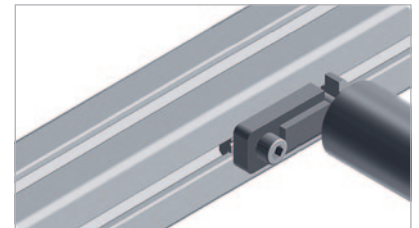
Mounts runners on aluminium profiles.

Allows you to replace single rollers without having to disassemble the profile construction.

Simply turn over to change from slot 8 to slot 10 or vice versa.

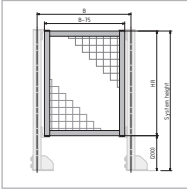
Material: Plastic (PA), fibreglass-reinforced

Colour: black

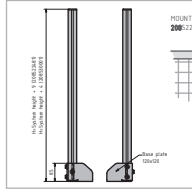


DESIGNATION	F =	ESD	SLOT	ARTICLE NUMBER
Roller support	300 N		8 & 10	402535667
Roller support	300 N		8 & 10	402535671

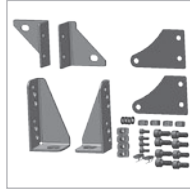
SAFEGUARDS



Page 10|4
Safety frame



Page 10|7
System pillars



Page 10|11
Mounting kit



Page 10|12
Mounting bracket



Page 10|13
System pillar base plates



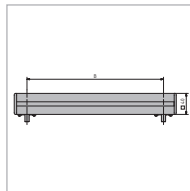
Page 10|13
Washer



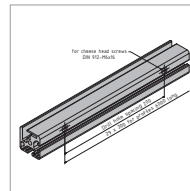
Page 10|14
Safety grid cap



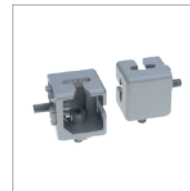
Page 10|14
System door



Page 10|15
Door profile



Page 10|16
Clamping profile
40 x 40



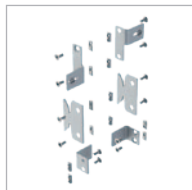
Page 10|18
Connector 40 x
40E



Page 10|18
Clamping profile
suspension bracket



Page 10|19
Cross connector for
clamping profile



Page 10|19
Safety suspension
bracket

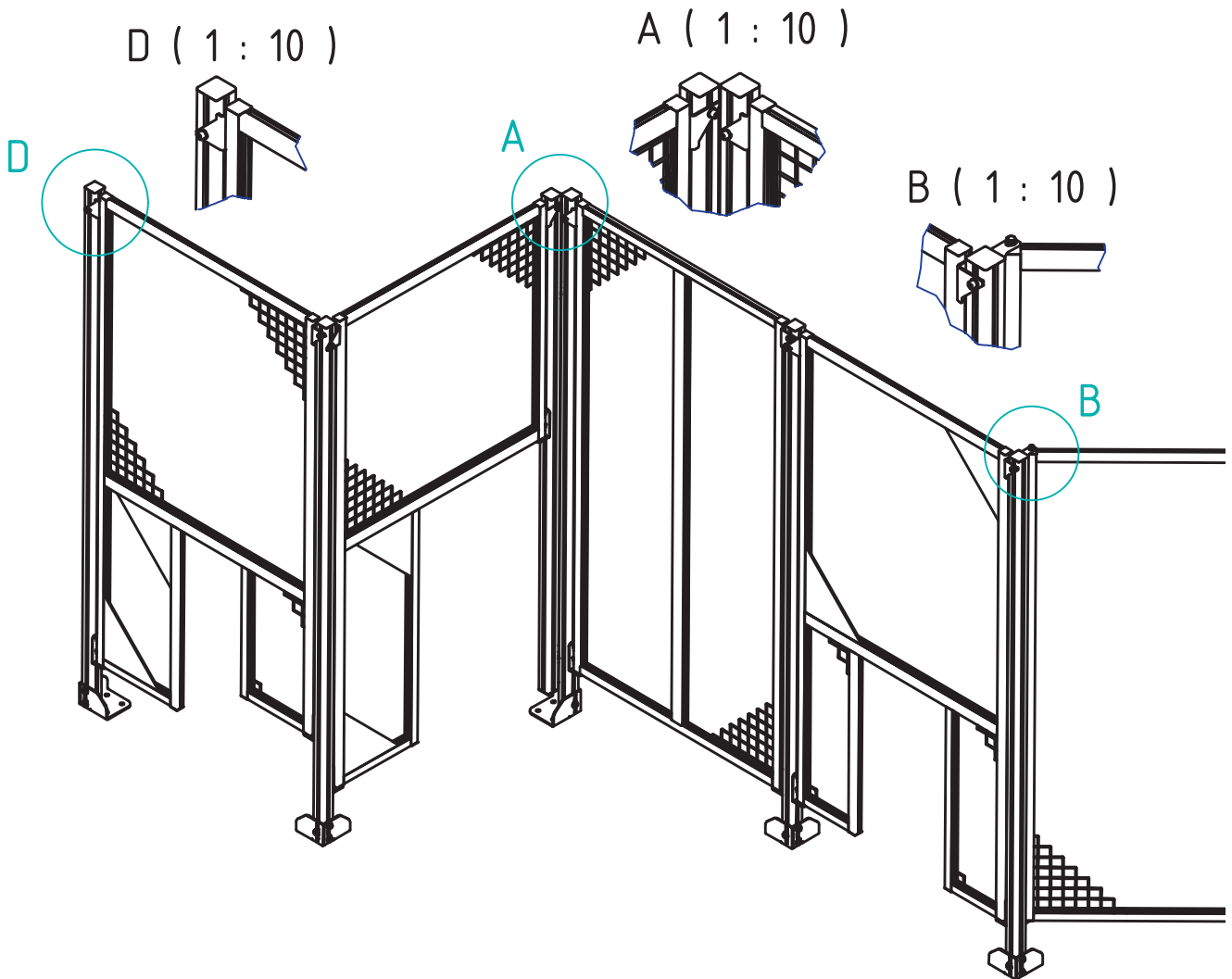


Page 10|20
Suspension
bracket 6-8



Page 10|20
Suspension
bracket

Safety fence



The Syskomp safety fence system not only ensures a high level of safety in your company but also adapts to the specific requirements of your machinery and production equipment and can be extended at any time.

The size you specify will of course be considered plus as well as any recesses you may need for your production requirements.

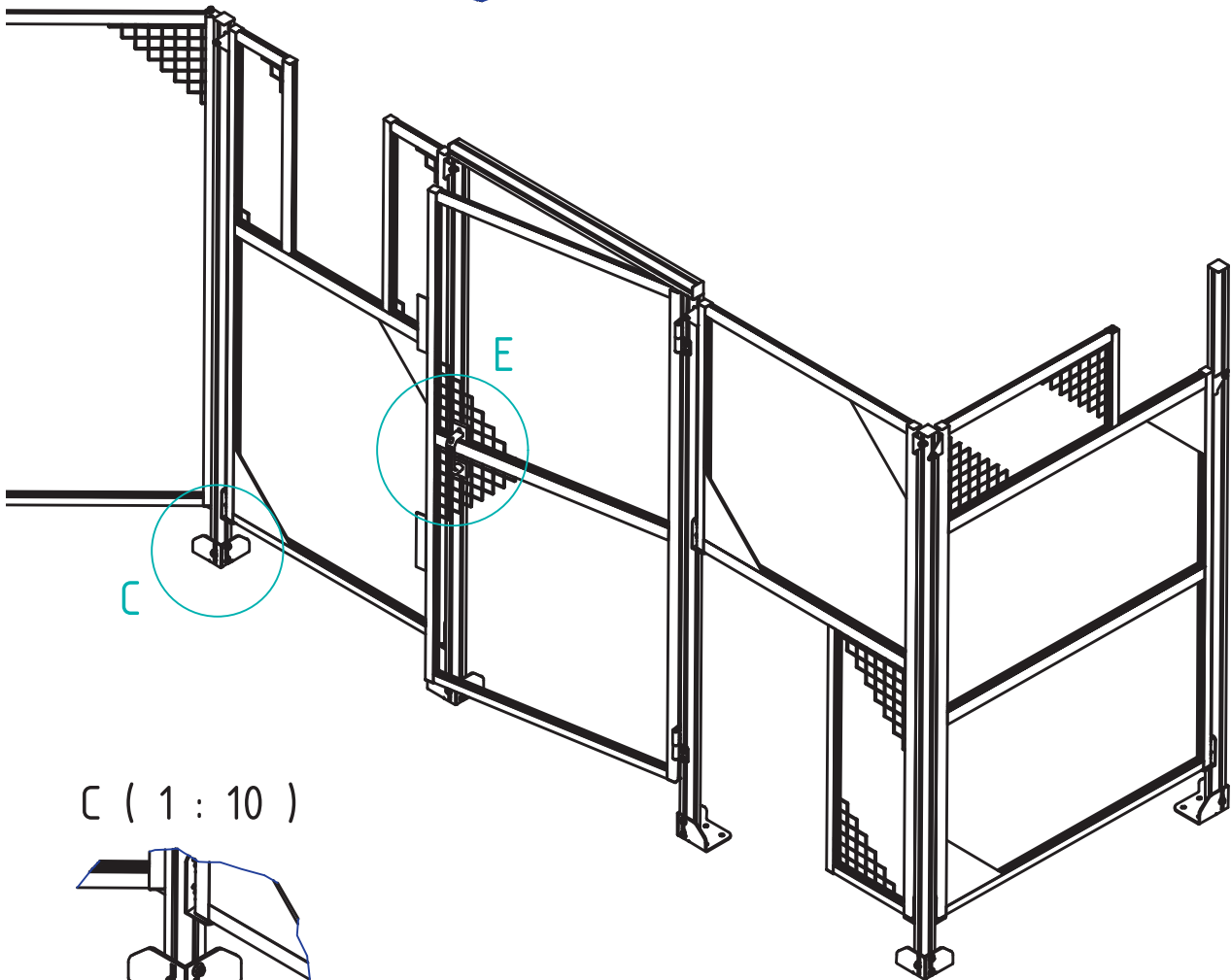
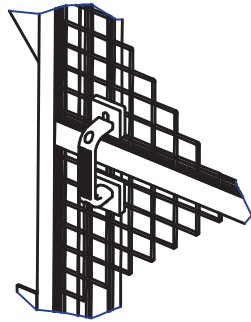
Apart from standard elements such as wave grids, spot-welded grids or polycarbonate, we can accommodate other elements tailored to your specific needs. Please send us your request.

Use the frames or wave grids powder-coated in various colours to create contrasting views into safeguarded areas which will make it easier to recognise access and escape routes.

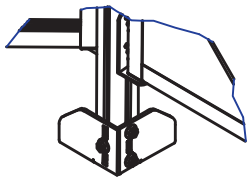
Apart from project planning, production and delivery, we will assist your entire planning of a cost-effective solution, render competent on-site and off-site advice based on long years of experience and assemble the system directly on your site, if you so wish. Another option is to order pre-assembled safety frame kits which you install yourself.

Discover the wealth of options and **challenge us**.

E (1 : 10)



C (1 : 10)



Safety frame

Safety frame made of safety grid profiles.

Supplied fully assembled.

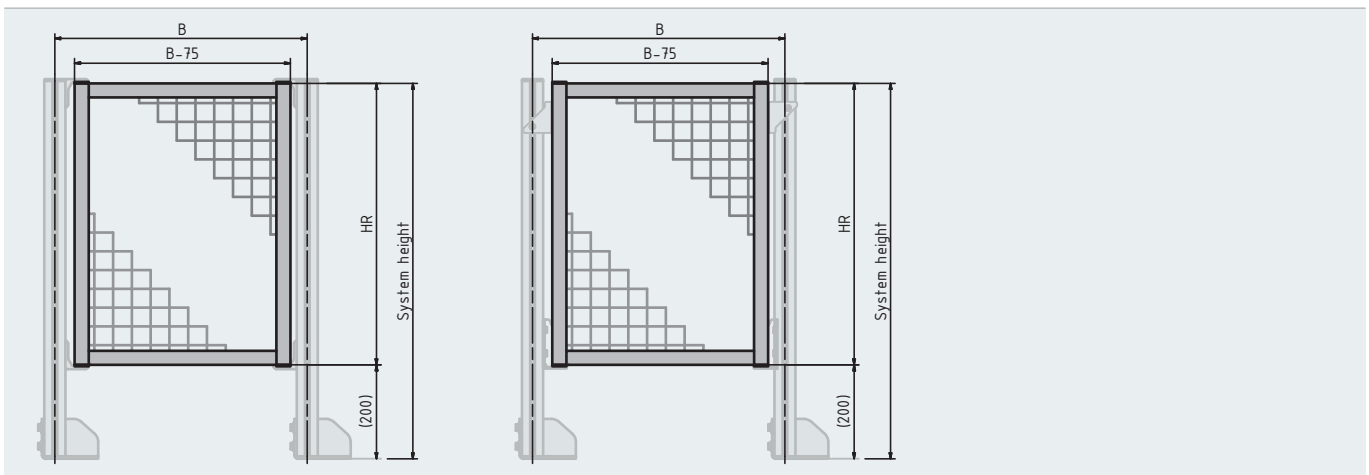
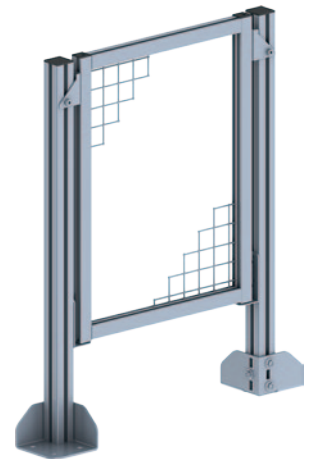
Horizontally or vertically divided safety frames provide large surfaces with extra stability. Coloured wave grids improve the contrast when looking into safeguarded areas and make it easier to recognise access and escape routes.

Material: Frame: Anodised aluminium

Filled with: customised elements

Mounting kits (mounting bracket or mounted on the safety fence) and supports are sold separately. Both mounting kits create the same spacing between the safety frames and the supports (B-75).

Note: Special colours will cause some basic extra costs which you will only incur once per ordered lot.



Filling element design options (specify on your order form):

- 1 = wave grid, 40 × 40 × 3.8, galvanised
 - 2 = wave grid, 40 × 40 × 3.8, powder-coated (special colour), RAL
 - 3 = wave grid, 30 × 30 × 3, galvanised
 - 4 = wave grid, 30 × 30 × 3, powder-coated (special colour), RAL
 - 5 = spot-welded grid, 30 × 30 × 3, black (RAL9005)
 - 6 = polycarbonate, t = 5 mm, clear
 - 7 = wave grid, 40 × 40 × 3.8, RAL9005
- Other filling elements upon request.

DESIGNATION	HR (mm)	B (mm)	DESIGN	ARTICLE NUMBER
Safety frame	160...2300	250...1500	1 ... 6	408994783

Example:	Designation	HR (mm)	B (mm)	Filling element design options: see above 1 to 6
408 994783	Safety frame	1800	1000	1*

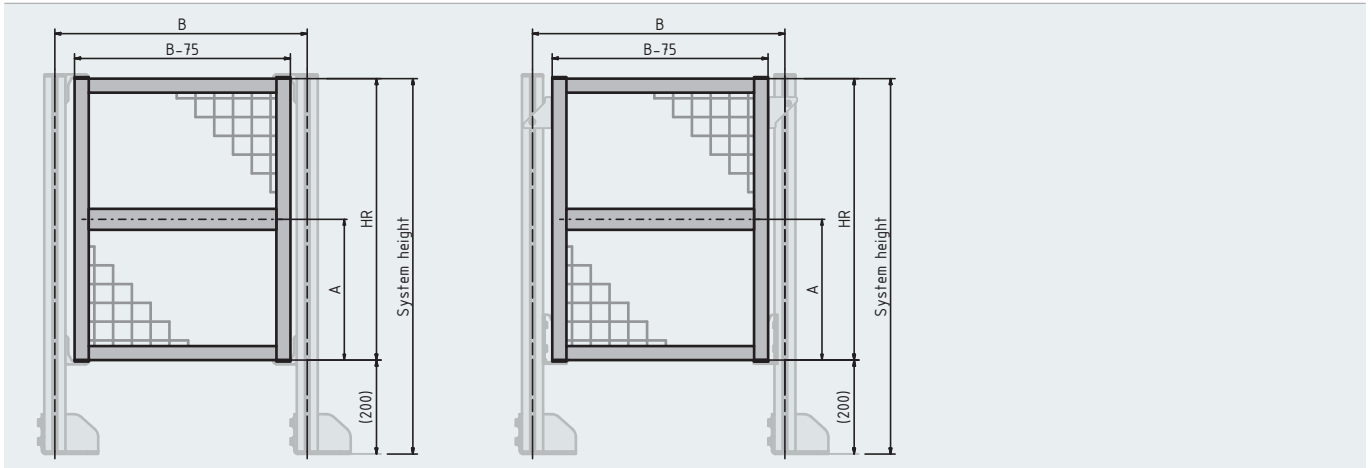
* In this example: wave grid, 40 × 40 × 3.8, galvanised

Horizontally divided safety frame

Material: Frame: Anodised aluminium
 Filled with: customised elements

Mounting kits (mounting bracket or mounted on the safety fence) and supports are sold separately. Both mounting kits create the same spacing between the safety frames and the supports (B-75).

Note: Special colours will cause some basic extra costs which you will only incur once per ordered lot.



Filling element design options (specify on your order form):

- 1 = wave grid, 40 × 40 × 3.8, galvanised
 - 2 = wave grid, 40 × 40 × 3.8, powder-coated (special colour), RAL
 - 3 = wave grid, 30 × 30 × 3, galvanised
 - 4 = wave grid, 30 × 30 × 3, powder-coated (special colour), RAL
 - 5 = spot-welded grid, 30 × 30 × 3, black (RAL9005)
 - 6 = polycarbonate, t = 5 mm, clear
 - 7 = wave grid, 40 × 40 × 3.8, RAL9005
- Other filling elements upon request.

DESIGNATION	HR (mm)	B (mm)	A (mm)	DESIGN	ARTICLE NUMBER
Horizontally divided safety frame	250...2300	250...1500	Customised	1 ... 6	408994785

Example:	Designation	HR (mm)	B (mm)	A (mm)	Filling element design options: see above 1 to 6
408 994785	Horizontally divided safety frame	1800	1000	500	2*

* In this example: wave grid, 40 × 40 × 3.8, powder-coated, RAL9005

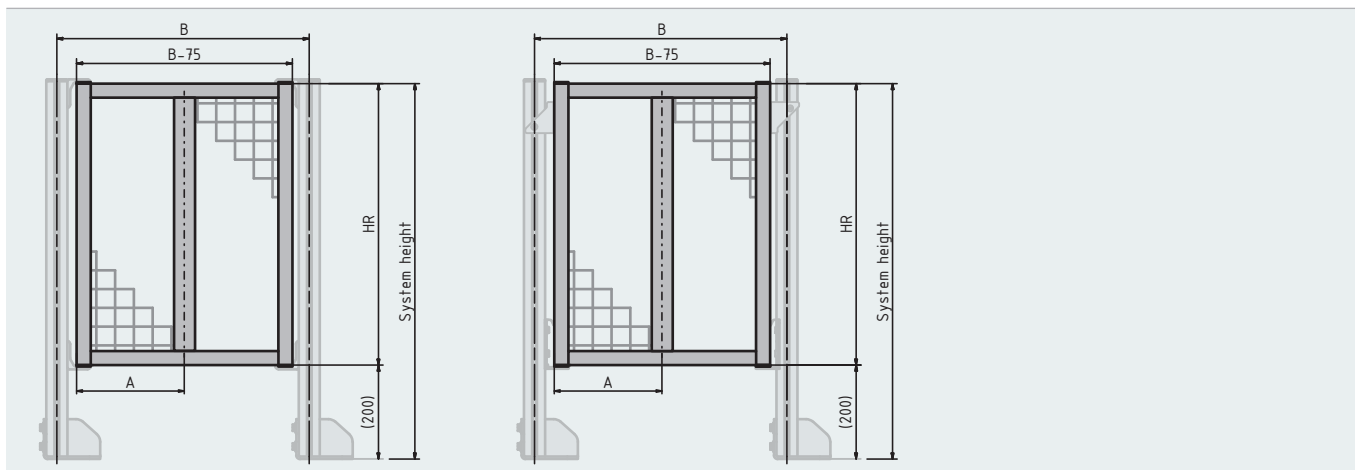
Vertically divided safety frame

Material: Frame: Anodised aluminium

Filled with: customised elements

Mounting kits (mounting bracket or mounted on the safety fence) and supports are sold separately. Both mounting kits create the same spacing between the safety frames and the supports (B-75).

Note: Special colours will cause some basic extra costs which you will only incur once per ordered lot.



Filling element design options (specify on your order form):

- 1 = wave grid, 40 × 40 × 3.8, galvanised
 - 2 = wave grid, 40 × 40 × 3.8, powder-coated (special colour), RAL
 - 3 = wave grid, 30 × 30 × 3, galvanised
 - 4 = wave grid, 30 × 30 × 3, powder-coated (special colour), RAL
 - 5 = spot-welded grid, 30 × 30 × 3, black (RAL9005)
 - 6 = polycarbonate, t = 5 mm, clear
 - 7 = wave grid, 40 × 40 × 3.8, RAL9005
- Other filling elements upon request.

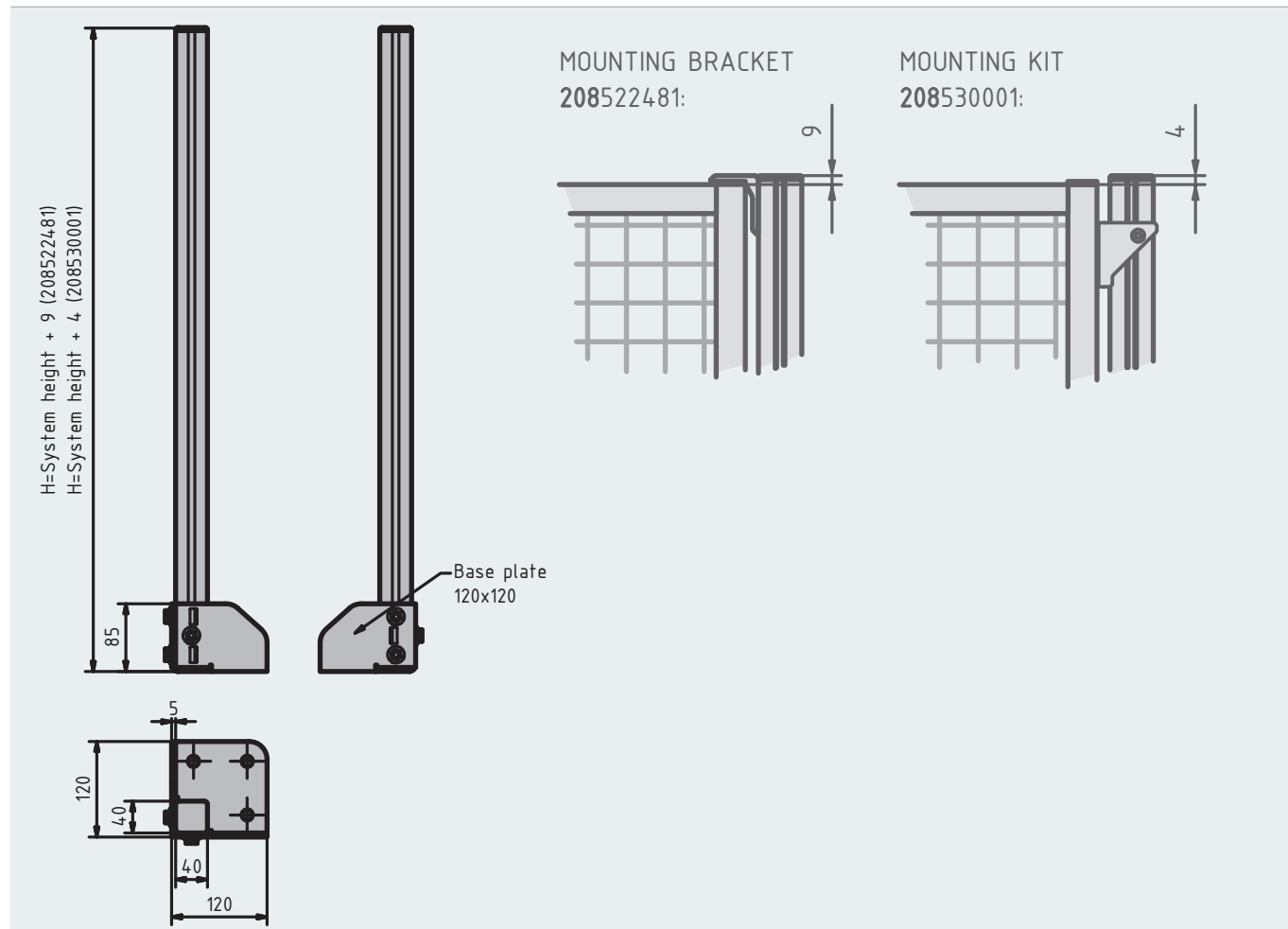
DESIGNATION	HR (mm)	B (mm)	A (mm)	DESIGN	ARTICLE NUMBER
Vertically divided safety frame	250...2300	250...1500	Customised	1 ... 6	408994784

Example:	Designation	HR (mm)	B (mm)	A (mm)	Filling element design options see above 1 to 6
408 994784	Vertically divided safety frame	1800	1000	500	3*

* In this example: wave grid, 30 × 30 × 3, galvanised

System pillar 40 × 40 L

Fully assembled system pillar including base plate, brace profile, cap and screws for assembling the safety frames. System height details: see safety frame (p 10|4 to p 10|6).



Type of fastener:

- 1 = mounting bracket 208522481
- 2 = mounting kit 208530001

DESIGNATION	H (mm)	TYPE OF FASTENER	ARTICLE NUMBER
System pillar 40 × 40 L	450 ... 2200	1 or 2	208999471

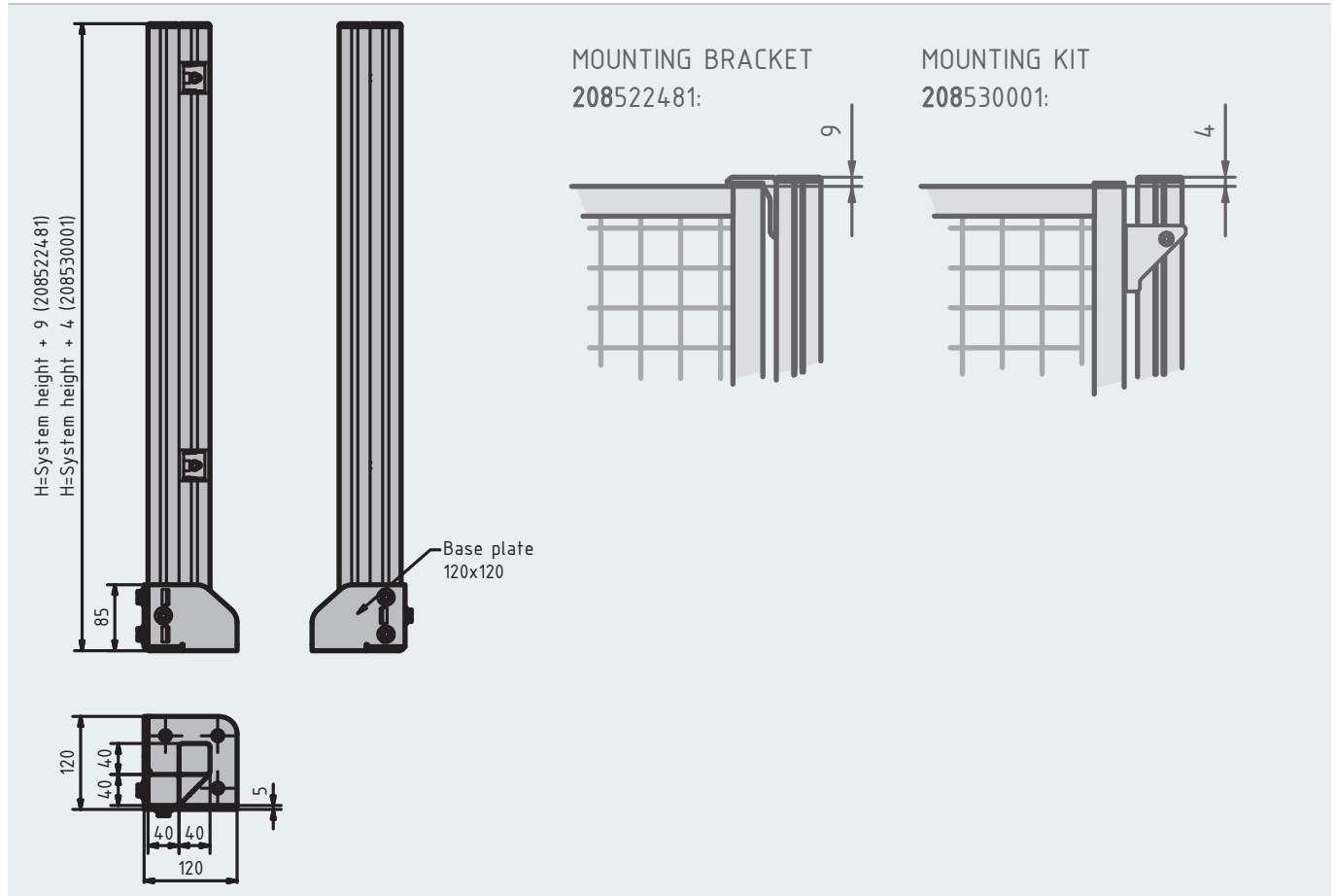
Example:	Designation	System height (mm)	Type of fastener
208999471	System pillar 40 × 40 L	2000	1*

* In this example: mounting bracket 208522481

System pillar 40 × 40 × 80 L

Fully assembled system pillar including base plate, aluminium profiles, caps and screws for assembling the safety frames. System height details: see safety frame (p 10|4 to p 10|6).

Can be used for inside corners towards the mounting kit.



Type of fastener:

1 = mounting bracket 208522481

2 = mounting kit 208530001

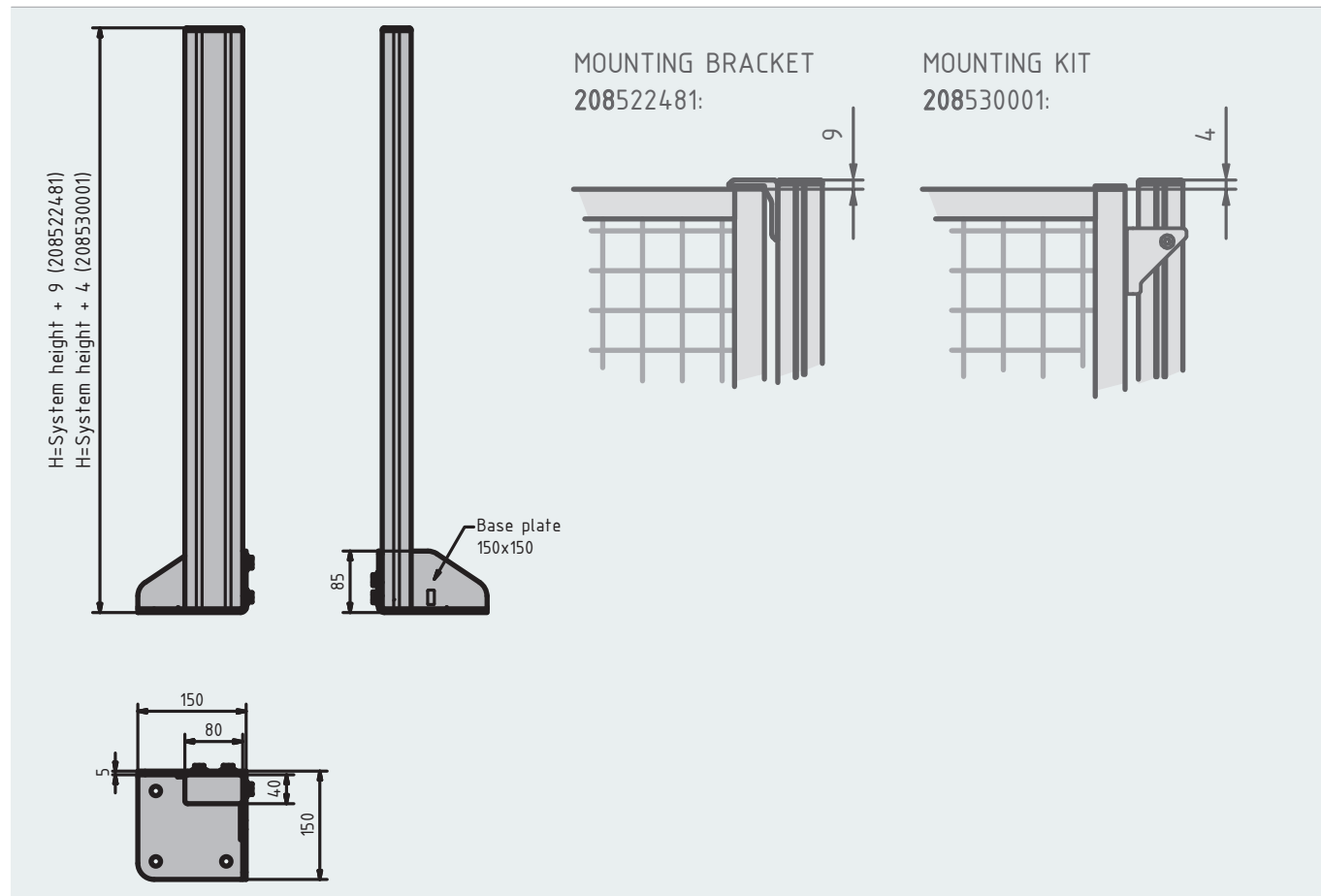
DESIGNATION	H (mm)	TYPE OF FASTENER	ARTICLE NUMBER
System pillar 40 × 40 × 80 L	450 ... 2200	1 or 2	208999472

Example:	Designation	System height (mm)	Type of fastener
208999472	System pillar 40 × 40 × 80 L	2000	2*

* In this example: mounting kit 208530001

System pillar 40 × 80 L

Fully assembled system pillar including base plate, aluminium profiles, caps and screws for assembling the safety frames. System height details: see safety frame (p 10|4 to p 10|6).



Type of fastener:

- 1 = mounting bracket 208522481
- 2 = mounting kit 208530001

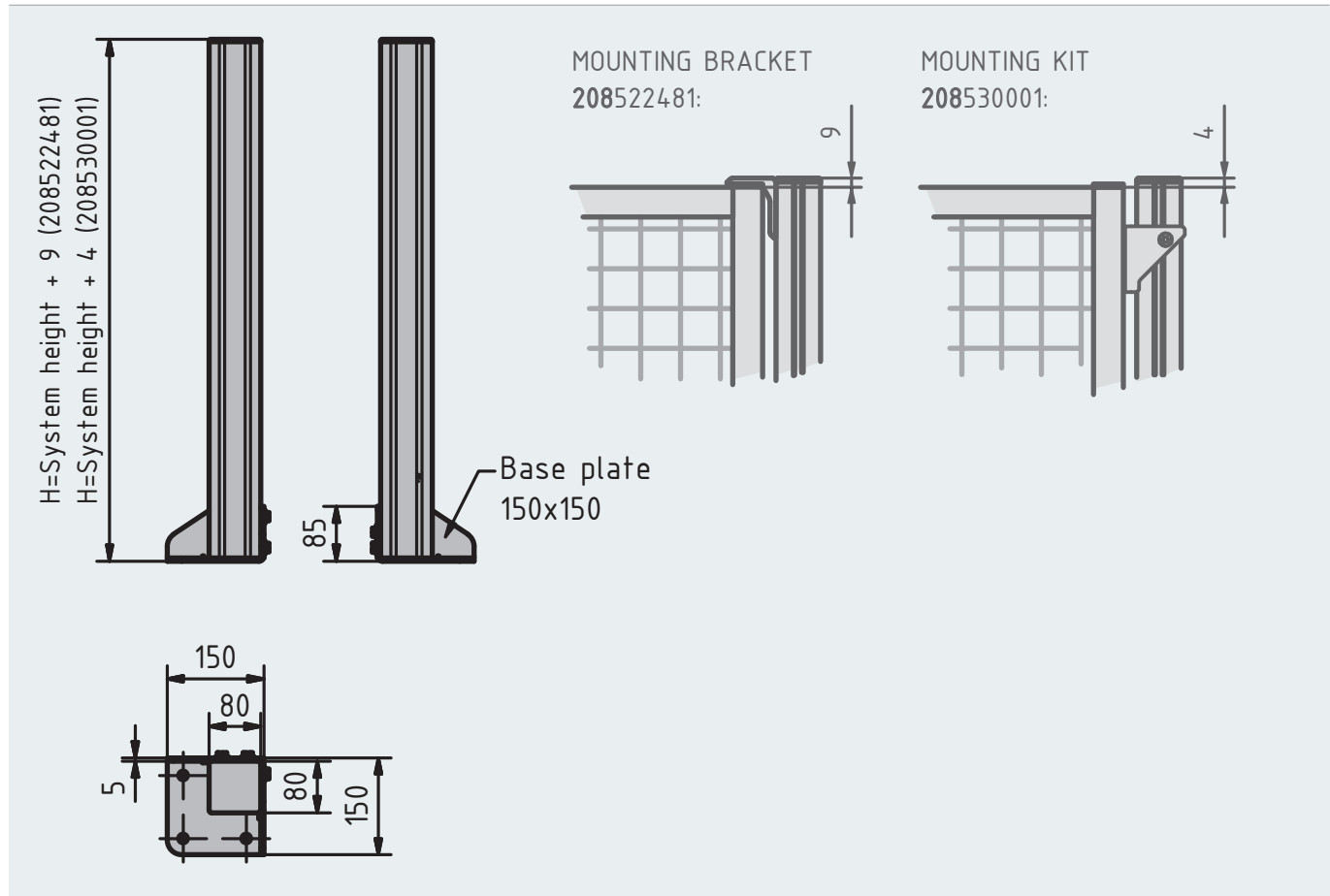
DESIGNATION	H (mm)	TYPE OF FASTENER	ARTICLE NUMBER
System pillar 40 × 80 L	450 ... 2200	1 or 2	208999473

Example:	Designation	System height (mm)	Type of fastener
208999473	System pillar 40 × 80 L	1950	2*

* In this example: mounting kit 208530001

System pillar 80 × 80 L

Fully assembled system pillar including base plate, aluminium profiles, caps and screws for assembling the safety frames. System height details: see safety frame (p 10|4 to p 10|6).



Type of fastener:

- 1 = mounting bracket **208522481**
- 2 = mounting kit **208530001**

DESIGNATION	H (mm)	TYPE OF FASTENER	ARTICLE NUMBER
System pillar 80 × 80 L	450 ... 2200	1 or 2	208999474

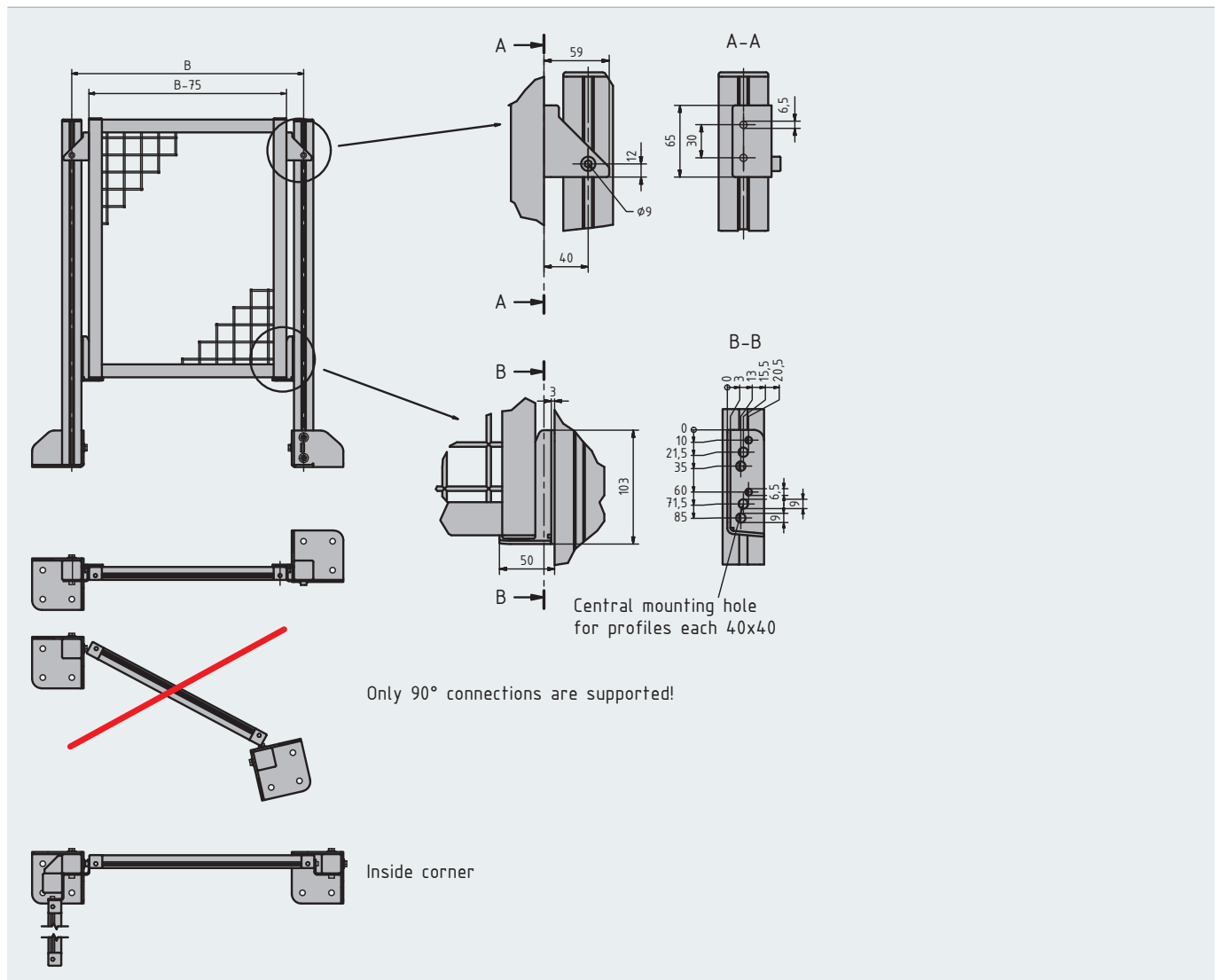
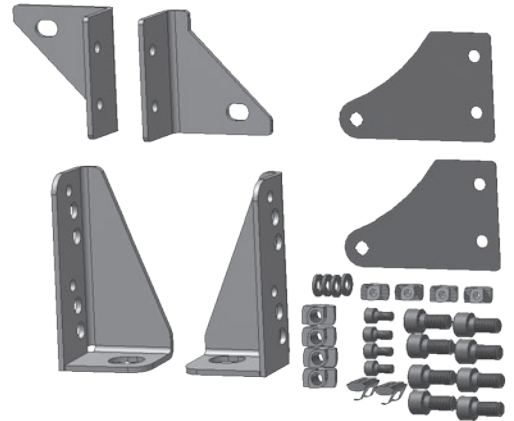
Example:	Designation	System height (mm)	Type of fastener
208999474	System pillar 80 × 80 L	1950	2*

* In this example: mounting kit **208530001**

Mounting kit

Mounts the safety fence on the pillar.
 Each mounting kit contains 2 captive elements.
 Use this mounting kit for easily mounting the safety frames between the system pillars.

Material: Bracket: Galvanised steel; blue chromate coating



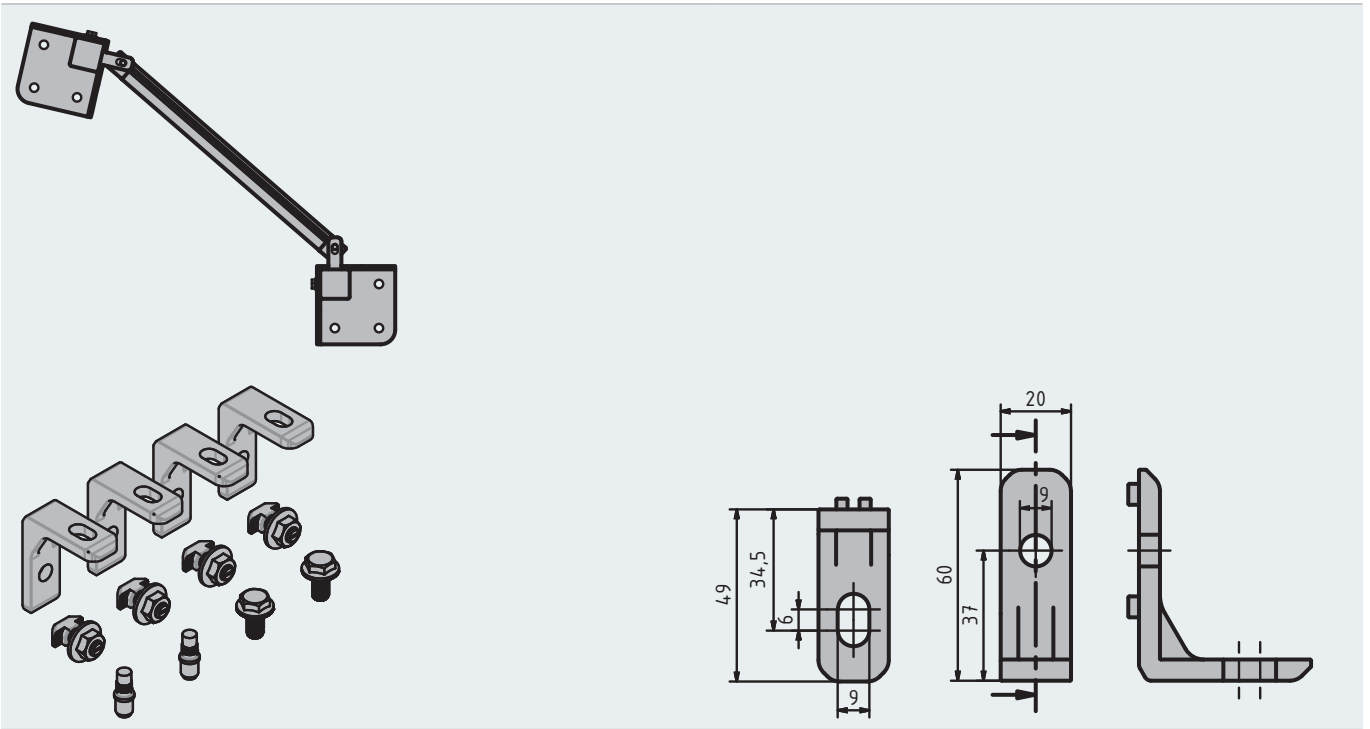
DESIGNATION	ARTICLE NUMBER
Mounting kit	208530001

Mounting bracket – set of securing hardware

Use to mount the safety frame on the pillar at any angle. Centring lugs on the mounting bracket act like anti-twist devices.

Material: Die-cast zinc; mounting material: galvanised steel

Package includes four brackets and mounting material per set



DESIGNATION	SLOT	ARTICLE NUMBER
Mounting bracket set	8	208522481
Securing hardware set for mounting bracket	8	406542146

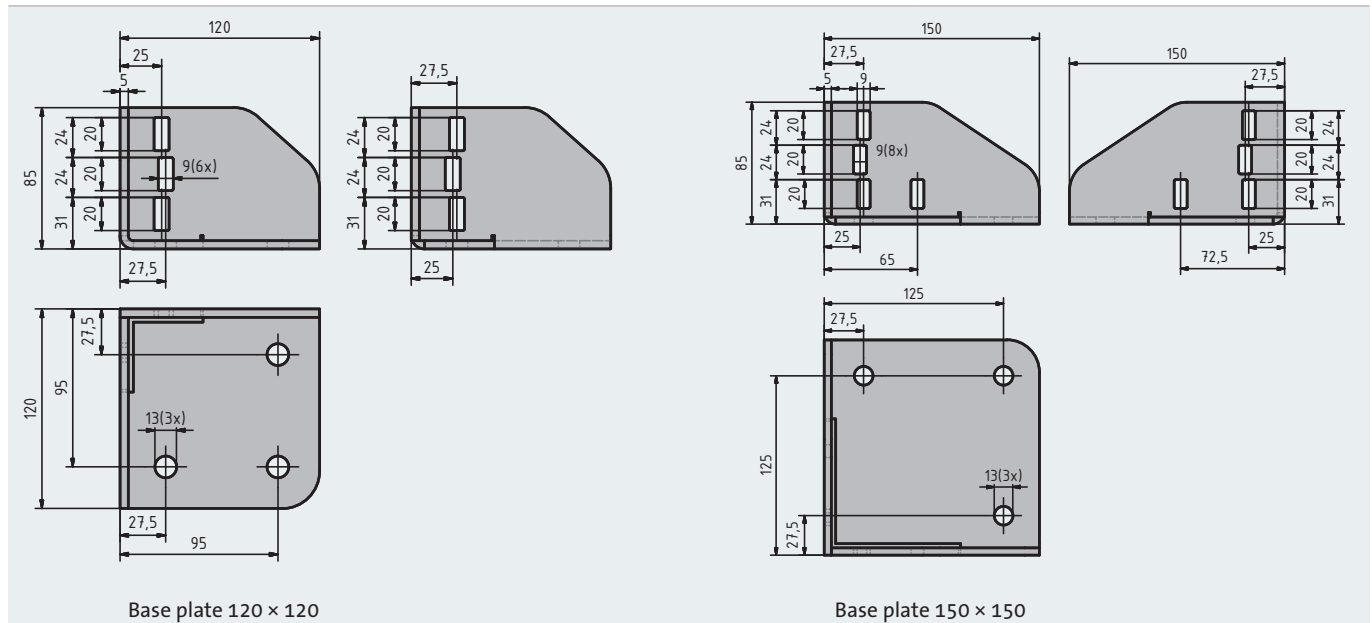
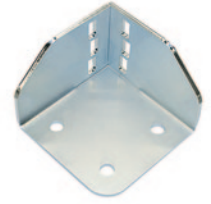
Base plate



Base plate for mounting a system pillar with aluminium profiles of the following sizes: 40 × 40, 40 × 80 and 80 × 80.

Material: Steel, blue chromate coating

Mounting instruction: ESD-ready only if using notched slot nuts.



Base plate 120 × 120

Base plate 150 × 150

DESIGNATION	ARTICLE NUMBER
Base plate 120 × 120	408520017
Base plate 150 × 150	408520011

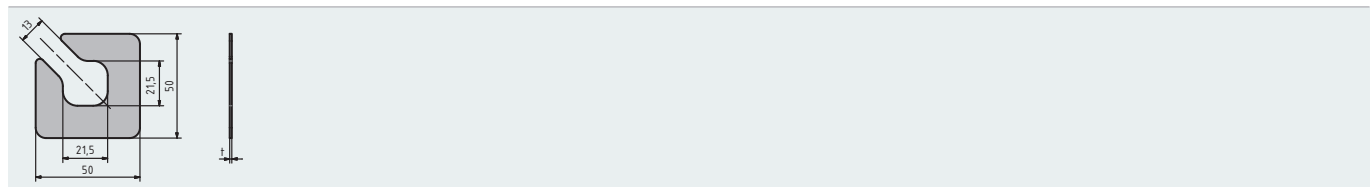
Washer

Levels out uneven floors

Material: Stainless steel



10

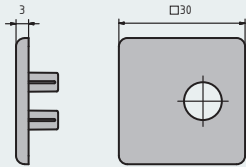


DESIGNATION	t (mm)	ARTICLE NUMBER
Washer	1	402528189

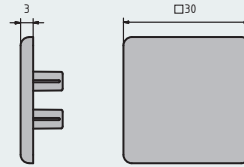
Safety grid profile cap

Improves the appearance and avoid injuries.

Material: Black plastic (PA)



Cap with hole



Cap without hole

DESIGNATION	ARTICLE NUMBER
Cap with hole, 30 × 30	482522345
Cap without hole, 30 × 30	482522346

System door

Use to build safety fence system doors of various sizes.

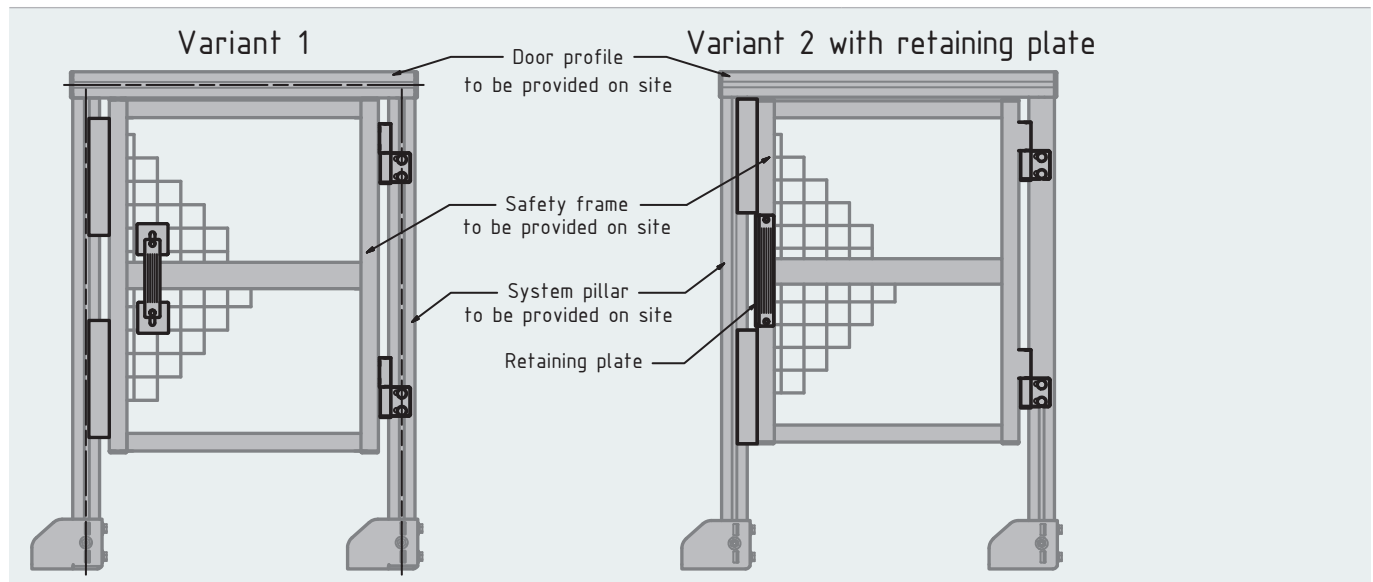
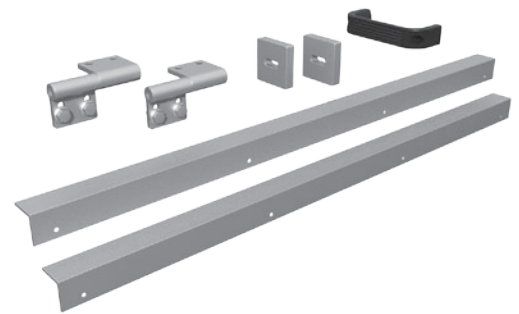
Doors can be hinged on the left or right.

On-site: door profile, safety frame, system pillar

Two design options:

Variant 1 with clamping elements for wave grids

Variant 2 with retaining plate for Makrolon panes



DESIGNATION	ARTICLE NUMBER
System door - kit variant 1 with clamping elements	208530003
System door - kit variant 2 with retaining plate	208530005

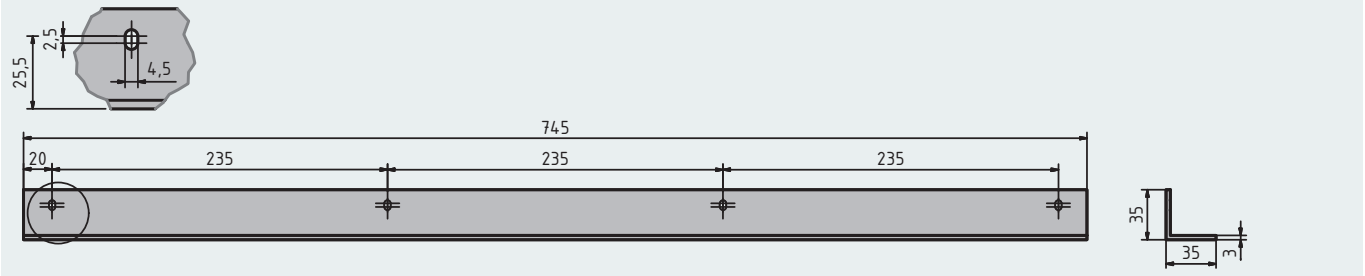
Door stop



Door stop for building your own system door.

Material: Steel, blue chromate coating

Mounting material: 4× cheese head screw, 4× hammer head nut for fastening on safety frames

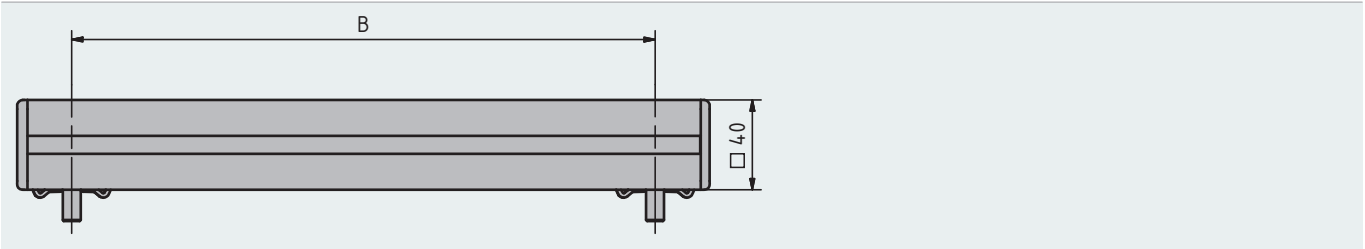


DESIGNATION	ARTICLE NUMBER
Door stop	408530002

Door profile

Use the door profile as lintel when assembling your system door.

The set includes 2× cap, 2× self-tapping S7 × 25 screw and machined aluminium profile 40 × 40L.



DESIGNATION	B	ARTICLE NUMBER
Door profile	Customised	208999102

Protection and partition wall elements N 8

new

For building particularly stable frame elements and suitable for safeguards with large surface areas.

Build your frame of clamping profiles by linking them using clamping profile coupling E or by directly screwing them down.

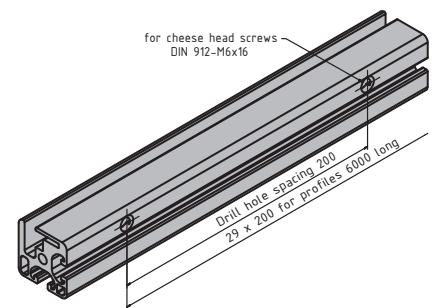
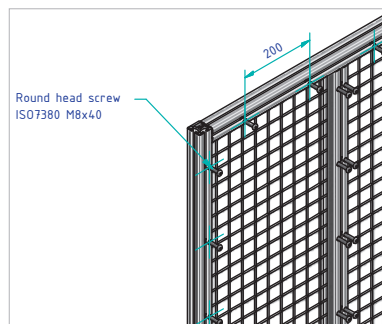
Clamping profiles with two surface elements can be installed at the profile's face end only. Remember to split the sectional strips of the continuous clamping profiles.

Your frame design must take account of the fact that horizontal clamping profiles connect to the face end only. Drill the relevant hole into the vertical profiles.

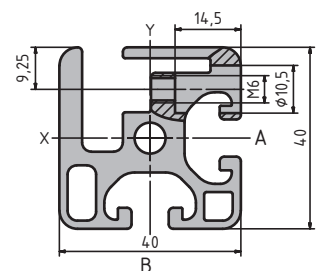
Clamping profile 40 × 40

new

To ensure proper clamping, use clamping bracket 8 40 × 40 1x per length.



Article number	281404140 (16 bars, 6000 mm each) 281404149 /... max. 6000 mm
Profile	Clamping profile 40 × 40
Slot	8 mm
Mass	2.01 kg/m
Moment of inertia	$I_y = 11.52 \text{ cm}^4$ $I_x = 10.14 \text{ cm}^4$
Section modulus	$W_y = 5.71 \text{ cm}^3$ $W_x = 4.86 \text{ cm}^3$
Profile surface	$A = 7.46 \text{ cm}^2$

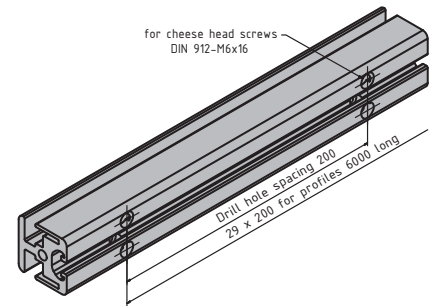


* Mount using M6 × 16 cheese head screws (ISO4762), article number 402150343 (Page 4|11 and following).

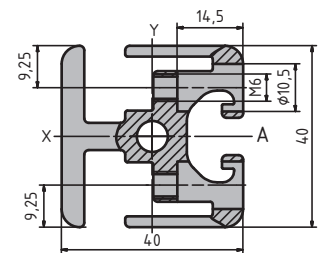
Clamping profile 40 × 40 180

new

To ensure proper clamping, use clamping bracket 8 40 × 40 2× per length.



Article number	281404150 (8 bars, 6000 mm each) 281404159 /... max. 6000 mm
Profile	Clamping profile 40 × 40 180
Slot	8 mm
Mass	2.33 kg/m
Moment of inertia	$I_y = 13.00 \text{ cm}^4$ $I_x = 11.19 \text{ cm}^4$
Section modulus	$W_y = 6.27 \text{ cm}^3$ $W_x = 5.59 \text{ cm}^3$
Profile surface	$A = 8.26 \text{ cm}^2$



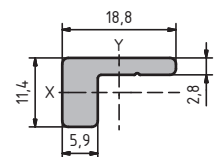
* Mount using M6 × 16 cheese head screws (ISO4762), article number **402150343** (Page 4|11 and following).

Clamping profile 40 × 40

new

Use together with clamping profile 8 40 × 40 or clamping profile 8 40 × 40 180

Article number	281404013 (16 bars, 6000 mm each) 281400109 /... max. 6000 mm
Profile	Clamping profile 40 × 40
Slot	8 mm
Mass	0.28 kg/m
Moment of inertia	$I_y = 0.27 \text{ cm}^4$ $I_x = 0.12 \text{ cm}^4$
Section modulus	$W_y = 0.21 \text{ cm}^3$ $W_x = 0.16 \text{ cm}^3$
Profile surface	$A = 1.02 \text{ cm}^2$



* Mount using M6 × 16 cheese head screws (ISO4762), article number **402150343** (Page 4|11 and following).

Slot 8 clamping profile connector 40 × 40E

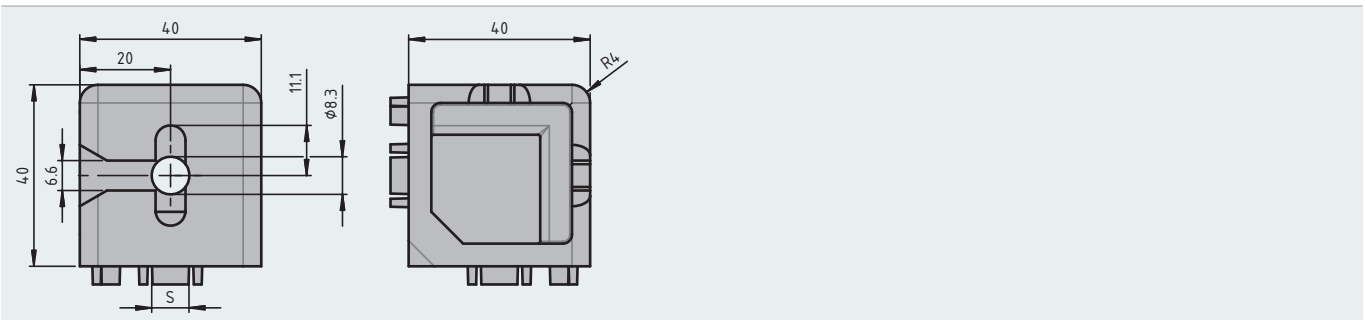
new

Use to link two aluminium profile at a right angle and to fit a frame element to a frame construction by means of a suitable suspension bracket; the top bracket defines the position, whereas the element is locked by moving the bottom bracket afterwards.



Material: Clamping profile connector:
Die-cast zinc, powder coated (aluminium)
Screws: Galvanised steel

Consists of: connector, 2 M8 × 20 screws (DIN912)



DESIGNATION	SLOT	ARTICLE NUMBER
Clamping profile connector 8 40 × 40E	8	282311600

Suspension bracket for clamping profile connector 40

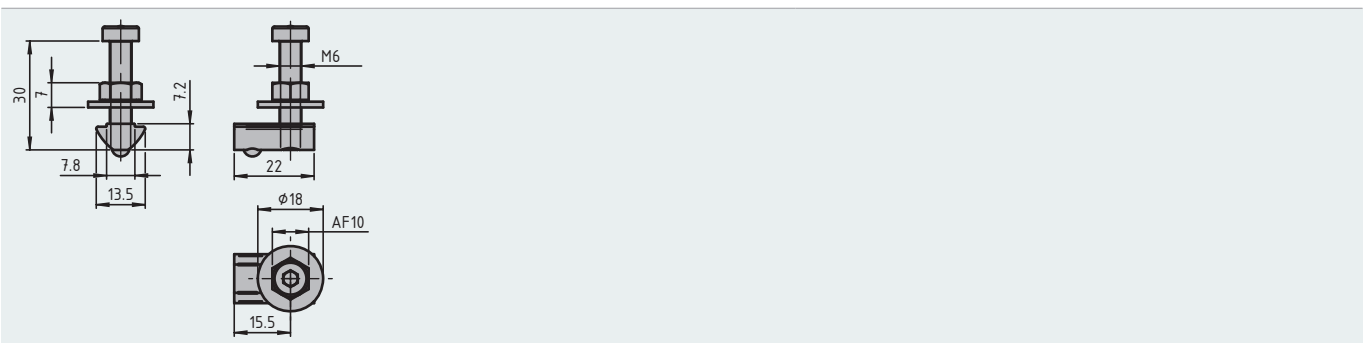
new

For fitting frame elements by clamping profile connectors 40; the suspension bracket is fully pre-assembled and intended for being pushed into the profile slot from the side and fasten with a nut; the top bracket defines the position, whereas the element is locked by moving the bottom bracket afterwards; leave a 12 mm gap between the frame element and the upright profiles; can be used to compensate for tolerances ±3 mm.



Material: slot nut, washer, nut, screw: Galvanised steel
Ball: Uncoated stainless steel

Consists of: 1× slot nut, 1× washer, 1× nut,
1× screw and ball – fully pre-assembled



DESIGNATION	SLOT	ARTICLE NUMBER
Suspension bracket for clamping profile connector 40	8	282311602

Cross connector for clamping profile 40 × 40 N8

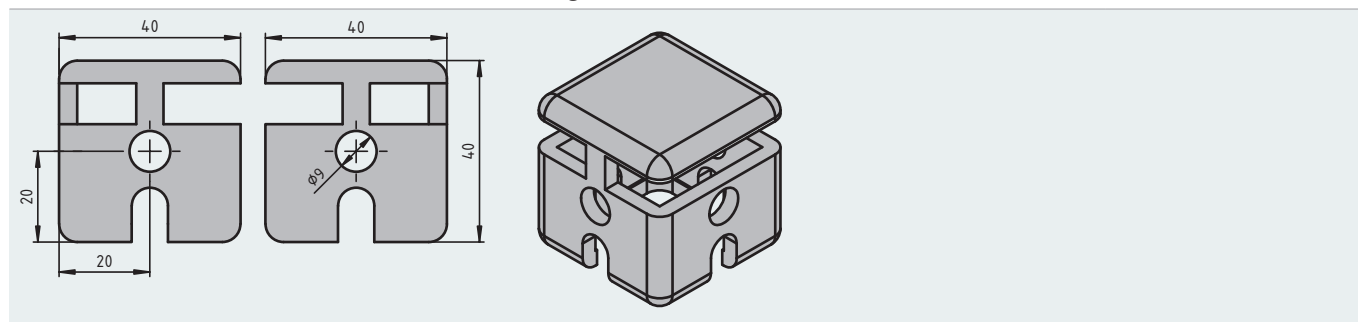
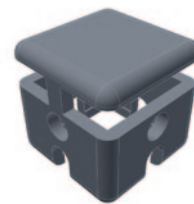
new

The cross connector allows you to interlink up to four clamping profiles. There are many design options.

It has been particularly designed with openings, perforations and inside corners of profile frame constructions made of clamping profiles in mind.

Mounting requires you to drill a M8 × 18 hole into core hole of every frame profile.

Material: Die-cast zinc, white aluminium coating



DESIGNATION	SLOT	ARTICLE NUMBER
Cross connector for clamping profile 40 × 40	8	282311601

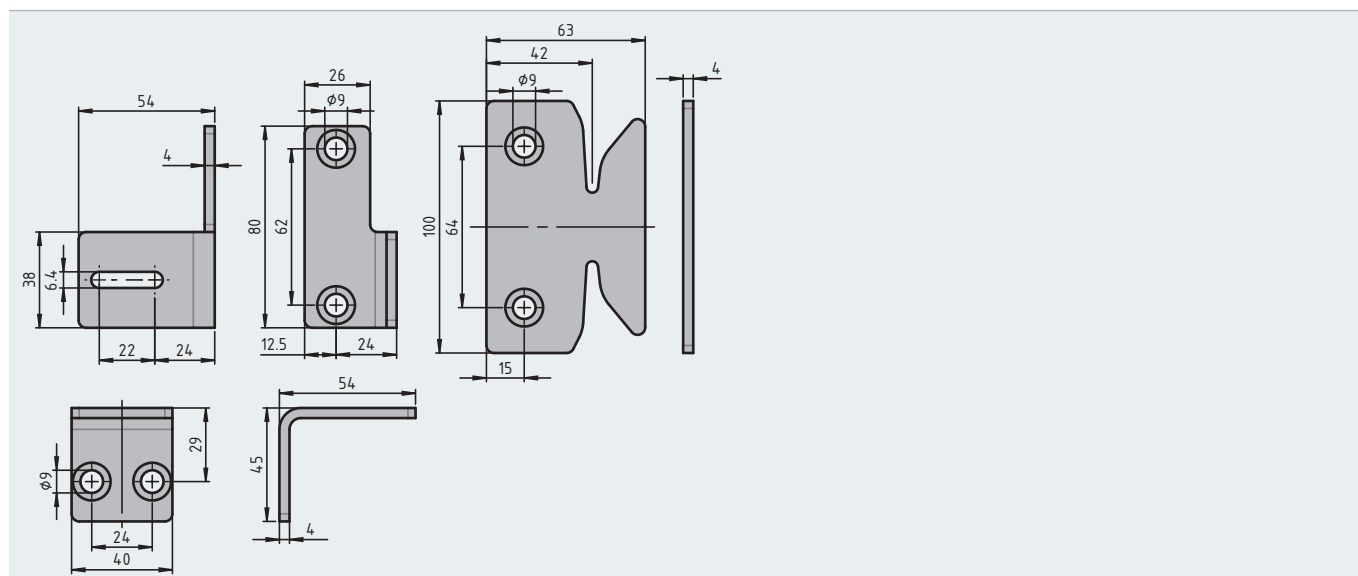
Suspension safety bracket 8/8

new

Convenient means of suspending safety fence panels in conformity with Machinery Directive 2006/42/EC; gap size: 12–26 mm

Material: Suspension bracket, support hook, support bracket, slot nuts: Galvanised steel
Countersunk screw: Uncoated stainless steel

Consists of: 2 suspensions brackets, 2 support hooks, 2 support brackets, 12 countersunk screws, 12 slot nuts



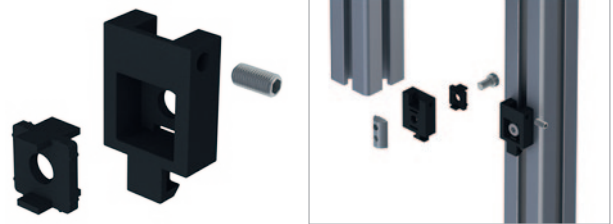
DESIGNATION	SLOT	ARTICLE NUMBER
Suspension safety bracket	8/8	282311700

Suspension bracket 6-8

Creates a particularly rigid link between frame elements and upright profiles.

Turning the anti-twist device in the suspension bracket lets you make combined use of slot 6 and slot 8 profiles.

Material: Die-cast zinc with a black powder coat



Hook in from above

Grub screw DIN913 M5x10

Hook in from below

Grub screw DIN913 M5x10

Variant 1:
You can mount the suspension bracket such that you can hook in the frame from above (fastened by the grub screw).

Variant 2:
You can mount the suspension bracket such that you can hook in the frame from below (fastened by the grub screw). Loosening the grub screw will make the frame fall down.

DESIGNATION	SLOT	F1 =	F2 =	ARTICLE NUMBER
Suspension bracket	6 & 8	700 N	250 N	404615600

Suspension bracket 8

Use to create a sturdy link between the frame element and the upright profile. Screws secure it against coming off or being removed.

Material: Black die-cast zinc



DESIGNATION	SLOT	ARTICLE NUMBER
Suspension bracket	8	284615601
Suspension bracket mounting kit	8	284615602

ACCESSORIES



Page 11|2
Limit switch
mount



Page 11|3
Buffer stop



Page 11|4
Earth connection



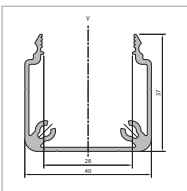
Page 11|4
Equipotential
bonding



Page 11|5
Cable tie mount



Page 11|6
Clip cable tie



Page 11|7
Cable duct



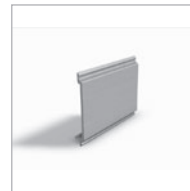
Page 11|8
Cable duct cap



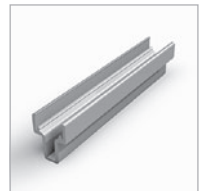
Page 11|8
Feed-through



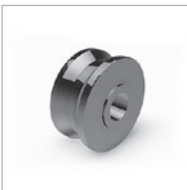
Page 11|9
Carrier profile



Page 11|9
Wall profile



Page 11|10
D14 shaft clamping
profile



Page 11|10
D14 runner



Page 11|11
D14 bearing units



Page 11|11
Wiping and lubrication
system



Page 11|12
Pneumatic terminal
board

Limit switch mount

Mounts the limit switch on profiles.
Position and angular position are perfectly adjustable.

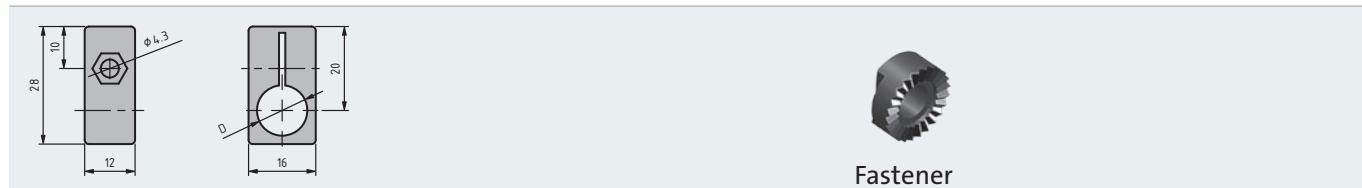
A form-fit anti-twist device for safety.

Fastener: Anti-twist device for different slot sizes

Material: Plastic (PA), fibreglass-reinforced

Mounting material: On-site

Please note: Add the article number of the fastener to your order form.



Fastener

DESIGNATION	D = (mm)	SLOT	ARTICLE NUMBER
Limit switch mount	6.5		202200200
Limit switch mount	8		202200201
Limit switch mount	12		202200202
Limit switch mount	18		202200203
Limit switch mount	20		202200204
Fastener		5	252200203
Fastener		6	262200204
Fastener		8	282200205
Fastener		10	212200206

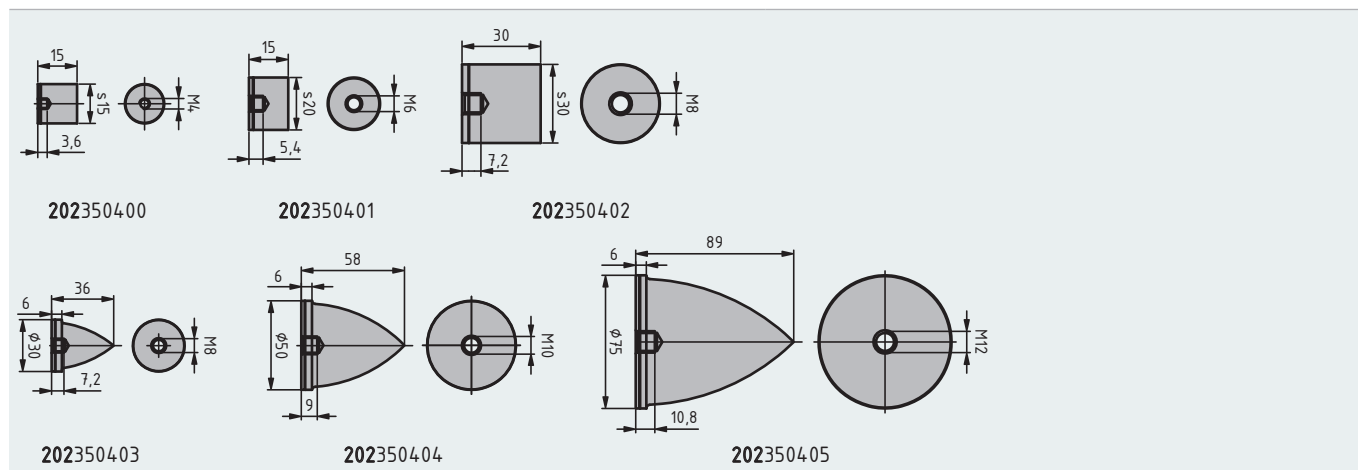
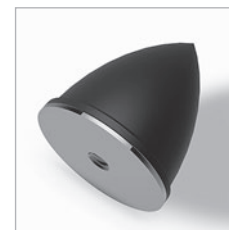
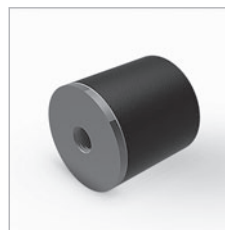
Buffer stop Parabolic springs

Rubber metal elements reliably dampen every impact.
Resistant to oil, grease, salt water and soap suds.
Can also be used as device stand.

Material: NBR, Steel insert

Colour: black

Hardness: 55 Sh A



DESIGNATION	a = (mm)	b = (mm)	c = (mm)	m = (g)	ARTICLE NUMBER
Buffer stop	M4	15	15	5.0	202350400
Buffer stop	M6	20	15	12.0	202350401
Buffer stop	M8	30	30	38.0	202350402
Parabolic spring	M8	30	36	26.0	202350403
Parabolic spring	M10	50	58	103.0	202350404
Parabolic spring	M12	75	89	319.0	202350405

Buffer stop

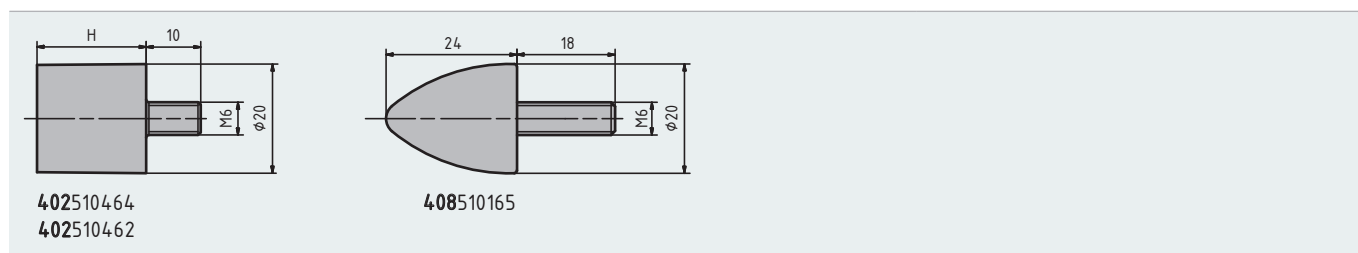
Dampens impact and noise from doors, flaps and hoods.

Material: Buffer: Natural rubber (NR) ≈ 55 Shore A

Threaded part: Steel

Surface: Threaded part: galvanised

On-site accessories: nut, M6 hammer head nut



DESIGNATION	H (mm)	ARTICLE NUMBER
Buffer stop 20 × 15	15	402510464
Buffer stop 20 × 20	20	402510462
Buffer stop 20 × 24	24	408510165

Earth connection



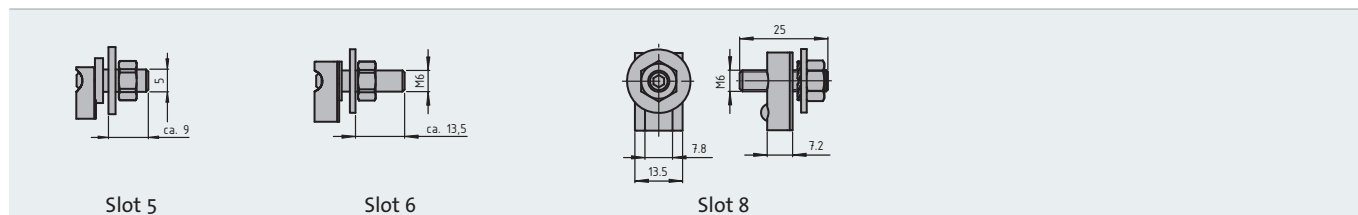
Protective earth connection for profile constructions.

Protects persons and equipment.

Reliable contact by durable screw connection.

On-site: cable lug

Material: Slot nut, set screw, serrated washer: Galvanised steel
Nut, washer: Brass



DESIGNATION	SLOT	ARTICLE NUMBER
Earth connection	5	255100102
Earth connection	6	265100101
Earth connection	8	285100100

Equipotential bonding

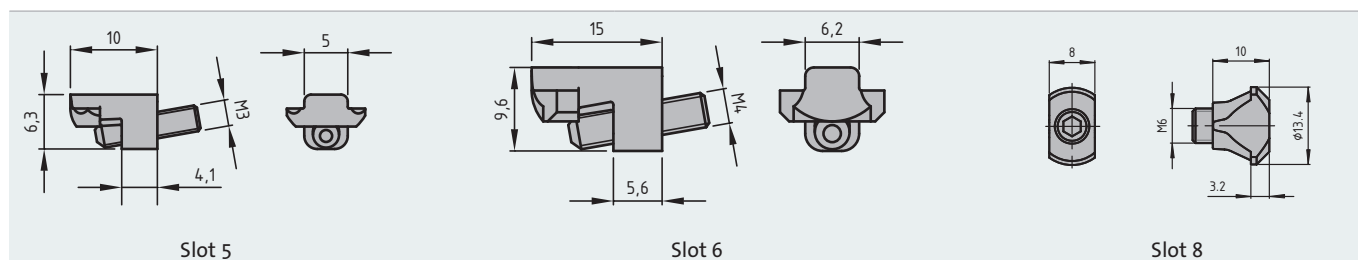


Reliably equalises electrostatically charged profiles.
By breaking through the anodised coating it creates a conductive connection.

Extra ESD safety which can also be installed later.

DIN915 grub screw included

Material: Galvanised steel



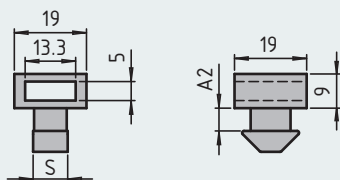
DESIGNATION	SLOT	ARTICLE NUMBER
Equipotential bonding, grub screw included	5	251005020
Equipotential bonding, grub screw included	6	261005003
Equipotential bonding, grub screw included	8	281005001

Cable tie mount

Fastens cables on a profile.

Mount: by turning the device in the slot by a quarter turn

Material: Black plastic (PA)



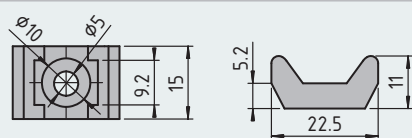
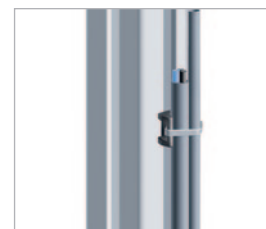
DESIGNATION	SLOT	A2=	ARTICLE NUMBER
Cable tie mount	8	4.5 mm	285400300

Universal cable tie mount – slot 5–8

Fastens cables on a profile.

Mount: by a hammer head nut or similar hardware

Material: Black plastic (PA)



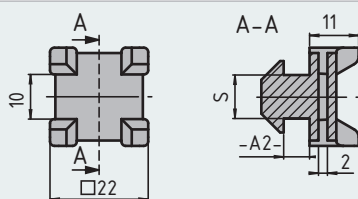
DESIGNATION	ARTICLE NUMBER
Universal cable tie mount	285400000

Cross cable tie mount – slot 5 & 8

Fastens cables along or across a profile.

Mounts by turning the device in the slot by a quarter turn.

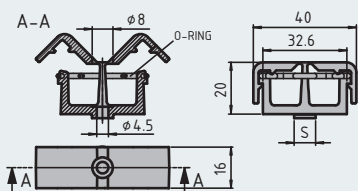
Material: Black plastic (PA)



DESIGNATION	SLOT	A2=	ARTICLE NUMBER
Cross cable tie mount	5	1.6 mm	205400200
Cross cable tie mount	8	4.4 mm	205400201

Clip cable tie – slot 8

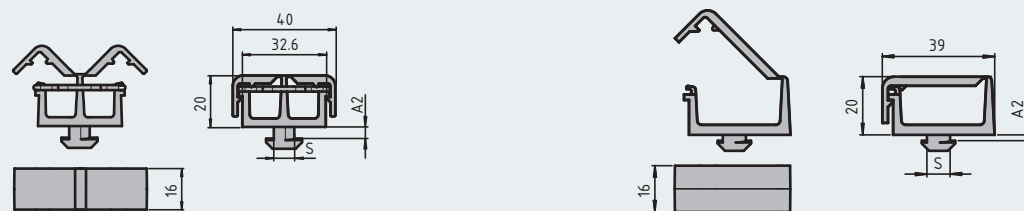
Reclosable fastening of cables without extra cable ties.
Mount: by M4 fillister or cheese head screws at the front
Material: Black plastic (PA)



DESIGNATION	SLOT	ARTICLE NUMBER
Clip cable tie with rubber	5	255400103 new
Clip cable tie with rubber	8	205400100

Clip cable tie with hammer

Reclosable fastening of cables without extra cable ties;
 Mounts by turning the device in the slot by a quarter turn.
Material: Black plastic (PA)



205400101

205400102 & 255400104

DESIGNATION	SLOT	A2=	ARTICLE NUMBER
Clip cable tie with hammer	5	1.6 mm	255400104 new
Clip cable tie with hammer	8	4.5 mm	205400101
Clip cable tie with hammer	8	4.5 mm	205400102

Cable duct & cover



Use to make installation ducts of various sizes.

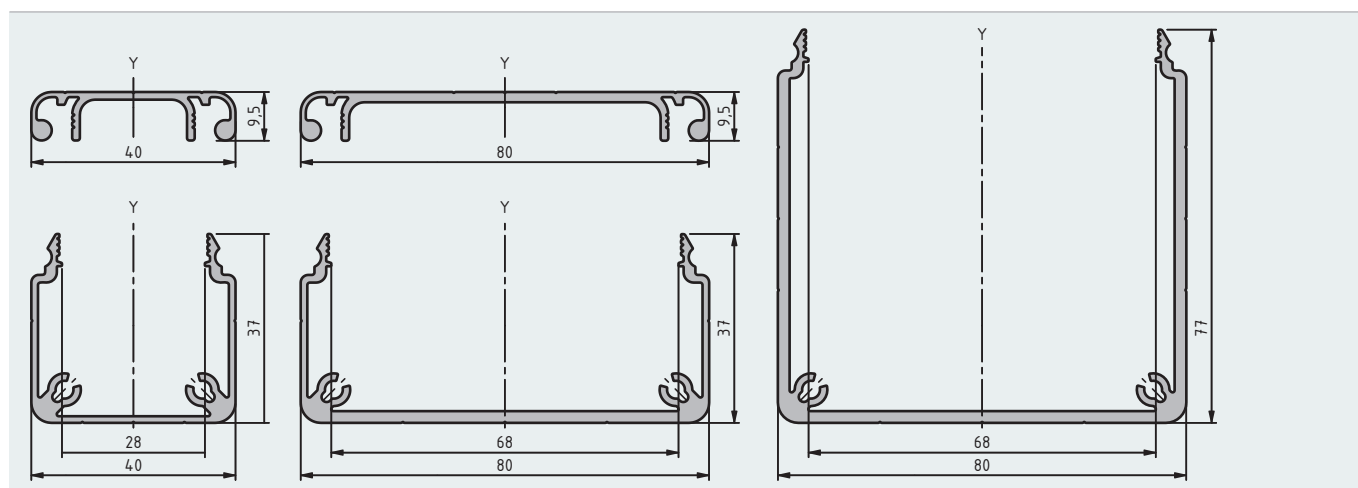
Screw in screws from the top side of the cover in order to keep the cover profile in place and to create an electric connection between the cover and the duct.

Screw strips at the bottom of the duct allow you to attach cable ties or other elements.

Material: Anodised aluminium

Mounting instruction: ESD-ready only if using notched slot nuts.

Note: Screw to be provided; recommended screw: Self-tapping screw St 4.2 × 9.5 (DIN7981) - provide a 3.5 diameter hole in the cover



DESIGNATION	PACKAGE	ARTICLE NUMBER
Cable duct 40 × 40	36 metres (12 × 3000 mm)	201404000
Cable duct 40 × 40 (cut to length)	max. 3000 mm	201404999
Cable duct 80 × 40	24 metres (8 × 3000 mm)	201408000
Cable duct 80 × 40 (cut to length)	max. 3000mm	201408999
Cable duct 80 × 80	24 metres (8 × 3000 mm)	201808000
Cable duct 80 × 80 (cut to length)	max. 3000 mm	201808999
Duct cover, 40 mm	36 metres (12 × 3000 mm)	201400000
Duct cover, 40 mm (cut to length)	max. 3000 mm	201400999
Duct cover, 80 mm	24 metres (8 × 3000 mm)	201800000
Duct cover, 80 mm (cut to length)	max. 3000 mm	201800999

Cable duct cap

Covers the face end of cable ducts.

Mounts easily; screwing on the caps ensures a tight fit.

Material: black plastic (PA); fibreglass-reinforced

Note: Screws to be provided; recommended screw: Self-tapping screw St4.2 × 16 (DIN7981)



DESIGNATION	ARTICLE NUMBER
Cap 40 × 40	201404010
Cap 40 × 80	201408010
Cap 40 × 120	201401200
Cap 40 × 160	201401600
Cap 80 × 80	201808010
Cap 80 × 120	201801200
Cap 80 × 160	201801600
Cap 120 × 120	201120120
Cap 120 × 160	201120160

Feed-through

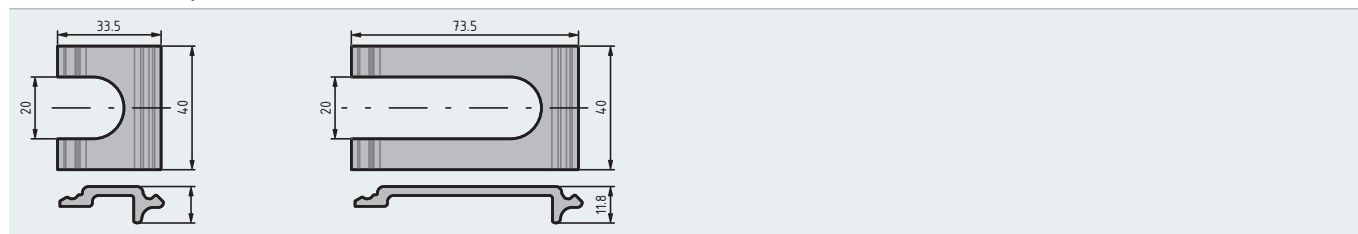
Reliably covers cutting edges.

Easy feeding in and out of cables.

Designed as opening in the wall profile.

Material: Black plastic (PA)

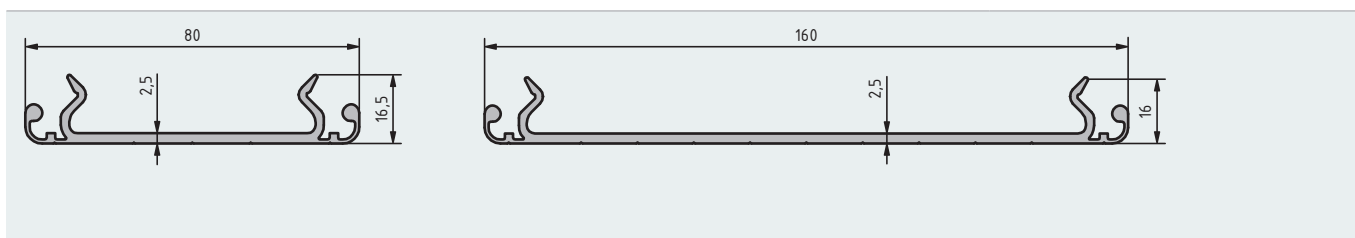
Note: use for aluminium cable ducts with separate sides/bottom and cover profiles only (i.e. not for complete cable ducts)



DESIGNATION	ARTICLE NUMBER
Wall feed-through 40	201404020
Wall feed-through 80	201808020

Carrier profile

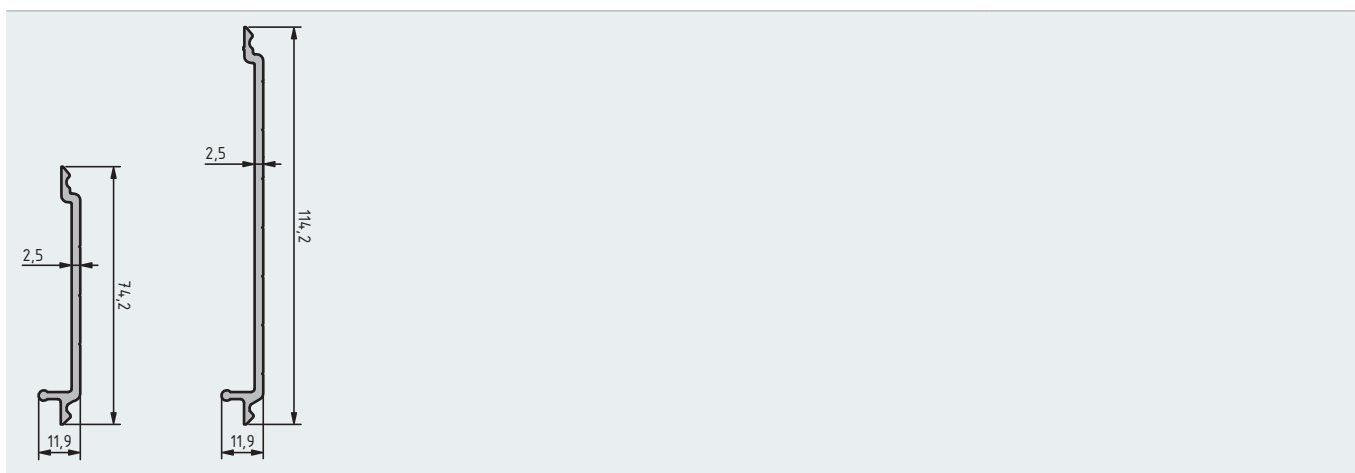
Makes up the bottom and cover of the modular duct system. Combine wall and carrier profiles to build modular ducts for laying cables and hoses. The duct profile opens and closes from various sides by means of a screwdriver. To build or assemble a duct, simply pivot the wall profiles into the carrier profiles.



DESIGNATION	LENGTH	PROFILE SURFACE	Mass kg/m	ARTICLE NUMBER
Carrier profile 80	3000 mm	2.73 cm ²	0.74	201280000
Carrier profile 80 (cut to length)	max. 3000 mm	2.73 cm ²	0.74	201280999
Carrier profile 160	3000 mm	4.73 cm ²	1.27	201260000
Carrier profile 160 (cut to length)	max. 3000 mm	4.73 cm ²	1.27	201260999

Wall profile

Makes up the side walls of the modular duct system. Combine wall and carrier profiles to build modular ducts. The duct profile opens and closes from various sides by means of a screwdriver. To build or assemble a duct, simply pivot the wall profiles into the carrier profiles.

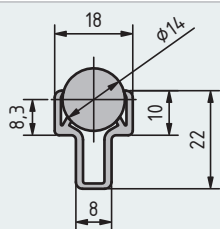
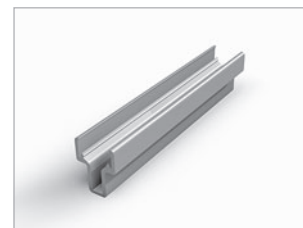


DESIGNATION	LENGTH	PROFILE SURFACE	Mass kg/m	ARTICLE NUMBER
Wall profile 80	3000 mm	0.76 cm ²	0.20	201080000
Wall profile 80 (cut to length)	max. 3000 mm	0.76 cm ²	0.20	201080999
Wall profile 120	3000 mm	3.04 cm ²	0.82	201120000
Wall profile 120 (cut to length)	max. 3000 mm	3.04 cm ²	0.82	201120999

D14 shaft clamping profile

The shaft clamping profile connects D14 shafts with the profile slot. Pushing in the shaft clamping profile into the profile slot press-fits the shaft. Screw in a cylinder pin (DIN 6325) at any point to fasten the shafts.

Material: Anodised aluminium

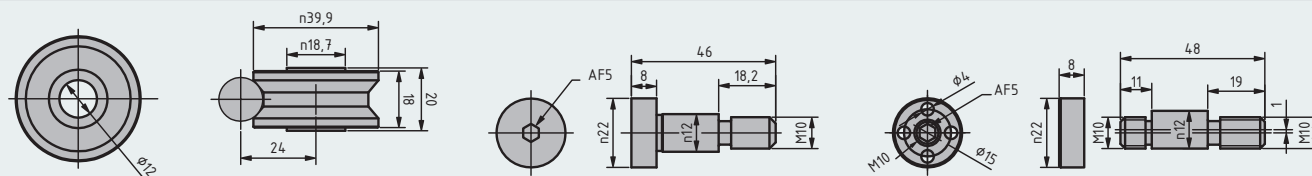


DESIGNATION	SLOT	LENGTH	ARTICLE NUMBER
D14 shaft clamping profile	8	PE 10 × 6000 mm	282800200
D14 shaft clamping profile (cut to length)	8	... / max. 6000 mm	282899200

D14 runner

Maintenance-free runner for use with D14 bearing units 8. Two rows of ball bearings with two maintenance-free cover discs.

Material: Runner: Steel 100 CR6, hardened, dressed
Bolt: burnished black

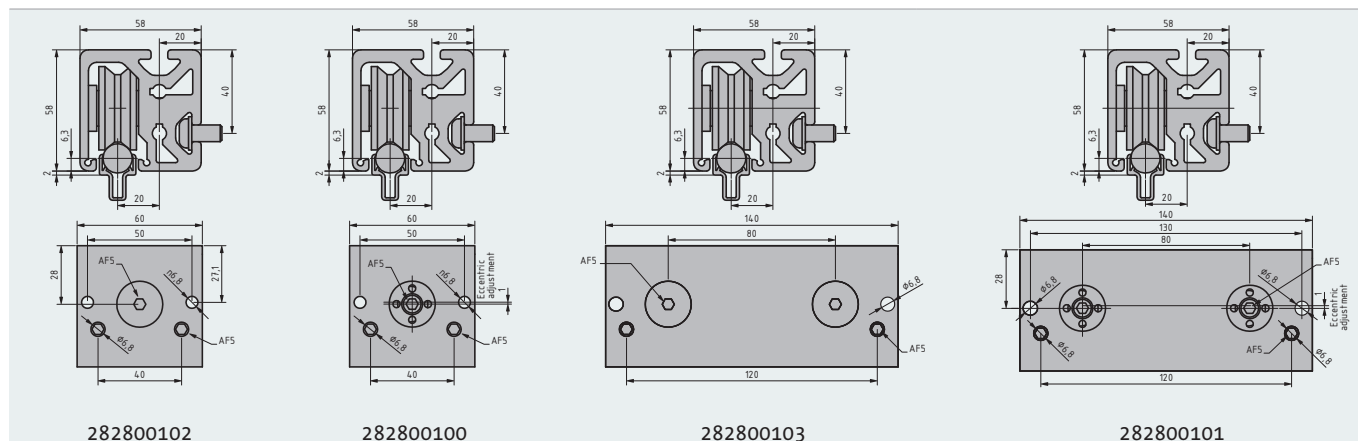
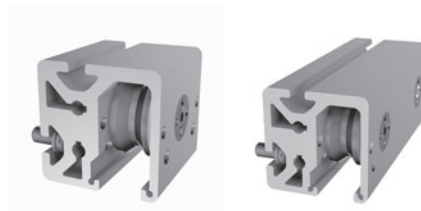


DESIGNATION	N _{MAX}	C	C ₀	ARTICLE NUMBER
D14 runner	500 rpm	7800 N	4400 N	282800150
D14 z bolt 8				282800151
D14 e bolt 8				282800152

D14 bearing units

Bearing units are used to build linear slides. They are always used in eccentric/centric pairs. Eccentric bearing units can afterwards be set to be free of play. In order to prevent premature wear, equip every bearing unit with a wiping and lubrication system. All components are sold separately to let you design your own bearing units.

Material: Anodised aluminium, natural colour



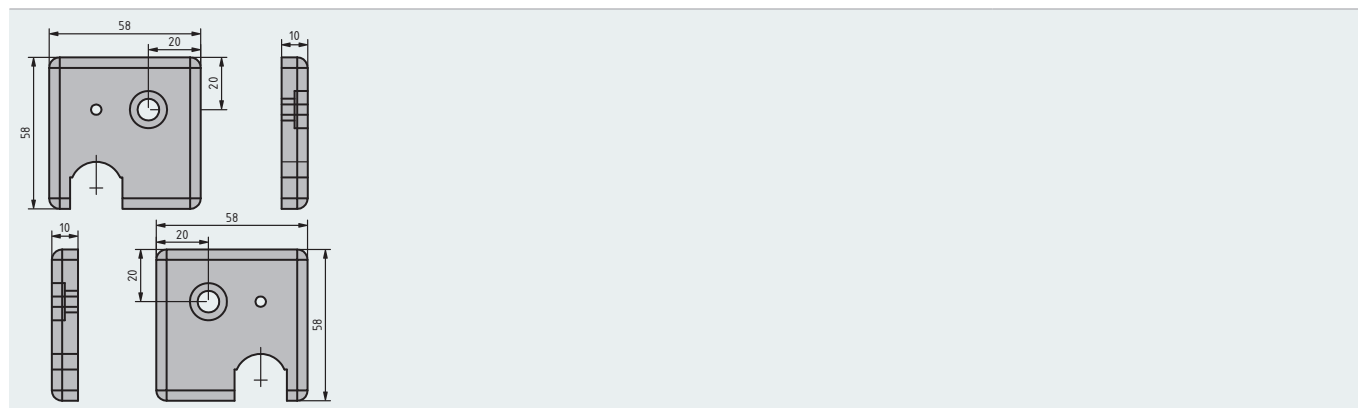
DESIGNATION	SLOT	M_{BOLT}	C	C_0	ARTICLE NUMBER
Bearing unit D14 Z (centric)	8	20 Nm	7800 N	4400 N	282800102
Bearing unit D14 E (eccentric)	8	20 Nm	7800 N	4400 N	282800100
Double bearing unit D14 Z (centric)	8	20 Nm	15600 N	8800 N	282800103
Double bearing unit D14 E (eccentric)	8	20 Nm	15600 N	8800 N	282800101

D14 wiping and lubrication system

Mount wiping and lubrication systems on guides to protect shafts and runners.

Package includes: D14 wiping and lubrication system 8, left & right,
2 M8 × 10 fillister head screws (ISO7380)

Material: black PA-GF

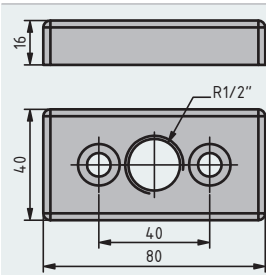
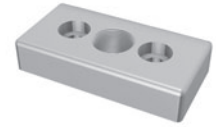


DESIGNATION	SLOT	ARTICLE NUMBER
D14 wiping and lubrication system	8	282800110

Pneumatic terminal board

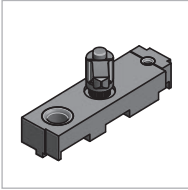
Use to connect media supply lines and/or compressed air consumers to profile 8 80x40. Mounts at the profile's face end.

On-site mount: M8 x 20 fillister head screws (ISO 7380) in the core hole at the face end

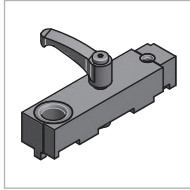


DESIGNATION	SLOT	ARTICLE NUMBER
Pneumatic terminal board 80 x 40 R1/2"	8	282538100
Pneumatic gasket 80 x 40, PE-LD, transparent, adhesive	8	282538101 new
Pneumatic gasket 80 x 80, PE-LD, transparent, adhesive	8	282538102 new

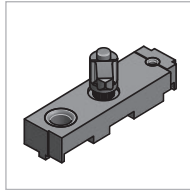
TOOLS



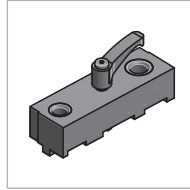
Page 12|2
Drilling jig – slot 5



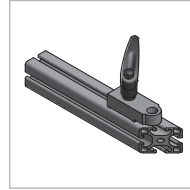
Page 12|2
Drilling jig – slot 6



Page 12|2
Drilling jig – slot 8



Page 12|3
Drilling jig – slot 8,
D14.2



Page 12|3
Drilling jig for
mitre connectors



Page 12|4
Cylindrical shank



Page 12|4
Screwdriver bit



Page 12|4
Set of safety Allen
keys



Page 12|4
General-purpose
shears



Page 12|5
Screwdriver



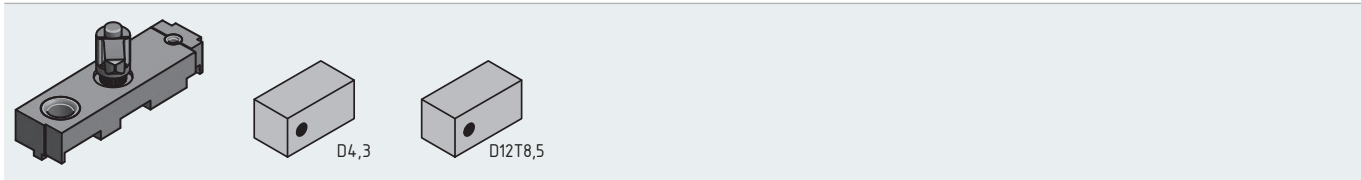
Page 12|5
T handle
screwdriver

Drilling jig – slot 5 mm

Use to drill standard holes for the connector range. Locating surfaces and edges let you place the holes in the correct place. Clamping lever for fastening.

Mounting material included.

Use for the following connectors: Screw connector (D4.3)
Universal connector (D12T8.5)



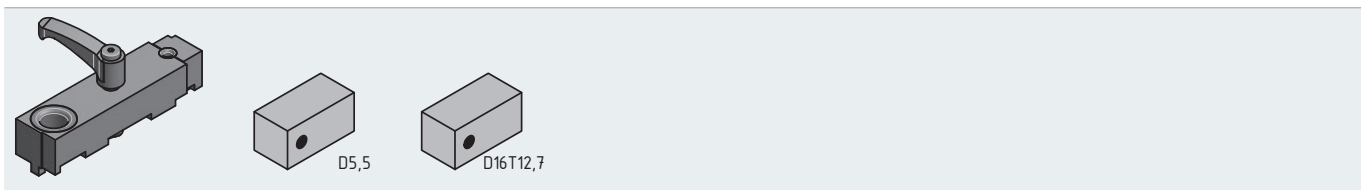
DESIGNATION	ARTICLE NUMBER
Drilling jig slot 5 D4.3 / D12	252528570

Drilling jig – slot 6 mm

Use to drill standard holes for the connector range. Locating surfaces and edges let you place the holes in the correct place. Clamping lever for fastening.

Mounting material included.

Use for the following connectors: Screw connector (D5.5)
Universal connector (D16T12.7)



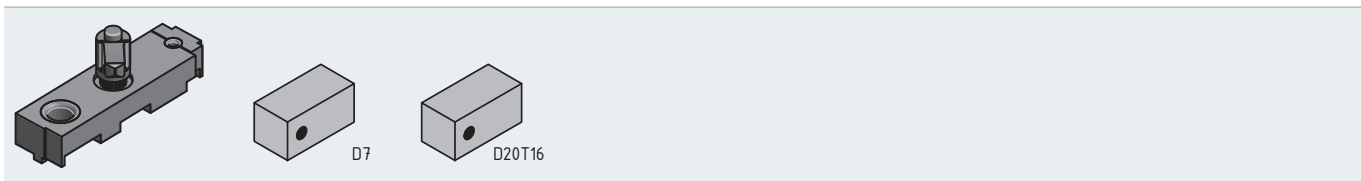
DESIGNATION	ARTICLE NUMBER
Drilling jig slot 6 D5.5 / D16	262528571

Drilling jig – slot 8 mm

Use to drill standard holes for the connector range. Locating surfaces and edges let you place the holes in the correct place. Clamping lever for fastening.

Mounting material included.

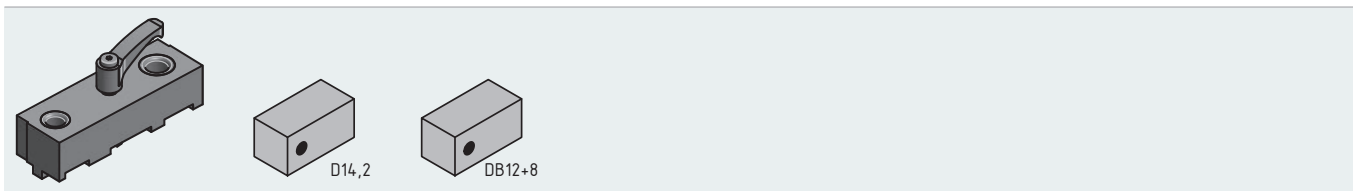
Use for the following connectors: Screw connector (D7)
Universal connector (D20T16)



DESIGNATION	ARTICLE NUMBER
Drilling jig slot 8 D20 / D7	282528572

Drilling jig – slot 8 mm

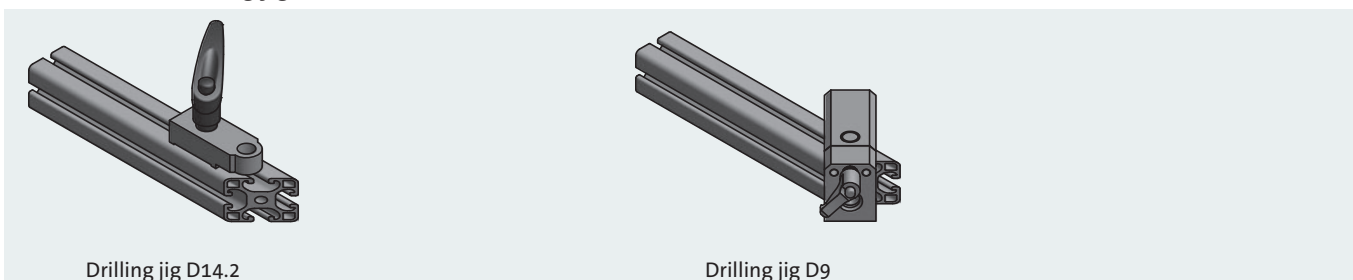
Use to drill standard holes for the connector range.
 Locating surfaces and edges let you place the holes in the correct place.
 Clamping lever for fastening.
 Mounting material included.
 Use for the following connectors: Bolt connector (D14.2)
 Central clamp (DB12 + 8)



DESIGNATION	ARTICLE NUMBER
Drilling jig slot 8 D14.2 / D12	282528573

Drilling jig for mitre connectors

Use for the following connectors: Mitre connector set
 Set includes: Drilling jig slot 8 / D14.2
 Drilling jig slot 8 / D9



DESIGNATION	ARTICLE NUMBER
Drilling jig for mitre connectors, set slot 8 D14.2 / D9	282528574

Drilling unit slot 8

Use to drill standard holes for the connector range.
 Locating surfaces and edges let you place the holes in the correct place. Clamping lever for fastening.
 Mounting material included.
 Use for the following connectors: Screw connector (D7)
 Universal connector (D20T16)
 Set includes: 1× drilling template slot 8, Art. No.: 282528572
 1× cylindrical shank D20, Art. No.: 202528602
 1× drill bit D7

DESIGNATION	ARTICLE NUMBER
Drilling unit slot 8	202528604

Cylindrical shank

For cylindrical countersinks.



DESIGNATION	USE FOR THE FOLLOWING TYPES OF MACHINING:	ARTICLE NUMBER
Cylindrical shank D12	D12T8.5	202528600
Cylindrical shank D15	D15/D9	202528605
Cylindrical shank D16	D16T12.7	202528601
Cylindrical shank D20	D20T16	202528602
Cylindrical shank MK2 D20	D20T16	202528603
Cylindrical shank for mitre connectors D14.2	D14.2	202528606 new

Screwdriver bit

Use to check the tightening torque of highly stressed screw connections.

Hexagon socket screwdriver, width across flats: 5

1/4" square drive for use with a torque wrench.

Material: Chrome vanadium steel, matt chrome plating



DESIGNATION	AF	TOTAL LENGTH	ARTICLE NUMBER
Screwdriver bit	5	100 mm	202528700

Safety Allen wrench bit AF1.5-6

For all safety connection.

Offset shaft with optimised leg lengths.

Extremely hard and tough.

Nickel-plated and powder-coated surface with obvious "Rainbow" colour code to make it easier to find.

Material: Nickel-plated and powder-coated surface



DESIGNATION	ARTICLE NUMBER
Safety Allen wrench bit AF1.5-6	1 set (1.5;2;2.5;3;4;5;6) 202528800

General-purpose shears

Steel sheet body, cutting edge of special steel (PTFE non-stick coating),

light metal cutter rest (anvil). Easy oblique shearing.

Plastic-coated and slip-protected handles

High-gloss chrome plated shears.

Usage: To cut rubber, leather, plastic and wooden profiles



DESIGNATION	LENGTH	ARTICLE NUMBER
General-purpose shears	200 mm	202528900

Screwdriver

Straight hex socket shaft with ball head.

1.5 mm Kraftform handle of impact-proof plastic with integrated soft zones. Blade of high-quality tool steel.

Surface: matt chrome plated, black tip



DESIGNATION	AF (mm)	BLADE LENGTH (mm)	TOTAL LENGTH (mm)	ARTICLE NUMBER
Screwdriver	1.5	60	89	202528850
Screwdriver	2	80	169	202528851
Screwdriver	3	100	181	202528852
Screwdriver	4	100	198	202528853
Screwdriver	5	100	205	202528854
Screwdriver	6	125	230	202528855
Screwdriver	8	150	262	202528856
Screwdriver	10	150	262	202528857

T handle screwdriver

Comfortable plastic multi-component T handle.

Blade of chrome plated chrome vanadium steel.

T handle with lateral friction.

Creates the maximum torque for tightening the specified screws.



DESIGNATION	AF (mm)	ARTICLE NUMBER
T handle screwdriver	3	202528870
T handle screwdriver	4	202528871
T handle screwdriver	5	202528872
T handle screwdriver	6	202528873
T handle screwdriver	8	202528874
T handle screwdriver	10	202528875

WORKPLACE ACCESSORIES



Page 13|2
Spring balancer



Page 13|3
Lifting unit



Page 13|6
System lamp
SL48LED



Page 13|7
System lamp
SL30LED



Page 13|9
System lamp



Page 13|11
Multiple sockets/
power strip units



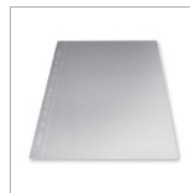
Page 13|12
Cables



Page 13|13
GST plug



Page 13|13
Info board



Page 13|14
Sheet protectors



Page 13|14
Display pocket



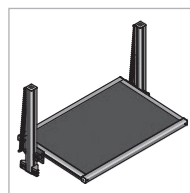
Page 13|14
4-axle display
support



Page 13|15
5-axle display
support



Page 13|15
Display support



Page 13|16
Footrest



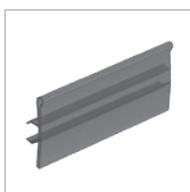
Page 13|17
Sliding keyboard
shelf



Page 13|17
PC mount



Page 13|18
Cup holder



Page 13|18
Label clips



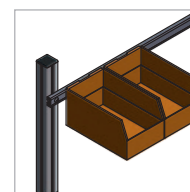
Page 13|18
Bottle holder



Page 13|19
Chest of drawers



Page 13|19
Desk chair, clean
room basic



Page 13|20
Clip-in profile



Page 13|20
Grab container



Page 13|21
Grab tray



Page 13|23
ESD table mat



Page 13|24
Earthing box



Page 13|24
Earthing plug w/o
cable



Page 13|24
Earthing plug w/
cable



Page 13|24
Helix cable



Page 13|25
Wrist strap



Page 13|25
Earthing contact



Page 13|25
Earthing connector

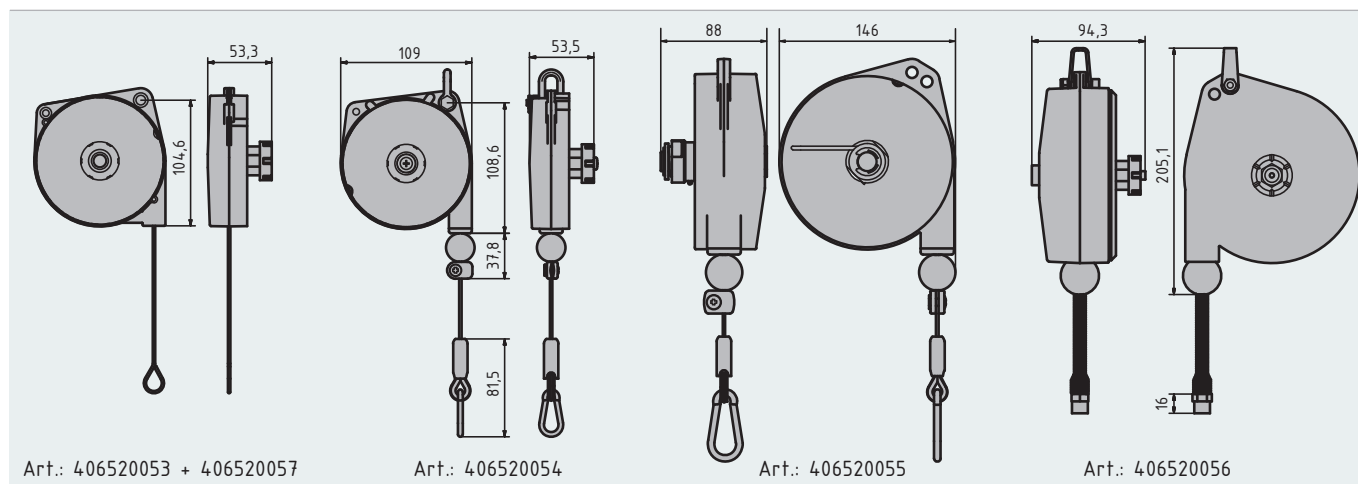
Spring balancer

- Provides tools in an ergonomic manner to reduce unilateral employee strain.
- Adjustable hoisting limit
- Mounts at the place of work using a suspension bracket plus carriage or glide



Hose pull spring balancer

- Provides tools in an ergonomic manner to reduce unilateral employee strain.
- Hose holds the tool and reduces the footprint
- Adjustable hoisting limit
- Mounts at the place of work using a suspension bracket plus carriage or glide
- Compressed air is supplied by a ledge; compressed air port for air supply and tool connection: G1/4"

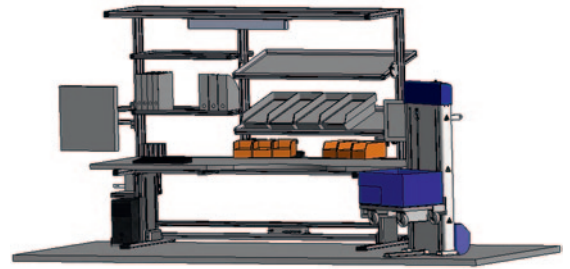


DESIGNATION	CARRYING CAPACITY (kg)	TARE WEIGHT (kg)	ROPE EXTENSION (mm)	HOUSING	ARTICLE NUMBER
Spring balancer	0.4....1.0	0.6	1600	Plastic	406520053
Spring balancer	0.4....1.0	0.6	1600	Aluminium	406520057
Spring balancer	1.0....2.0	0.6	1600	Aluminium	406520054
Spring balancer	2.0....4.0	2.0	2000	Aluminium	406520055
Hose pull spring balancer	1.2....2.5	14	1350	Aluminium	406520056

Lifting units for height-adjustable workplaces

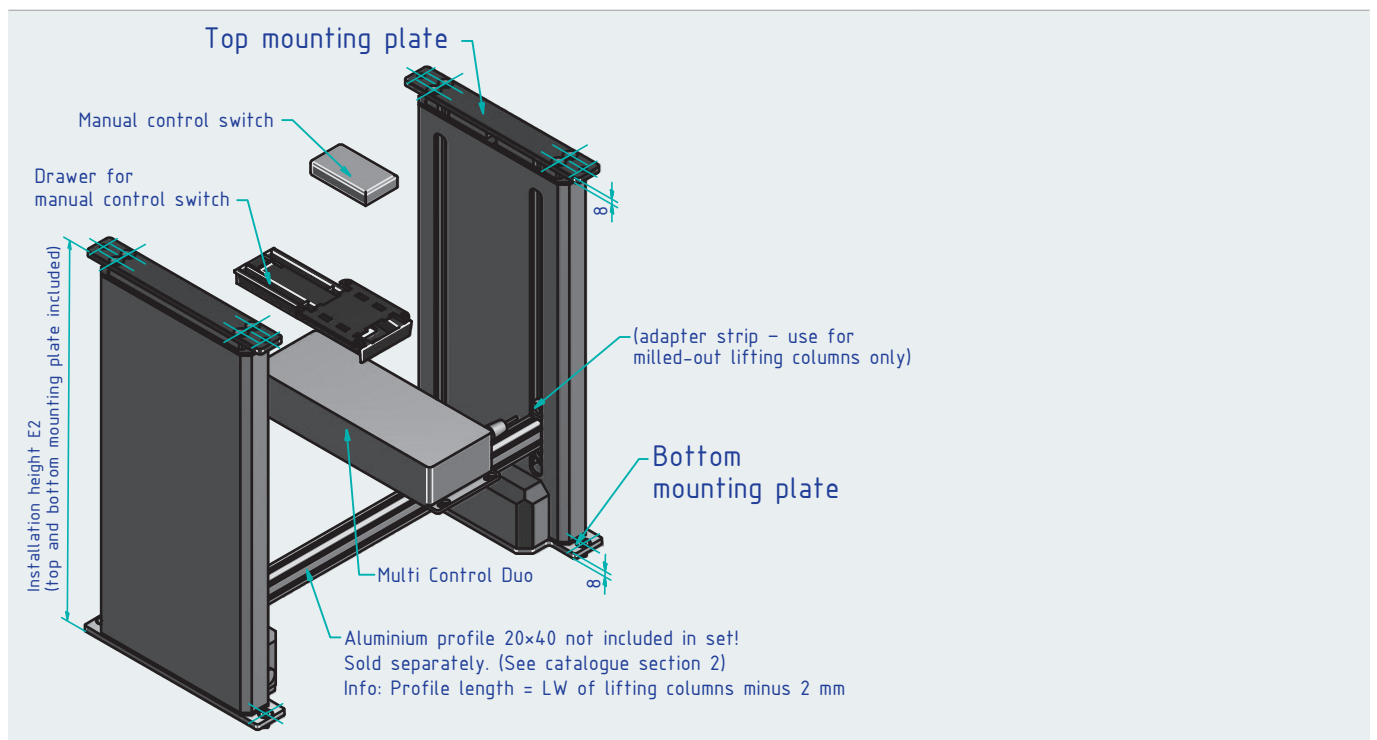
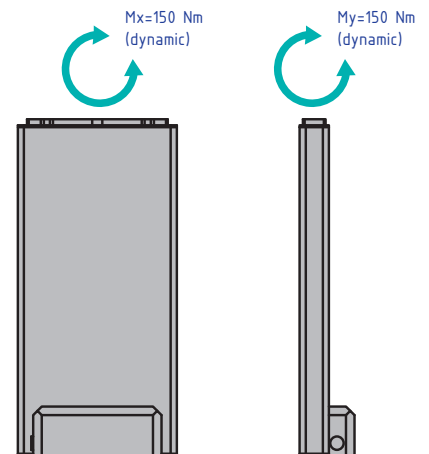
Lifting units allow employees to adjust their production workplaces to the preferred height in order to ensure a perfect sitting or standing posture.

Multi-shift operations particularly benefit from this feature in that workplace heights adapt to changing persons' need. Our lifting units also handle high working loads.



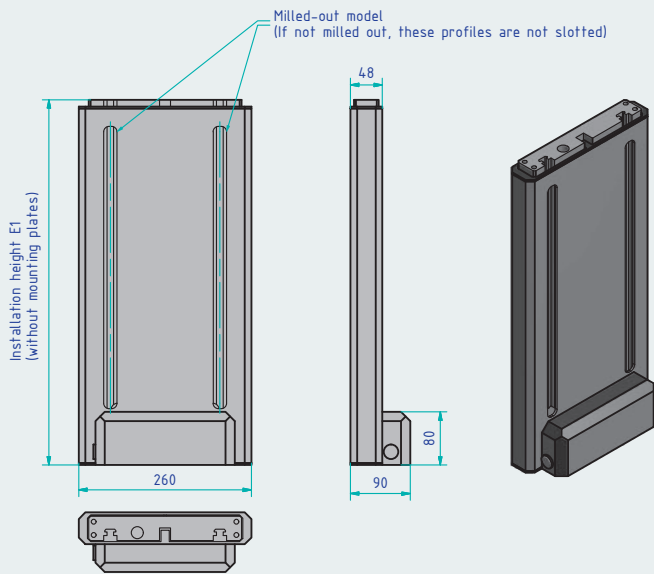
General specifications:

- High system load of up to 6000 N
- Speed $v = 8 \text{ mm/s}$
- IP30 protection
- For 2 lifting columns in synchronous mode
- Ambient temperature: $+5 \text{ }^\circ\text{C}$ to $+40 \text{ }^\circ\text{C}$
- Power consumption: 120W
- Offset in synchronous mode: 0–2 mm
- On-time: 10% under nominal load (max. 2 minutes of operation, 18 minutes rest period)
- Voltage: 24 VDC
- Hardware for mounting the components on the workbench to be provided on-site.

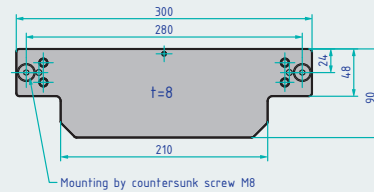


Each lifting unit set includes:

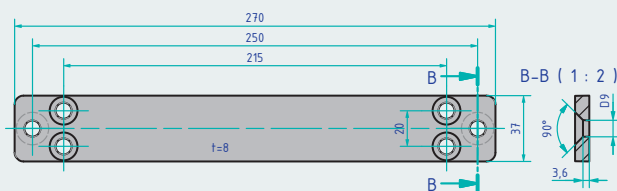
- 2x lifting module ①
- 2x bottom mounting plate ②
Easy mounting of lifting columns on the workbench.
- 2x top mounting plate ③
Easy mounting of lifting columns on the workbench.
(2x adapter strip ④ – use for milled-out lifting columns only)
- 1x Multi Control duo ⑤
- 1x simple manual control switch with 2 function controls: Up/Down (not shown)
- 1x drawer for manual control switch ⑥



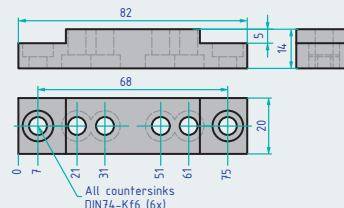
① Lifting unit
Quantity: 2 pcs



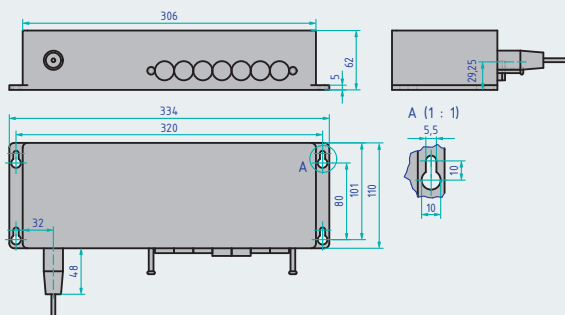
② Bottom mounting plate
Quantity: 2 pcs



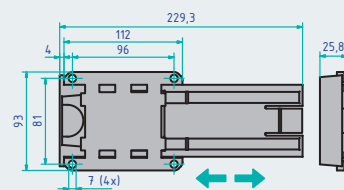
③ Top mounting plate
Quantity: 2 pcs



④ Adapter strip
Quantity: 2 pcs
Material: AlMgSi 0.5
Info: Profile length = LW of lifting columns minus 2 mm



⑤ Multi Control duo
Quantity: 1 pcs



⑥ Drawer for manual control switch
Quantity: 1 pcs

DESIGNATION	LIFT (mm)	SYSTEM LOAD (COMPRESSIVE)	SYSTEM LOAD (TENSILE)	INSTALLATION HEIGHT E1 (mm)	INSTALLATION HEIGHT E2 (mm)	ARTICLE NUMBER
Lifting unit 355, not milled out	355	6000N	2000N	550	566	406530102
Lifting unit 355, milled out	355	6000N	2000N	550	566	406530100
Lifting unit 400, not milled out	400	6000N	2000N	595	611	406530103
Lifting unit 400, milled out	400	6000N	2000N	595	611	406530101

Note: Ask for other lift lengths or model variants

Accessories (optional)

DESIGNATION	ARTICLE NUMBER
Manual control switch with 6 function controls and LED display, 1 m helix cable (memory function)	406530104

Note: A manual Up/Down control switch is included in the standard set of lifting columns.

LED system lamp

For system workplaces, machines and facilities

Our lamp is compatible with standard system workplace lamps.

Use the Wieland GST18 plug to connect the lamp to 230 V, the power supply unit is integrated in the lamp. Lamp SL24/SL48 LED outputs 100 lumen per watt to provide particularly efficient, homogeneous and flicker-free illumination. Both system lamp packages include the On/Off switch.



Your benefit: Save 40% of electricity while obtaining at least 30% more light compared to conventional tube lamps.

Non-glare feature: Microprisms

Life: >60,000 operating hours

Ingress protection: IP50

Light output: across the entire width of the lamp

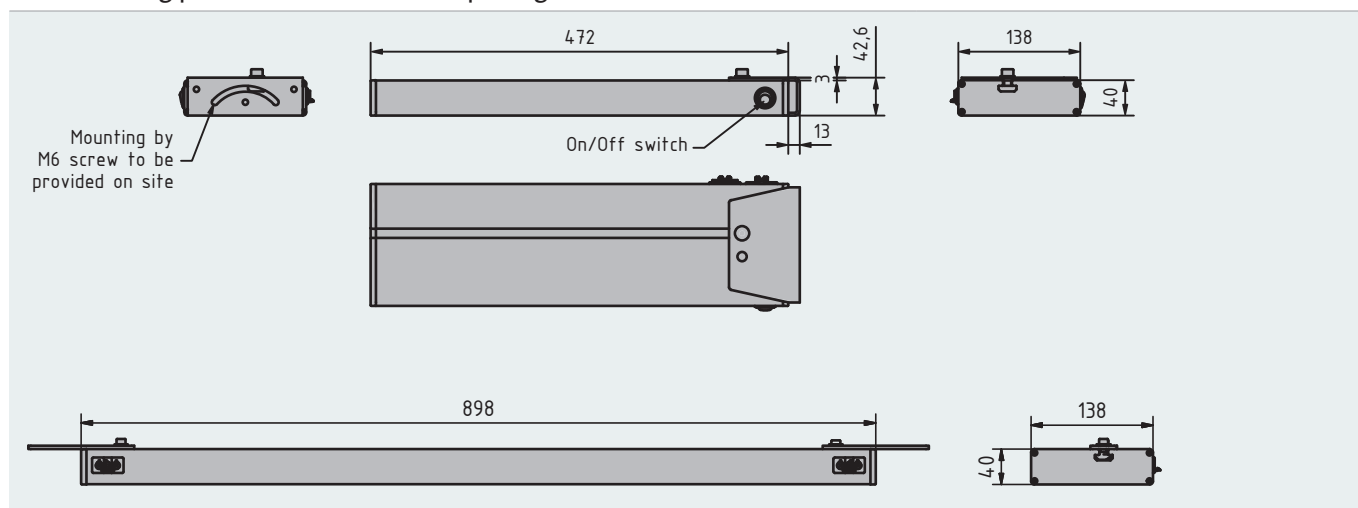
Mounting: The material (screws and hammer head nuts) for mounting the lamp on the bars is to be provided on-site. The mounting panel is contained in the package.

Connector: Wieland GST18

Temperature: -10 °C...+40 °C

Safety class: I (protective earthing)

Daylight white: 5,500 K

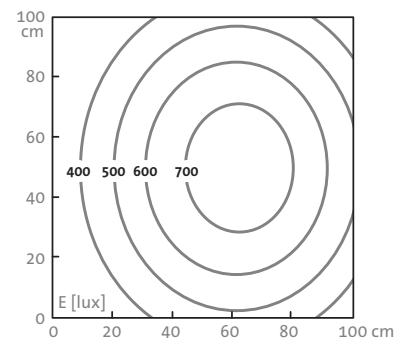


DESIGNATION	LENGTH	OUTPUT	100 CM DISTANCE	ARTICLE NUMBER
Lamp SL24LED	472 mm	24 W	800 lx	406514650
Lamp SL28LED	898 mm	28 W	1000 lx	406514652
Lamp SL48LED	898 mm	48 W	1300 lx	406514651

Lamp SL24LED

Art. no.: 406 514650

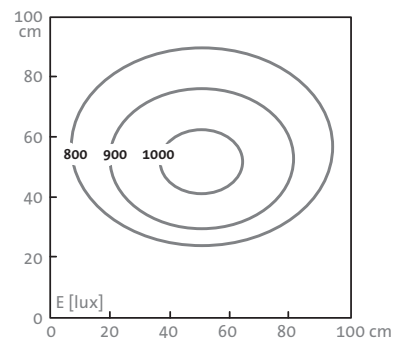
H = 1000 mm



Lamp SL28LED

Art. no.: 406514652

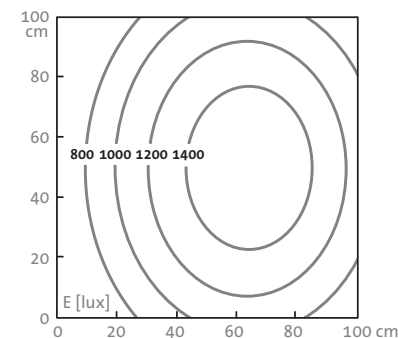
H = 1000 mm



Lamp SL48LED

Art. no.: 406 514651

H = 1000 mm



LED system lamp

For system workplaces, machines and facilities

Use Wieland plug GST18i3 (1xIN/1xOUT) to connect the lamp to 230 V, the power supply unit is integrated in the lamp.

Highly energy efficient with up to 25% more light at about half the energy consumption

(compared to fluorescent lamps).

Smooth, easy-to-clean and closed design.

Ready for connection to mains voltage, no disturbing separate power supply unit.

Product description

- compact and sturdy lamp housing of self-supporting aluminium profile, anodised in natural colour,
- microprism pane plus diffuser foil (reversible/bifunctional) provide excellent glare protection,
- Profile caps of black (optional: silver-grey) steel sheet,
- absolutely no flickering due to DC-fed LEDs; extremely low-loss on-board electronic LED converter,
- supplied with latest-generation LED light engines, neutral white (840),
- high light output due to high-gloss anodised reflectors.

Mounting: The material (screws and hammer head nuts) for mounting the lamp on the bars is to be provided on-site. The mounting panel is contained in the package.

Input voltage: 220-240 V, 0/50... 60 Hz

Life: >50,000 operating hours

Temperature: -10 °C...+40 °C

Ingress protection: IP20

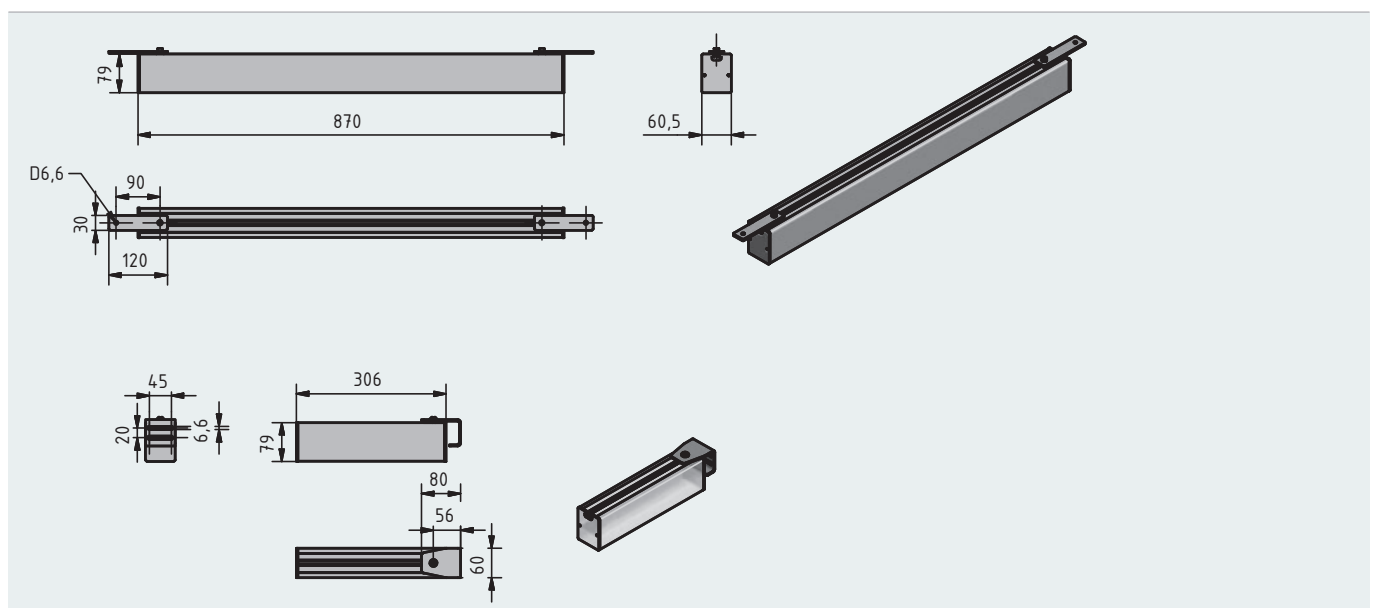
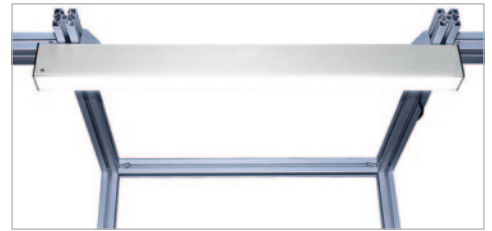
Safety class: I (protective earthing)

Installation: into top of T slot

Light output: across the entire width of the lamp

Luminous colours: neutral white (4000 K)

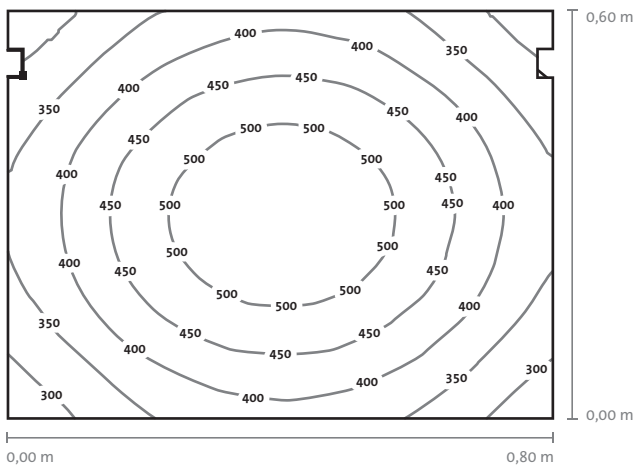
Colour rendering index (CRI): 1B (Ra 80+)



DESIGNATION	LENGTH	OUTPUT	100 cm DISTANCE	ARTICLE NUMBER
Lamp SL10LED	300 mm	10 W	418 lx	406514671
Lamp SL30LED	870 mm	30 W	1200 lx	406514670

Lamp options include special designs (special length, On/Off switch, dimmer ...).
Please send your enquiry.

Lamp SL10LED
Art. no.: 406 514671
H = 1000 mm



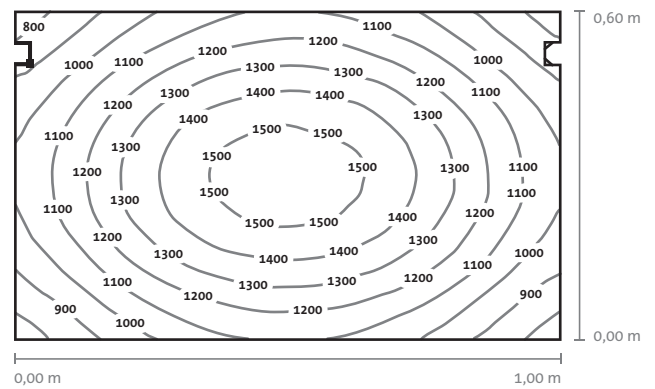
Surface position in cavity:



Lux values
Scale 1:6

Marked point:
(2.236 m, 2.316 m, 0.750 m)

Lamp SL30LED
Art. no.: 406 514670
H = 1000 mm



Surface position in cavity:



Lux values
Scale 1:8

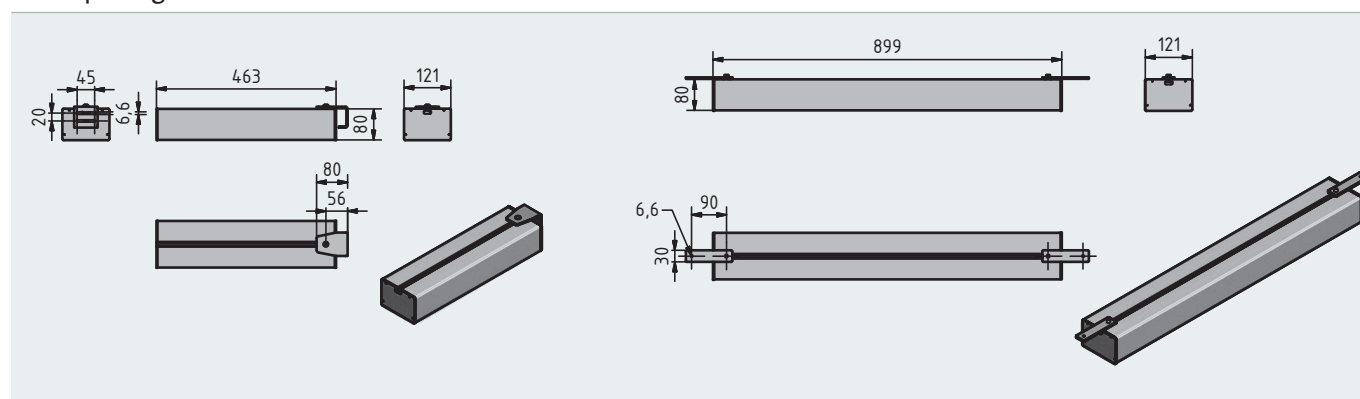
Marked point:
(2.145 m, 2.316 m, 0.750 m)

System lamp

- Lamp for cross beam installation, self-supporting aluminium profile, anodised in natural colour
- WIELAND GST 18i3 connector system (1× In, 3× Out) for main connection
- Metallised plastic parabolic honeycomb grid prevents all glare, 13 × 13 mm, can be removed without tools
- Black varnished steel sheet profile cap
- An electronic ballast ensures absolutely non-flickering high-frequency operation at approx. 40 kHz, non-jittering instant start and no stroboscopic effects
- High light output due to high-gloss anodised reflector
- OSRAM lamp ballast and illuminant



Mounting: The material (screws and hammer head nuts) for mounting the lamp on the bars is to be provided on-site. The mounting panel is contained in the package.



Technical data:

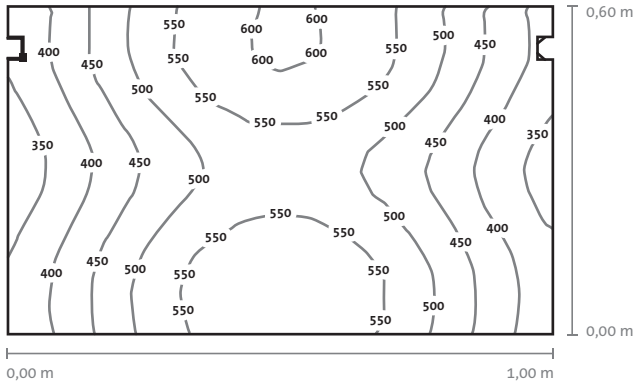
	LAMP SL36 w/ BALLAST	LAMP SL78 w/ BALLAST
Mounting	Bar mounting material to be provided on-site	
Ingress protection	IP20	IP20
Safety class	I	I
Input voltage	220-240 V 0/50...60 Hz	220-240 V 0/50...60 Hz
Power consumption/system output	approx. 35 W (@ 230 V)	approx. 82 W (@ 230 V)
Energy efficiency class of lamp ballast	EEL = A2	EEL = A2
Energy Label (illuminant)	A(40kWh/1000h)	A+ (2 x 44 kWh/1000h)
Total luminous flux	2900 lm	6200 lm
Lamp type (LBS)	1 × TC L36/840 neutral white	2 × T5 H039/840 neutral white
Socket	2G11	G5
Approx. lamp life	20,000 h	24,000 h

DESIGNATION	LENGTH (mm)	100 CM DISTANCE	ARTICLE NUMBER
Lamp SL36 w/ ballast	456	484 lx	406514661
Lamp SL78 w/ ballast	899	1078 lx	406514660

Lamp options include special designs (special length, On/Off switch, dimmer ...).

Please send your enquiry.

Lamp SL36EVG
 Art. no.: 406 514661
 H = 1000 mm



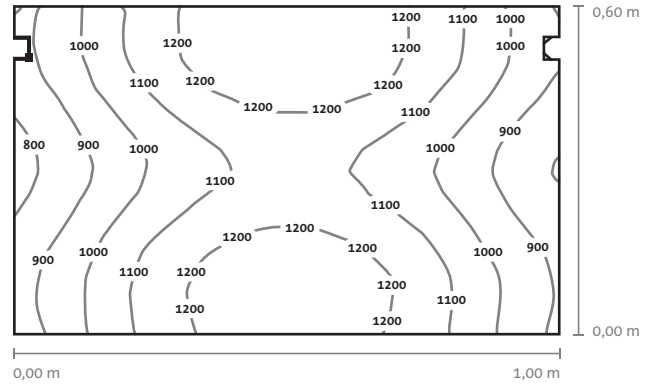
Surface position in cavity:

Marked point:
 (2.145 m, 2.316 m, 0.750 m)



Lux values
 Scale 1:8

Lamp SL78EVG
 Art. no.: 406 514660
 H = 1000 mm



Surface position in cavity:

Marked point:
 (2.145 m, 2.316 m, 0.750 m)



Lux values
 Scale 1:8

Multiple socket, power strip unit

Multiple socket with two or three grounding outlets.

Power strip unit with six grounding outlets; mounts on a bar extension

(workplace width = 990 mm).

Plug sockets turned by 45° to save space when plugging in angled connectors.

With female GST outlet and caps that loop the power through.

Use bracket set (→ see page 13|12) to fasten the multiple sockets and the power strip units to the aluminium profile.

Some models feature a switching input and/or output.

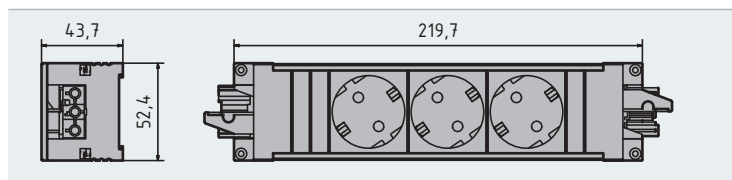
Suitable for use at ESD workplaces.

Ingress protection: IP20

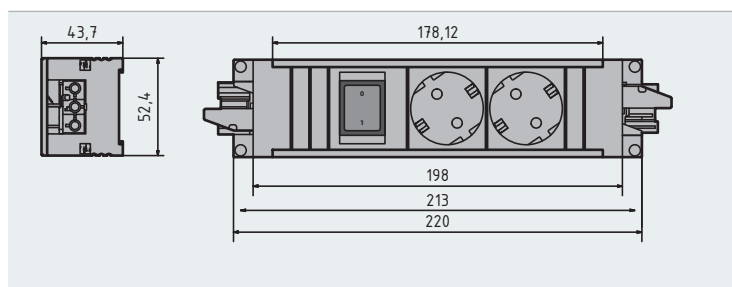
Material: Anodised aluminium, socket: black plastic

Required accessories: Mains or drop cable

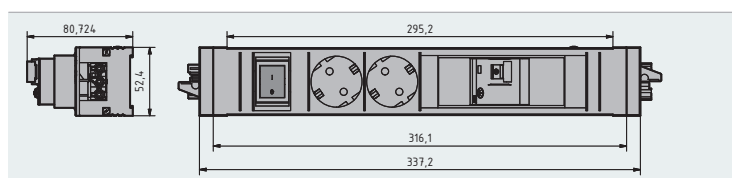
Bracket set included in package.



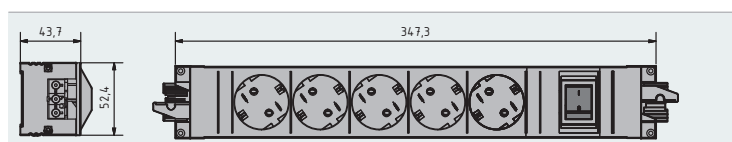
DESIGNATION	COUNTRY	I (A) U (V)	ARTICLE NUMBER
Multiple socket	D*	max. 16A/230V	206539842



DESIGNATION	COUNTRY	I (A) U (V)	ARTICLE NUMBER
Multiple socket w/ switching output	D*	max. 16A/230V	206539844
Multiple socket w/ switching socket and output	D*	max. 16A/230V	206539846
Multiple socket w/ switching socket and output	D	16A/230V	206539847

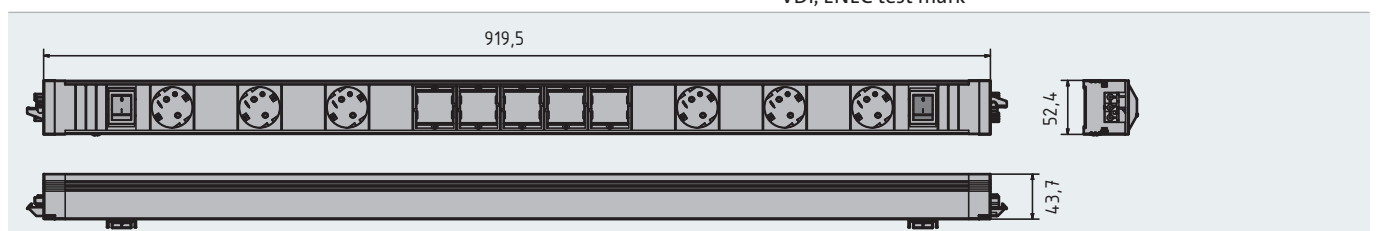


DESIGNATION	COUNTRY	I (A) U (V)	ARTICLE NUMBER
Multiple (double) socket with FI	D*	max. 16A/230V	206539841



DESIGNATION	COUNTRY	I (A) U (V)	ARTICLE NUMBER
Five-socket outlet with rocker switch			206539847

* VDI, ENEC test mark



Art. no.: 206539850

Info: The bracket sets below only allow you to fasten the 990 mm wide power strip unit to the front of the bar extension.

DESIGNATION	COUNTRY	I (A) U (V)	ARTICLE NUMBER
Power strip unit w/ switching sockets and output	D*	max. 16A/230V	206539850

* VDI, ENEC test mark

Bracket set

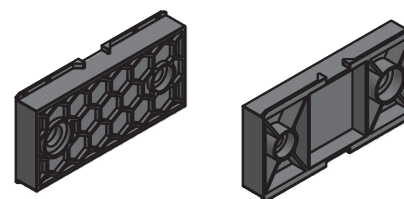
For mounting power strip units and multiple sockets

Holes for M6 and M8 cheese head screws.

Material: PA6 GF30 glow wire-proof up to 650 °C

Colour: light grey (RAL7035)

Accessories: Mounting kit included



DESIGNATION	SLOT	ARTICLE NUMBER
Bracket set LE02	8	206539800

Mains cable

For connecting system lamps, multiple sockets or power strip units.

Fully configured cable for easy and safe plug-and-play installation even by non-experts.

Open-ended mains cable: For your own installation.

Accessories: GST plug; GST socket

Colour: black

Connecting lead: 3 G, 1.5 mm²

DESIGNATION	COUNTRY	L (m)	ARTICLE NUMBER
Mains cable	D/F*	2	406517046
Mains cable	D/F*	5	406517045
Mains cable (not grounding)	Open-ended*	5	406517201

* VDI, ENEC test mark, socket - open end

Drop cable

Wiring between system lamps, multiple sockets or power strip units

Various lengths ready for use.

For easy and safe plug-and-play installation even by non-experts.

Colour: black

Connecting lead: 3 G, 1.5 mm²

DESIGNATION	COUNTRY	L (m)	ARTICLE NUMBER
Drop cable	EU*	4	406537598
Drop cable	EU*	3	406527207
Drop cable	EU*	2	406517047
Drop cable	EU*	1.5	406537123
Drop cable	EU*	1	406517049
Drop cable	EU*	0.5	406517051

* VDI, ENEC test mark

GST plug, GST socket

For making your own cables.

Colour: black

DESIGNATION	ARTICLE NUMBER
GST plug	406517043
GST socket	406517044
Connecting plug	406517055
T-plug	406532909
H-splitter	406553142

Info board

Provides information at the workplace.

Very stable.

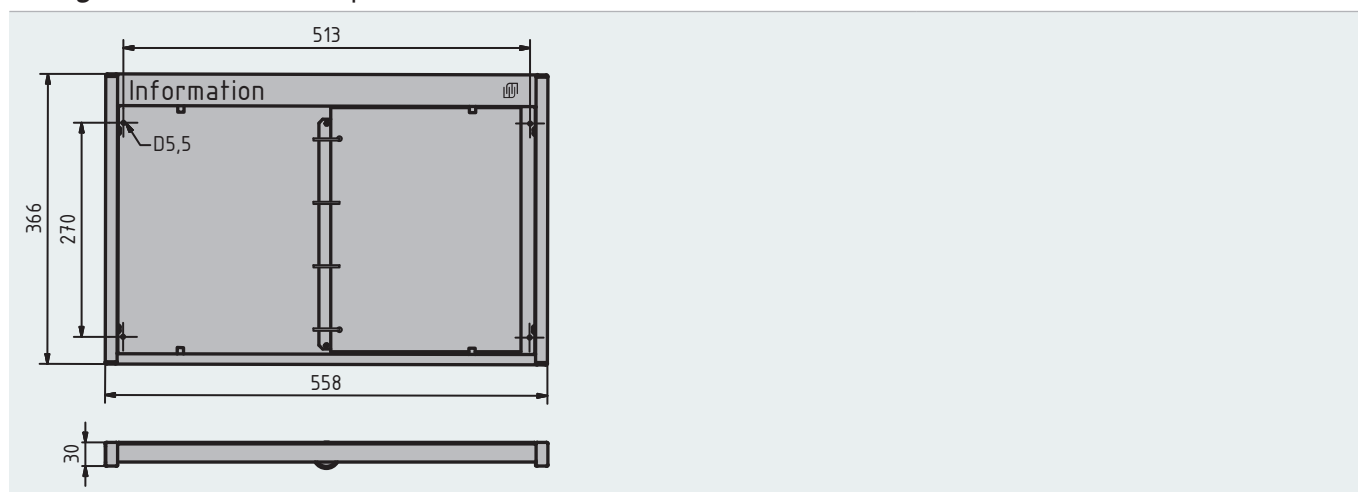
Info board, 2×A4 (EU): Double-side model with 4-fold filing mechanism; A4.

ESD model suitable for use at ESD workplaces.

Material: Frame profile: Anodised aluminium, natural colour

Rear wall and board: Dressed stainless steel (V2A)

Package includes 2 ESD sheet protectors



DESIGNATION	COUNTRY	ESD	ARTICLE NUMBER
Info board, 2×A4	EU		406502153

A4 sheet protectors for info boards

One open side with punched edge.
 Permanently discharging PVC document envelope.
 For info boards at the workplace or for filing in folders.
 Printed standard information: ESD label, recycling symbol.
 Typical surface resistance: $RS=10^9-10^{10}$ Ohm



DESIGNATION	ESD-READY	FORMAT	ARTICLE NUMBER
Sheet protector		A4	416537358
Sheet protector	—	A4	416539838

Display pocket

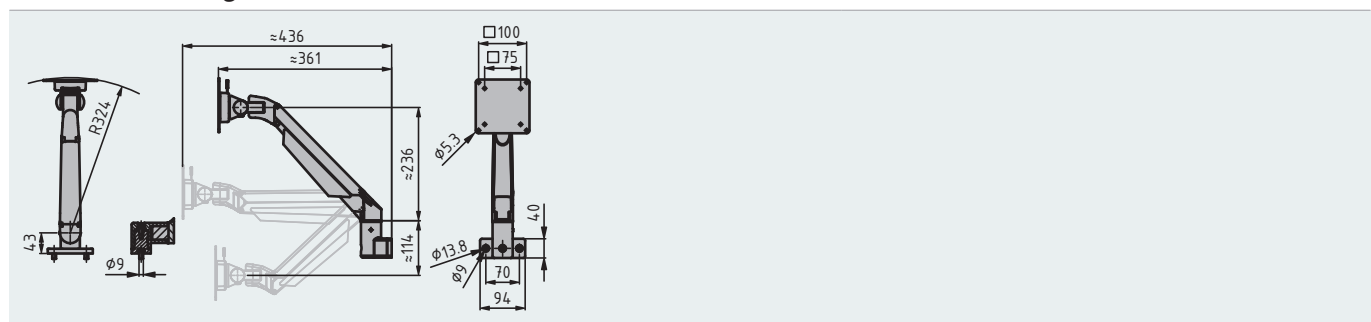
For providing separate A4 info sheets e.g. for work sequence tickets.
 Portrait or landscape installation.
 Glass shield dirt protection.
Colour: light grey (RAL 7035)
Required accessories: Screws



DESIGNATION	ARTICLE NUMBER
Display pocket	406410015
Protective film for display pocket	406410016

Height-adjustable 4-axle display support new

Ready-to-use display support with mounting panel and flange for attachment to vertical or horizontal profiles;
 turns by 360° (vertical)
 For display units with standard VESA port (VESA 75 and 100)
 Adjustable load: 2 - 10 kg
Material: Display support: die-cast aluminium, powder coated (aluminium)
 Mounting material: Galvanised steel



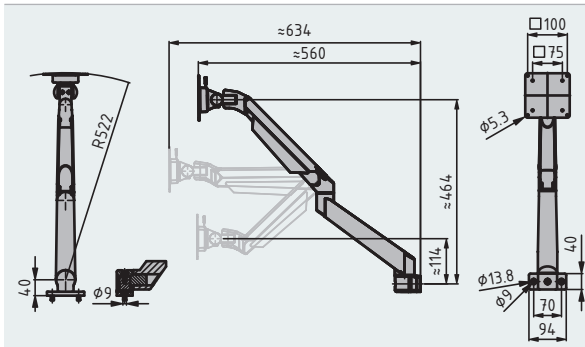
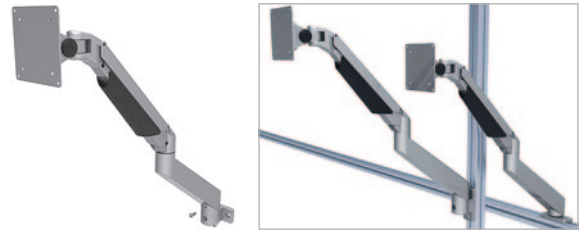
DESIGNATION	CARRYING CAPACITY (kg)	ARTICLE NUMBER
Height-adjustable 4-axle display support	10	406200125

Height-adjustable 5-axle display support

new

Ready-to-use display support with mounting panel and flange for attachment to vertical or horizontal profiles or on surfaces; turns by 360° (vertical);
For display units with standard VESA port (VESA 75 and 100)
Adjustable load: 2 - 10 kg

Material: Display support: die-cast aluminium, powder coated (aluminium)
Mounting material: Galvanised steel



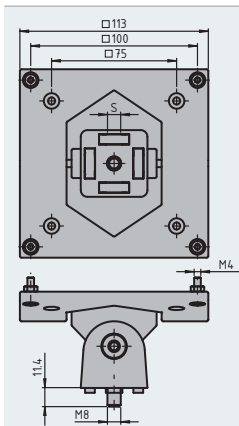
DESIGNATION	CARRYING CAPACITY (kg)	ARTICLE NUMBER
Height-adjustable 5-axle display support	10	406200120

Display support

new

For mounting display units with standard VESA port (75 × 75 and 100 × 100) on aluminium profiles (horizontal or at face end); the swivel axle supports the horizontal and vertical adjustment of display units weighing up to 11 kg.

Material: Adapter panel: Plastic (PA), fibreglass reinforced
Joint half: Plastic (PA), glass bead-reinforced
Slot lock: Uncoated die-cast zinc
Mounting material: Galvanised steel



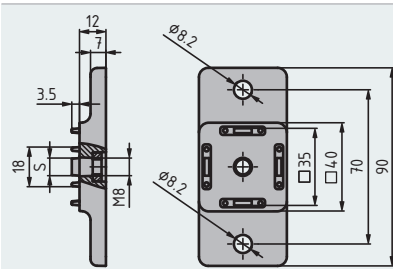
DESIGNATION	SLOT	ARTICLE NUMBER
Display support	8/10	406516100

Display support adapter panel

new

Use to mount a display support at a right angle; the accessible mounting holes allow you to adjust the position afterwards

Material: Adapter panel: Die-cast aluminium, powder coated (aluminium)
Insert nut: Galvanised steel

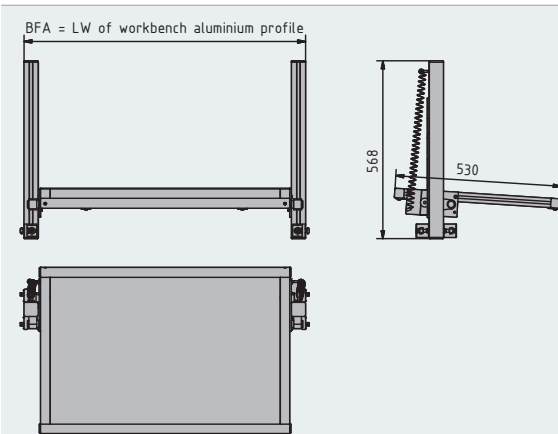
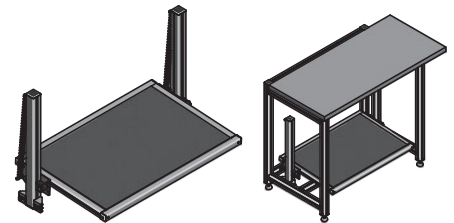


DESIGNATION	WEIGHT (g)	ARTICLE NUMBER
Display support adapter panel 40	64	406516101

Height-adjustable footrest

Use a height-adjustable footrest for a much more ergonomic posture at your workplace.

While the bracket from the package enables quick and easy integration in your work table, a spring is a convenient means of adjusting the height.



DESIGNATION	BFA	TFA	ARTICLE NUMBER
Footrest	900	530	206519735
ESD footrest 	900	530	206538409

Feel free to ask for footrests in special sizes. Just send us a request.

Sliding keyboard shelf



The shelf conveniently installs under the tabletop which leaves more space on the table.

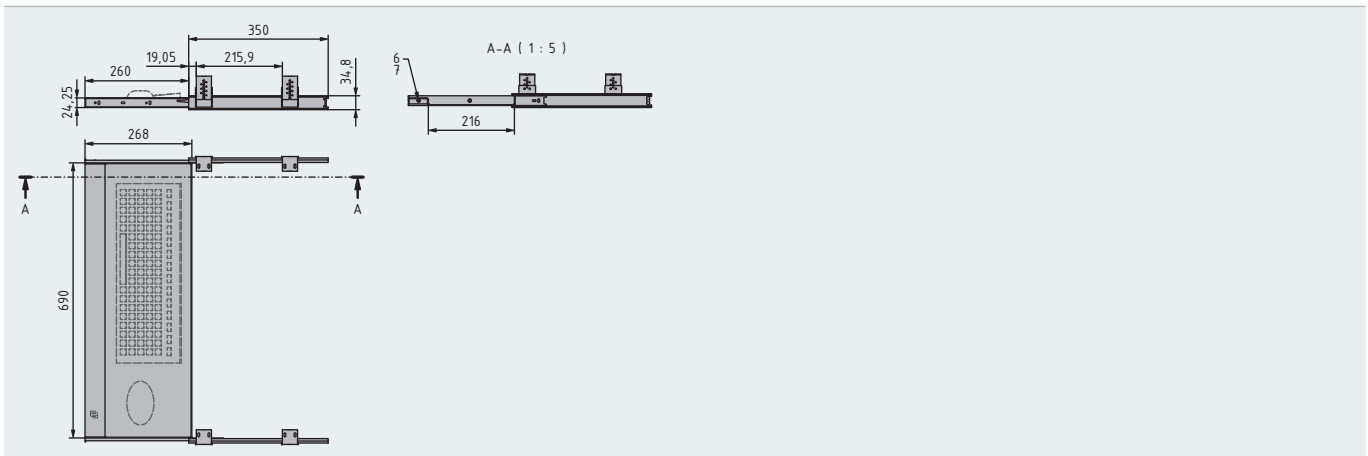
It is wide enough for both the keyboard and the mouse.

Sturdy sliding shelf of brush-finished stainless steel.

Material: Brush-finished stainless steel

Telescopic hold in/hold out slides included.

The package contains the mounting material required for installation under the tabletop.



DESIGNATION	W X D (TROUGH)	ARTICLE NUMBER
Sliding keyboard shelf	685 × 265	406200150

PC mount

Mounting the PC at an elevated position leaves more room for easily cleaning the space underneath. This is exactly what our PC mount is there for. It adapts to computers of any width.

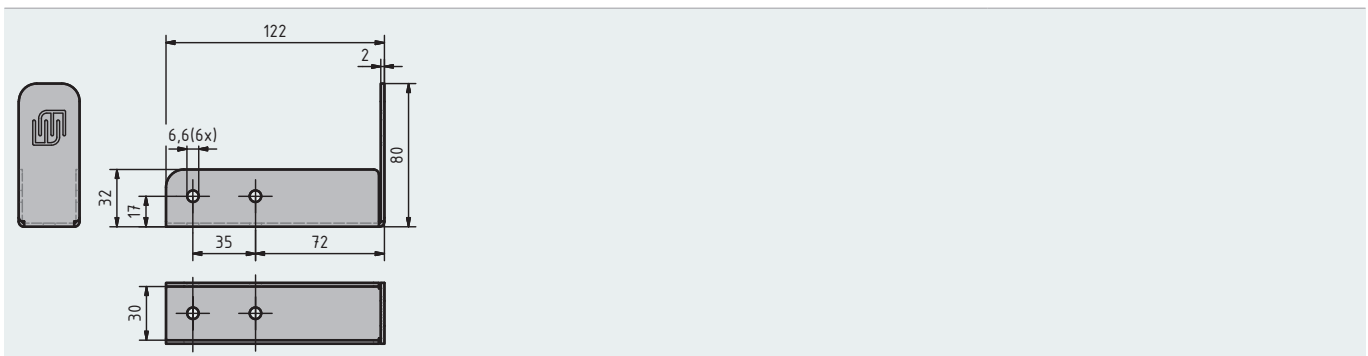
Use a 30 × 30 profile (not included) to fasten the mount on your desk. Using profiles of different lengths lets you use our PC mount for almost all computers.

Like with everything we supply, the PC mount leaves you the freedom of choice.

Decide to use two or three mounts.

Material: Dressed stainless steel

Package includes: 1x stainless steel mount, 4x M6x10 flange head screw



DESIGNATION	COUNTRY	ESD	ARTICLE NUMBER
PC mount	EU		406200100

Cup holder

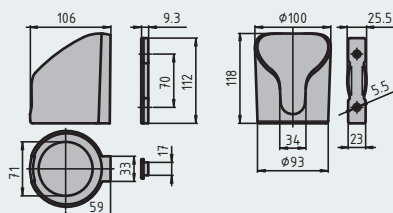
For safely putting down a bottle, tin or cup.

Material: plastic (PA)

Colour: black

Mounting: by M4 countersunk screw

Mounting on-site: by M4 countersunk screw

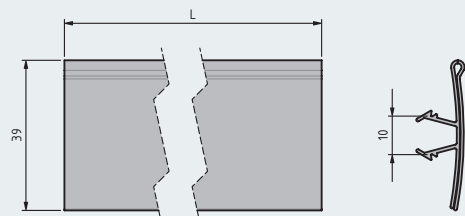
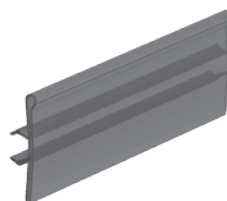


DESIGNATION	WEIGHT	ESD	ARTICLE NUMBER
Cup holder	157.0 g		405410000
Cup holder	149.5 g		405410001

Label clips

For brace profiles with 8 mm slot

Material: Rigid PVC; grey similar to RAL7035



DESIGNATION	L (mm)	SLOT	ARTICLE NUMBER
Label clip	102	8	402537651
Label clip	160	8	402537653
Label clip	2000	8	402537116

Bottle holder



For keeping bottles and square drink containers.

Use for standard bottles and beverage bags. Once mounted, the bottle holder will reduce the risk of spills and keep beverages away from your workspace.

Material: Powder coated steel wire (RAL7037); ESD-ready

Package includes: 2 M6 × 16 screws (DIN933); 2 M6 washers (DIN9021)



DESIGNATION	ARTICLE NUMBER
Bottle holder	406540429

Chest of drawers

Mounts on the table frame or under the tabletop.
Central drawer locking system.

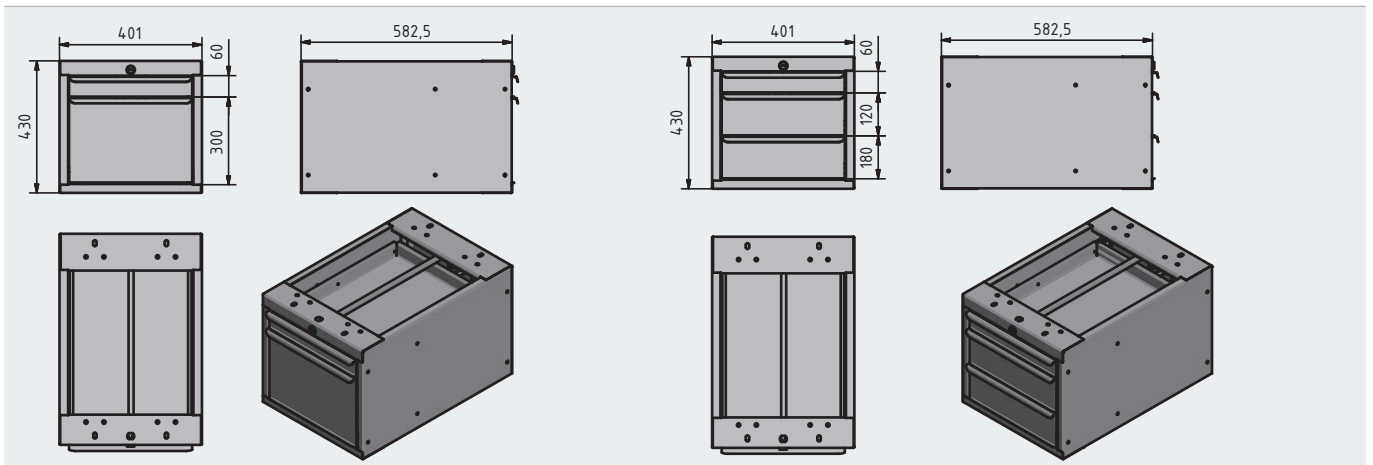
Every drawer can carry up to 350 N.

Soft and easy closing drawers with ball guide;
automatically retracting drawers.

Material: Steel sheet, dusty grey (RAL7037)

Package includes keys, drilling gauge, mounting kit

Material ESD: Steel sheet, dusty grey (RAL7037)



DESIGNATION	ESD	ARTICLE NUMBER
Chest of drawers, two drawers		3842546534
Chest of drawers, three drawers		3842546535
Chest of drawers, two drawers	yes	3842546538
Chest of drawers, three drawers	yes	3842546539

Desk chair, clean room basic



Clean room class 1 pursuant to US Federal Standard 209E

Ergonomic seat and backrest of conductive synthetic leather.

The tilt of the contact backrest permanently adapts to your sitting posture and can be located in any position.

Backrest height adjustment

Non-tilting base with five feet made of polished die-cast aluminium with either gliders for hard floors or soft conductive double castors whose braking force varies with the load.



DESIGNATION	SEAT HEIGHT (mm)	ARTICLE NUMBER
Desk chair, clean room basic with castors	470-610 mm	406527161
Desk chair clean room basic with glider and height-adjustable climbing aid	620-870 mm	406527162

Desk chair, clean room basic, accessories

Climbing aid

Immediate or later installation

Base ring

Immediate or later installation

Infinitely variable height

Chrome plate base ring, Ø455 mm



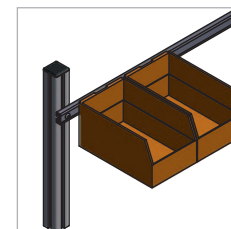
DESIGNATION	ARTICLE NUMBER
Climbing aid	406546772
Base ring	406546773
Armrest, light grey (1 pair)	406546774

Clip-in profile

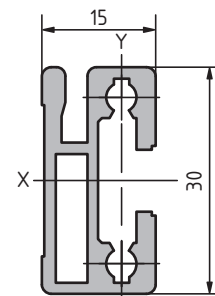
For quickly and reliably hanging up grab containers, grab ledges, grab trays and tool holders.

Profile machining: Through hole for screwdriver

Required accessories: Screw; hammer head nut



Article number	3842537659 (10 bars, 3000 mm each) 3842993411 /... max. 3000 mm 3842537681 (10 bars, 3000 mm each) ⚠ 3842993359 /... max. 3000 mm ⚠
Profile	15 × 30
Slot	8 mm
Mass	0.55 kg/m
Moment of inertia	$I_y = 0.48 \text{ cm}^4$; $I_x = 2.06 \text{ cm}^4$
Section modulus	$W_y = 0.32 \text{ cm}^3$; $W_x = 2.68 \text{ cm}^3$
Profile surface	2.03 cm ²



DESIGNATION	T (mm)	COLOUR	ESD	ARTICLE NUMBER
Cap 15x30, PA	3	black	⚠	481338990

Grab container



Polypropylene plus carbon ensures permanent volume conductivity.

Stackable.

Labelling: ESD warning sign, recycling symbol.

Colour: black



DESIGNATION	EXTERNAL DIMENSIONS: mm (L × W × H)	INTERNAL DIMENSIONS: mm (L × W × H)	EFFECTIVE HEIGHT / STACK mm	ARTICLE NUMBER
Grab container	175 × 100 × 75	129 × 87 × 67	67	406344701
Grab container	95 × 100 × 50	60 × 87 × 44	44	406344702

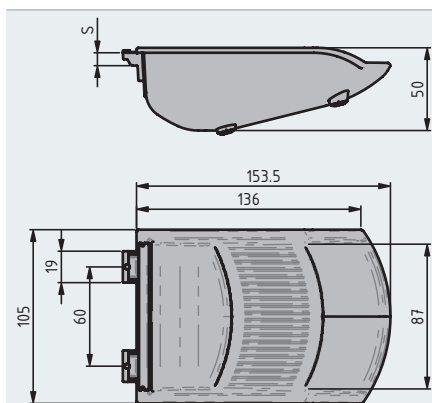
Typical surface resistance: $R_s = 10^4 - 10^5 \text{ Ohm}$


Slot 8 grab tray, 105 × 153.5 mm

Small parts under control: Use the grab tray to separate small parts and place it in front of storage bins or boxes with stacking edge. The optimised shape of the grabbing edge and the ergonomic design of the tray bottom makes it a lot easier to select and pick up very small parts.

The sturdy plastic grab tray is fit for tough everyday industrial use. If needed, you can simply unhook the trays. One of the model variants is an ESD-ready tray.

Material: plastic (PA6GF30)



DESIGNATION	SLOT	COLOUR	ARTICLE NUMBER
Grab tray, 105 × 153.5 × 50 mm	8	black	286500010
Grab tray, 105 × 153.5 × 50 mm	8	black 	286500011
Grab tray, 105 × 153.5 × 50 mm	8	traffic grey RAL7042	286500012
Grab tray, 105 × 153.5 × 50 mm	8	signal green RAL6032	286500013
Grab tray, 105 × 153.5 × 50 mm	8	traffic red RAL3020	286500014
Grab tray, 105 × 153.5 × 50 mm	8	signal yellow RAL1003	286500015

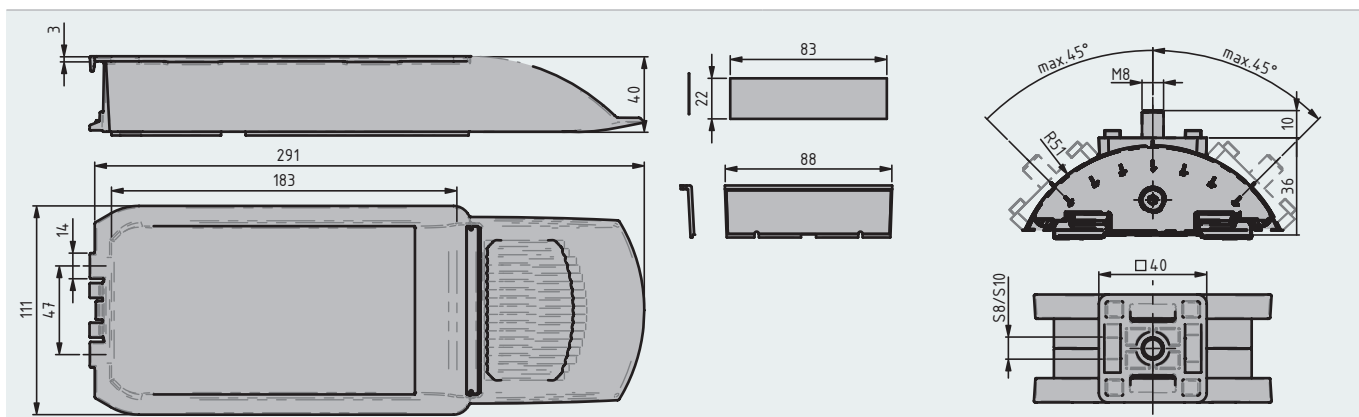
Slot 8 grab tray

new

For providing small parts from stock; mounts on the clip-in profile with or without separation area; optional adapter allows horizontal pivoting; clearly visible label area ensures a reliable allocation.

Use the pivot adapter to mount the tray on profile slots with separate slot lock for slot 8; pivots up to 45° in both directions; adjust the pivoting range by loosening the screw

Material: Black plastic (PA), fibreglass-reinforced

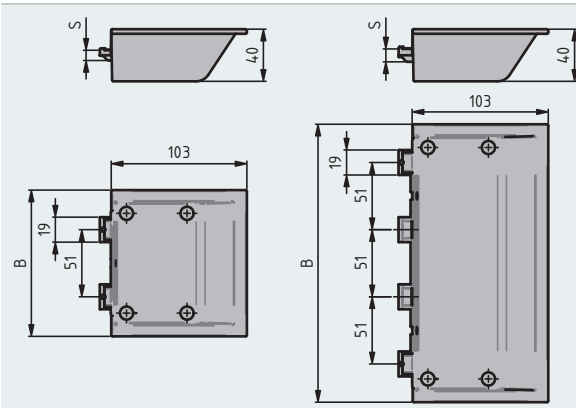
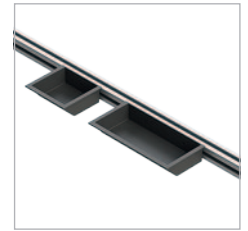


DESIGNATION	SLOT	ESD	ARTICLE NUMBER
Grab tray, 110 × 210 × 40 mm			416500020
Grab tray, 110 × 210 × 40 mm		Yes	416500021
Grab tray, 110 × 295 × 40 mm			416500022
Grab tray, 110 × 295 × 40 mm		Yes	416500023
Adapter	8		416500024
Adapter	8	Yes	416500025

Grab tray

Use to supply small parts to work centres. The hook-in bracket at the back allows you to mount the tray in 8-series profile slots. It can be screwed down to prevent the hooked-in tray from coming off.

Material: Black plastic (PA)



DESIGNATION	B = (mm)	SLOT	ARTICLE NUMBER
Grab tray	110	8	206500002
Grab tray	210	8	206500001

ESD worktop mat DK10



Double-layer composite coating.
 Non-wear synthetic resin.
 Resistant to solder and heat.
 Abrasion-proof.
 No halogens.
 Permanently elastic.
 Volume conductive.

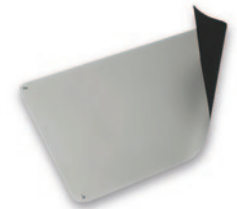
Material thickness: 2 mm

Features: 2 × 10 mm press button, rounded corners

Typical shunt resistance: $R_{gp} = 10^6 - 10^7$ ohm

Colour: grey

Size: 1220 × 610 mm



DESIGNATION	ARTICLE NUMBER
ESD worktop mat D10	406516900

Earthing box 3× DK10

Use as earth bonding point (EBP) for personnel earthing.

Colour: yellow

Earth conductor: 2 m long

Connection: 4 mm lug

Per connection: 1 MOhm safety resistance



DESIGNATION	ARTICLE NUMBER
ESD earthing box 3× DK10	406516905

Earthing plug without cable 3× DK10

For direct earthing of table and floor covers, central earthing bars or persons.

Dummy plug for earthing socket.

Colour: yellow



DESIGNATION	ARTICLE NUMBER
Earthing plug without cable 3× DK10	406516910

Earthing plug with cable



Connection: Banana jack, no resistor.

Dummy plug for earthing socket.

For direct earthing of table and floor covers.

Can be combined with wrist strap and earthing contact.



DESIGNATION	ARTICLE NUMBER
Earthing plug, 1 ohm resistance 10 mm DK	416522087

Black helix cable, 2.4 m; 10/10 mm DK



Highly elastic, 2.4 m long, 2 × 1 MOhm safety resistance

earthing contact connector: 10 mm press button

LGA-tested to BGI 818 (ZH1/267)

Typical resistance: $R = 2 \times 10^6$ ohm



DESIGNATION	ARTICLE NUMBER
Black helix cable, 2.4 m; 10/10 mm DK	416522100

Dark blue wrist strap, 10 mm DK



Adjustable, elastic, woven-in silver-plated plastic fibres, anti-allergenic
Typical resistance

$R < 1 \times 10^3$ ohm (inside)

$R < 1 \times 10^9$ ohm (outside)



DESIGNATION	ARTICLE NUMBER
Dark blue wrist strap, 10 mm DK	416516908

ESD earthing contact for 10 mm DK



Hex bolt = 7 mm; M6 × 16 thread
bottom push-button part 10 mm; precision turned part;
easy to mount; M6 × 15 thread

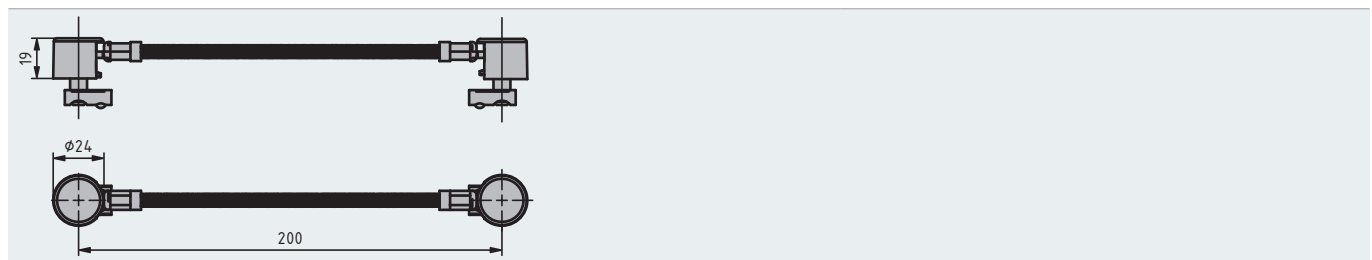


DESIGNATION	ARTICLE NUMBER
Earthing contact for 10 mm DK (push-button)	286516909

Earthing connection

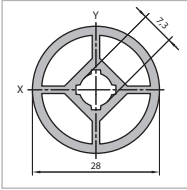
Ready-made electrical connection for system elements to be connected to a construction's protective earthing system.

Consists of: 2× slot nut, 2× hex nut, 2× grub screw,
2× hex nut, 2× serrated washer, earthing lead,
2× cap

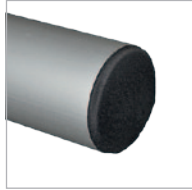


DESIGNATION	SLOT	ARTICLE NUMBER
Earthing connection, 2× slot nut, 2× hex nut, 2× grub screw, 2× hex nut, 2× serrated washer, earthing lead, 2× cap	8	286522100

ROUND PIPES



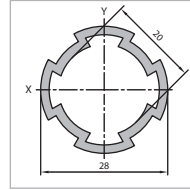
Page 14|3
Round pipe D28



Page 14|3
Round pipe cap



Page 14|3
Round pipe bracket



Page 14|4
Round pipe D28L



Page 14|5
Cross connector



Page 14|5
Corner bracket



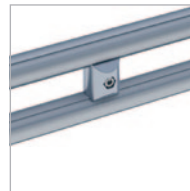
Page 14|6
45° connector



Page 14|6
Corner bracket D28
90°



Page 14|7
90° connector



Page 14|7
Parallel connector



Page 14|8
0-90° connector



Page 14|9
Round pipe
connector



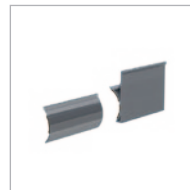
Page 14|10
Variofix block, die-
cast zinc



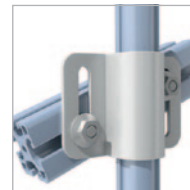
Page 14|10
Variofix block for
round pipes



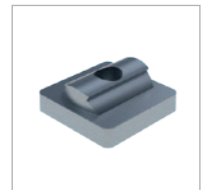
Page 14|11
Slide rail



Page 14|11
Label clip for round
pipe



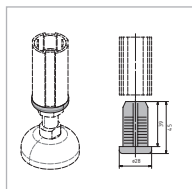
Page 14|12
Pipe clamp D28/S8



Page 14|12
Adapter panel set
D28



Page 14|13
T-connector panel
D28



Page 14|13
Threaded sleeve

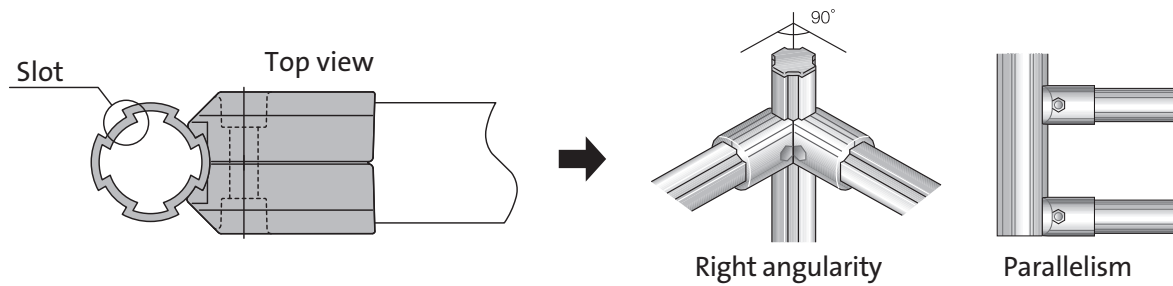
Round pipe series

Aluminium frames and coated steel frames

1 Environment

- Highly recyclable
- Whereas coated steel frames are not easy to recycle, GR-series aluminium frames are distinguished for their excellent recyclability.

2 Mounting made two times faster



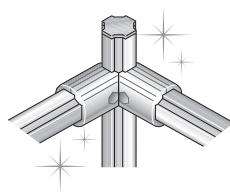
The frame features a double slot in each of the four directions. Like this, a single bolt is enough to put it a coupling link. The slot ensure that the result is parallel and at a right angle in every direction.



Installation by a single bolt makes coupling links easy to mount and remove.

3 Appearance

The anodised surface ensure that the appearance remains perfect without care for a very long time.



Coated steel frames

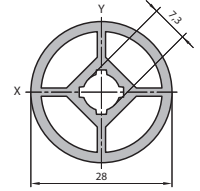
The coating wears off and causes dust in the course of time.

Round pipe D28

Slot 10

Use to build cross beams of shelves and workplaces

Article number	401535118 (20 bars, 6000 mm each) 401993317 / max. length: 6000 mm
Profile	D28
Mass	0.71 kg/m
Moment of inertia	$I = 1.61 \text{ cm}^4$
Section modulus	$w = 1.61 \text{ cm}^3$
Profile surface	$A = 2.63 \text{ cm}^2$

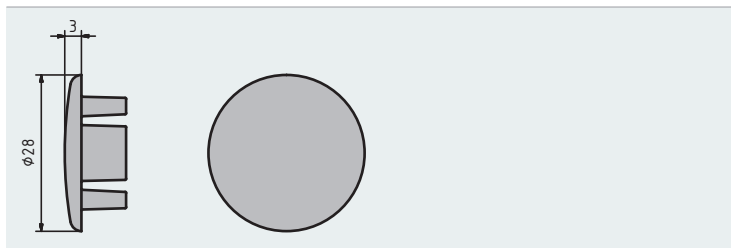


M8 thread supported at the face end

Cap D28



Material: Black plastic (PA)



DESIGNATION	ARTICLE NUMBER
Round pipe cap	408541195

Bracket



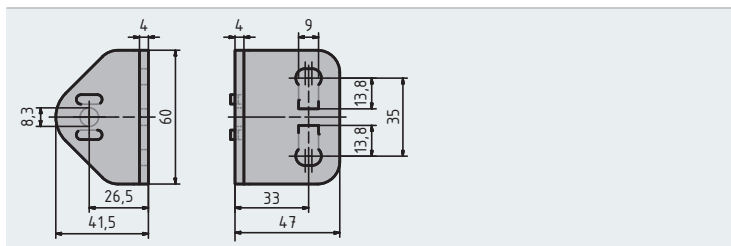
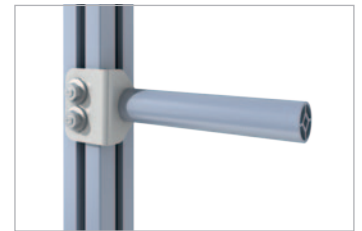
Use to attach a round pipe D28 to a brace profile with 8 mm slot. Particularly easy to install because the mounting height can be easily adjusted. You will need screw S8 x 25 482517543 for attachment to a round pipe.

Material: Galvanised steel

Package includes: 8 mm slot mounting kit

Mounting instruction: ESD-ready only if using notched slot nuts.

Drill a M8 thread for installation at a round pipe.

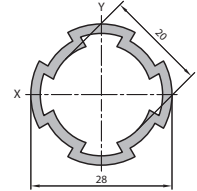


DESIGNATION	F=	ARTICLE NUMBER
Round pipe bracket	1300 N	208536002

Round pipe system D28L, D28L; N10

Round pipe system for the professional construction of workplaces, material carts, shelves and many other applications according to requirements

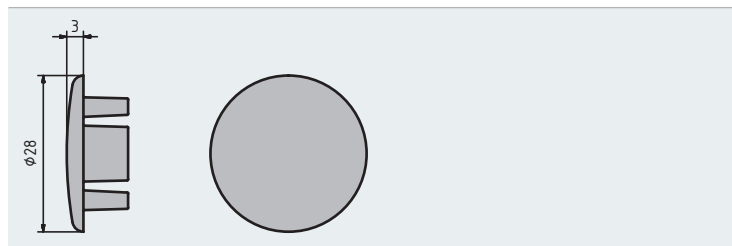
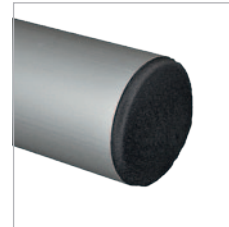
Article number	401541211 (20 bars, 6000 mm each) 401996191 / max. length: 6000 mm
Profile	D28L
Mass	0.483 kg/m
Moment of inertia	$I = 1.33 \text{ cm}^4$
Section modulus	$w = 0.50 \text{ cm}^3$
Profile surface	$A = 1.79 \text{ cm}^2$



Round pipe cap D28L; D28L N10



Material: Black plastic (PA)

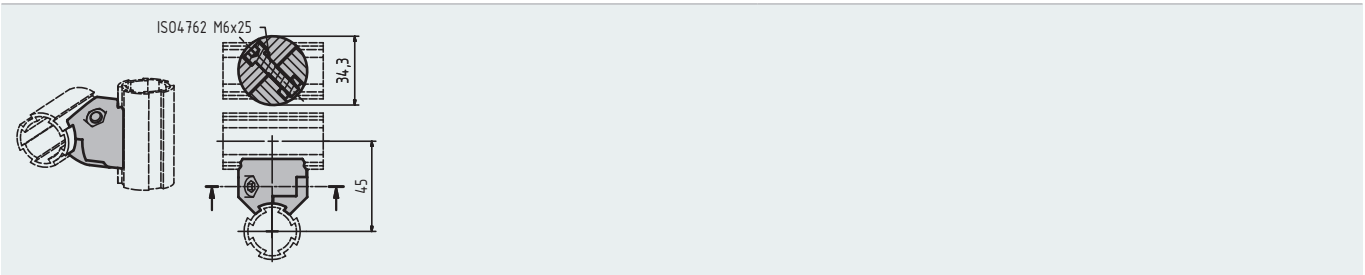
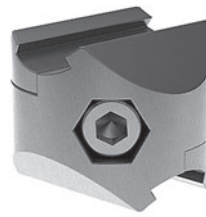


DESIGNATION	ARTICLE NUMBER
Round pipe cap	408541195

Cross connector

Material: Die-cast aluminium

Package includes mounting material

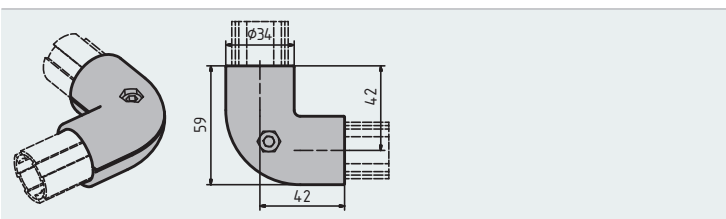


DESIGNATION	F =	M =	ARTICLE NUMBER
Cross connector	900 N	30 Nm	408541181

Corner bracket

Material: Die-cast aluminium

Package includes mounting material



DESIGNATION	ARTICLE NUMBER
Corner bracket	408541188

Pipe add-on without slot lock: $16.5^{-0,5}$
 Pipe add-on with slot lock: $22.0^{-0,5}$

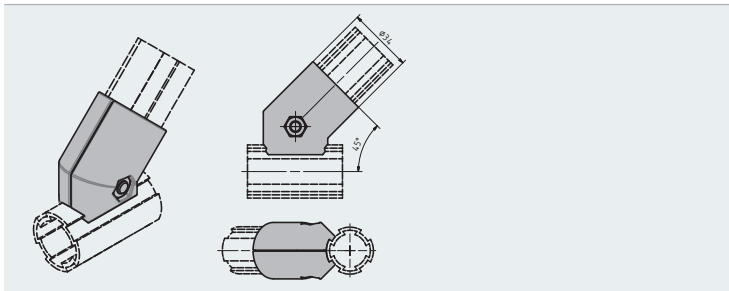
Corner bracket loads

F1	F2	M1	M2
500 N	300 N	50 Nm	50 Nm

45° connector

Material: Die-cast aluminium

Package includes mounting material



Pipe add-on without slot lock: 16.5^{-0,5}

Pipe add-on with slot lock: 22.0^{-0,5}

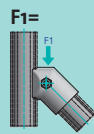
DESIGNATION

ARTICLE NUMBER

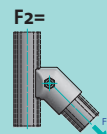
45° connector

408541175

45° connector loads



900 N



400 N

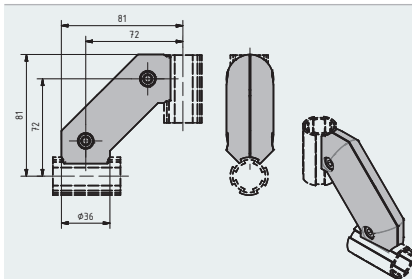
408541175

Corner bracket

Stiffens a 90° corner joint of two round pipe profiles, Ø 28 mm

Material: Uncoated die-cast aluminium

Package includes mounting material (M6 × 25 screw, M6 nut)

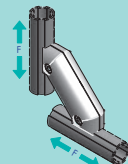


DESIGNATION

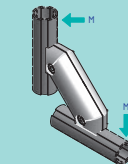
F =

M =

ARTICLE NUMBER



900 N



80 Nm

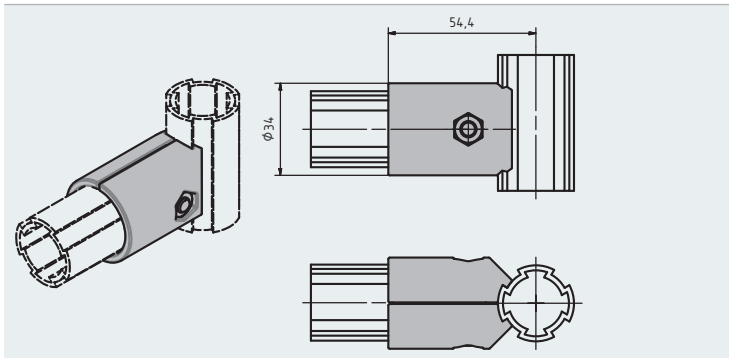
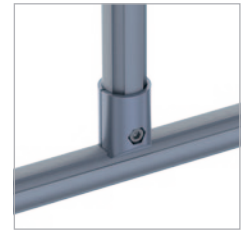
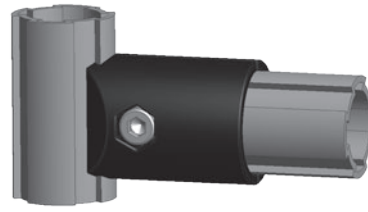
Corner bracket D28 90°

408541191

90° connector

Material: Die-cast aluminium

Package includes mounting material



DESIGNATION	ARTICLE NUMBER
-------------	----------------

90° connector	408541173
---------------	-----------

Pipe add-on without slot lock: 16.5^{-0,5}
 Pipe add-on with slot lock: 22.0^{-0,5}

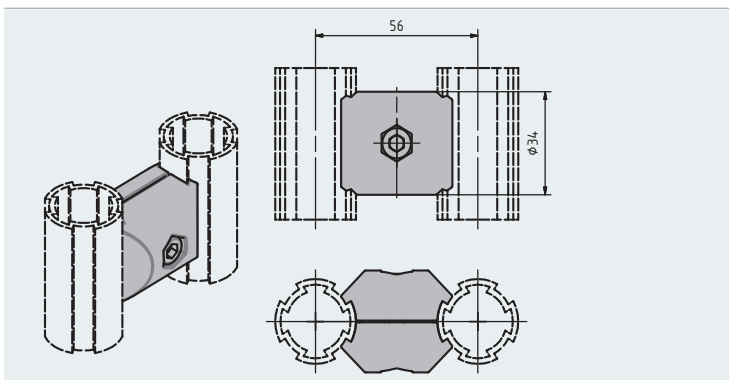
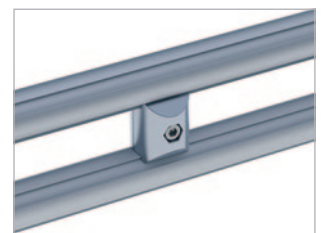
90° connector loads

	F1	F2	M
D28L/D28L	900 N	500 N	30 Nm
D28L/D28	900 N	300 N	15 Nm

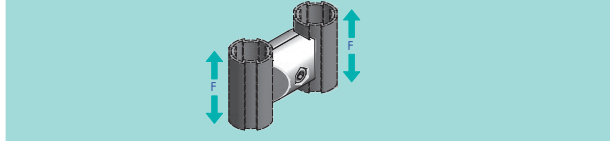
Parallel connector

Material: Die-cast aluminium

Package includes mounting material



DESIGNATION	F =	ARTICLE NUMBER
-------------	-----	----------------

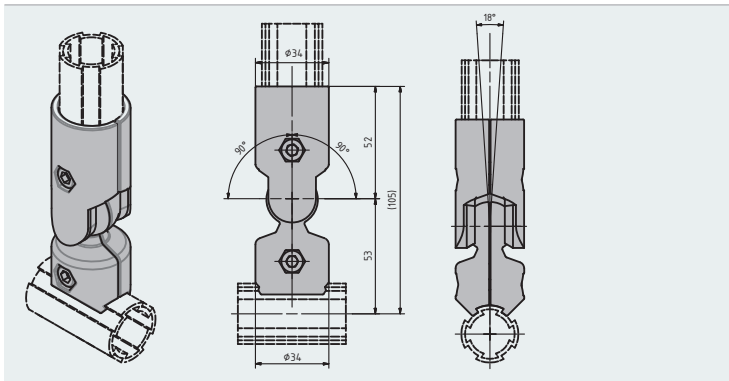


Parallel connector	900 N	408541183
--------------------	-------	-----------

0-90° connector

Material: Die-cast aluminium

Package includes mounting material



Pipe add-on without slot lock: $16.5^{-0,5}$
 Pipe add-on with slot lock: $22.0^{-0,5}$

DESIGNATION

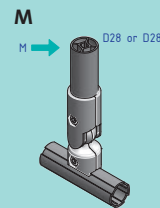
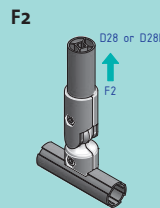
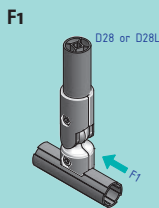
0-90° connector

ARTICLE NUMBER

408541178

0-90° connector loads

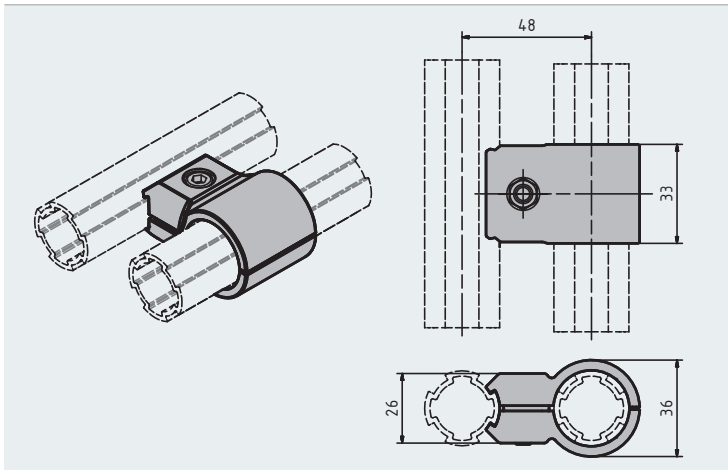
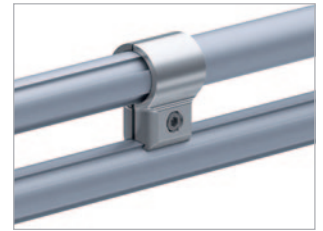
	F1	F2	M
D28L/D28L	900 N	500 N	5 Nm
D28L/D28	900 N	300 N	5 Nm



Round pipe connector

Material: Die-cast aluminium

Package includes mounting material



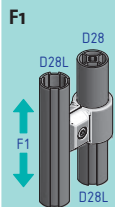
DESIGNATION

Round pipe connector

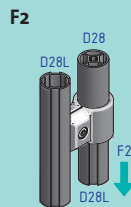
ARTICLE NUMBER

408541189

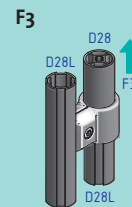
Round pipe connector loads



900 N



400 N



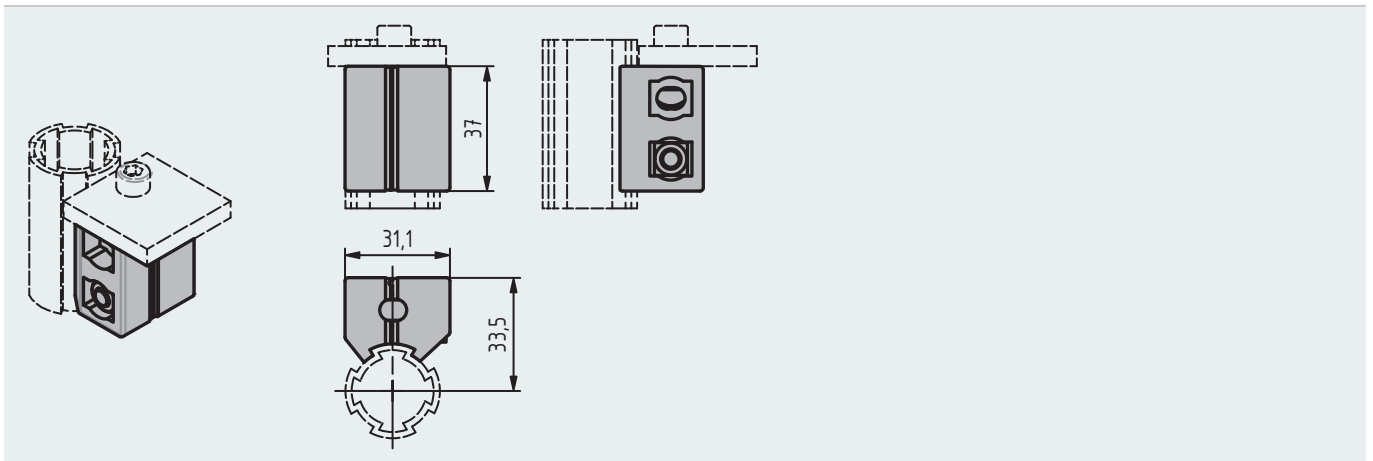
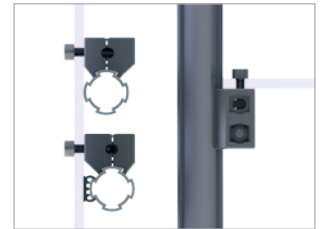
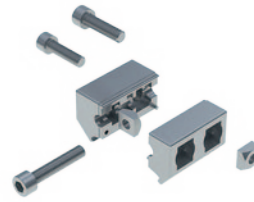
500 N

Variofix block, die-cast zinc

For fastening surface elements

Material: Connector: die-cast zinc

Mounting kit: Galvanised steel



DESIGNATION	ARTICLE NUMBER
Variofix block for round pipes	408543494

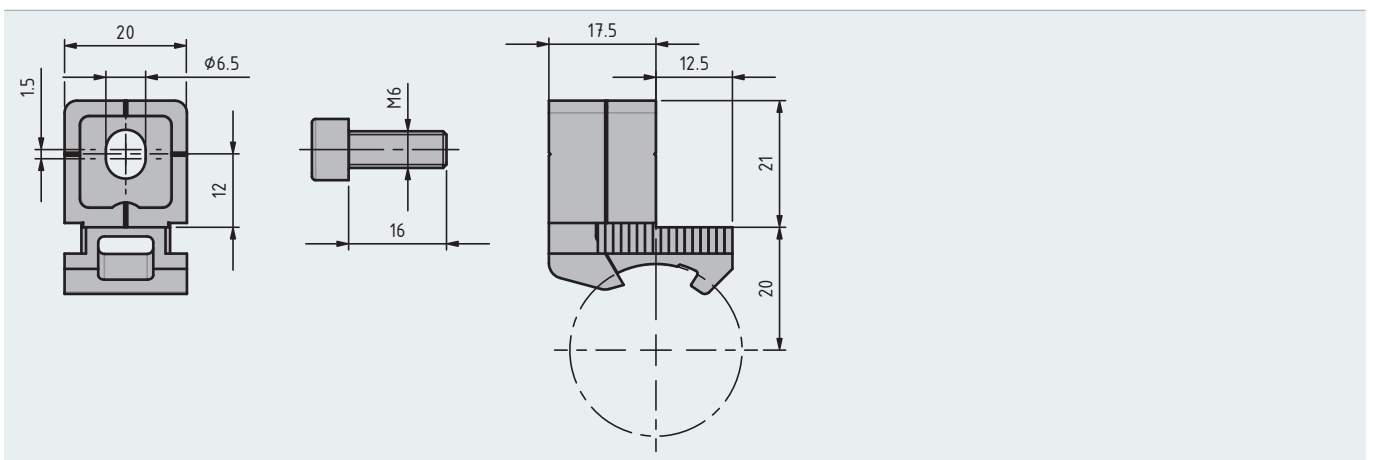
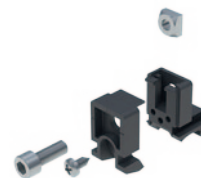
Variofix block for round pipe D28

For fastening surface elements up to 8 mm thick.

Material: Black plastic (PA66)

Mount: mounting material M6 × 15 (ISO4762);

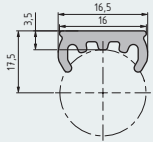
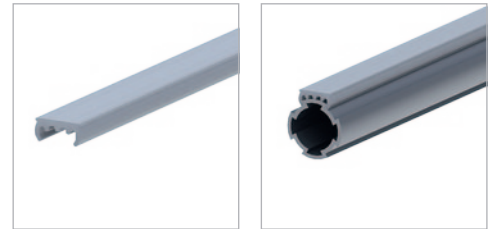
M6 (DIN557), M5 × 10 screw included



DESIGNATION	ESD	ARTICLE NUMBER
Variofix block, plastic		408543311

Slide rail for round pipes D28L

Easy way of building a conveyor track or pushing section by simply clipping the slide rail onto round pipe D28L

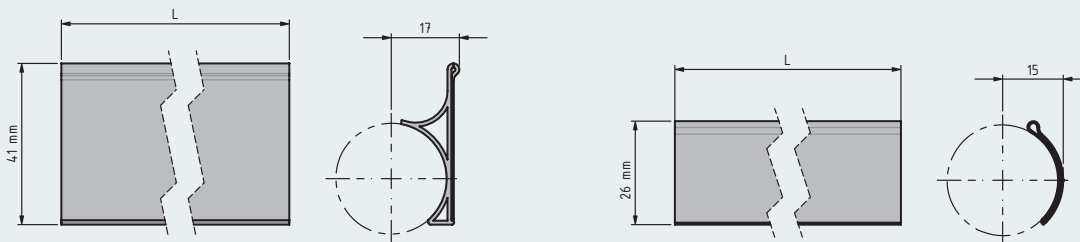
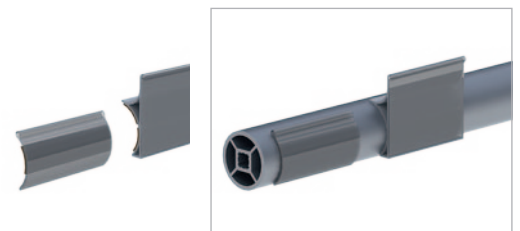


DESIGNATION	LENGTH (mm)	ESD	MATERIAL	ARTICLE NUMBER
Slide rail	2000		PVC; grey similar to RAL7035	408541196
Slide rail	2000		PVC, black similar to RAL 9005	408541197

Label clip for round pipe D28; D28L

Choose from adhesive label clip with straight or rounded writing area.

Material: Rigid PVC; grey similar to RAL7035



DESIGNATION	L = (mm)	MATERIAL	ARTICLE NUMBER
Label clip with straight writing area	2000 mm	Rigid PVC; grey similar to RAL7035	408537119
Label clip with straight writing area	120 mm	Rigid PVC; grey similar to RAL7035	408537652
Label clip with rounded writing area	2000 mm	Rigid PVC, transparent	408535136
Label clip with rounded writing area	120 mm	Rigid PVC, transparent	408538093

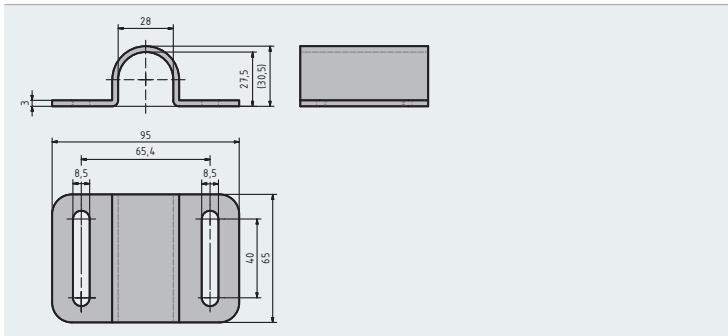
Pipe clamp D28/N8



For mounting material shelves with 8 mm slot on round pipe D28L; tilt angles up to 30° are supported

Material: Galvanised steel

Mounting instruction: ESD-ready only if using notched slot nuts.



DESIGNATION

Pipe clamp

ARTICLE NUMBER

208541193

Adapter panel set D28

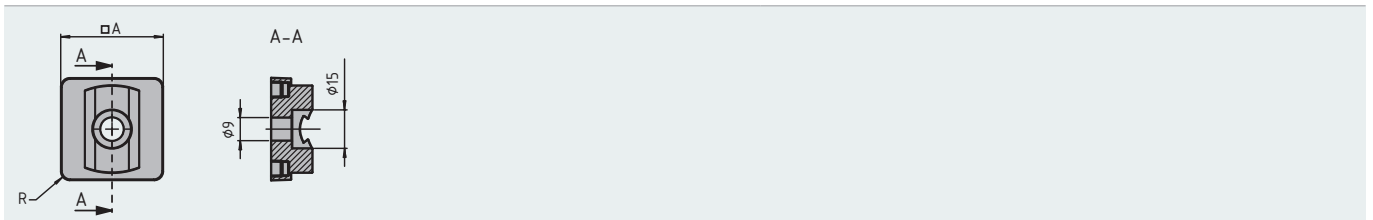
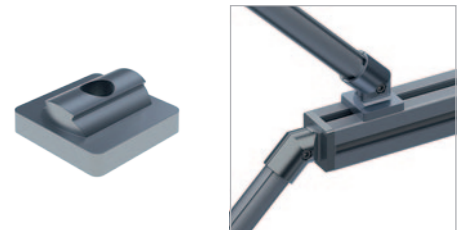
new

For connecting round pipe profiles to slot 8 aluminium profiles

Material: Adapter panel: uncoated die-cast aluminium

Slot lock: Uncoated die-cast zinc

Set: Adapter panel & 2 slot locks



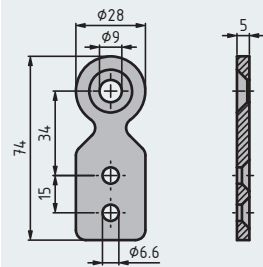
DESIGNATION	N	A (mm)	R (mm)	ARTICLE NUMBER
Adapter panel set D28	8	40	4	408536010

T-connector panel D28

new

For connecting a round pipe profile (outer diameter \varnothing 28 mm) to an aluminium profile by a screw in the M8 core hole of the \varnothing 28 mm round pipe profile or in the D28 M8 threaded sleeve for round pipe profiles \varnothing 28 mm

Material: Galvanised steel



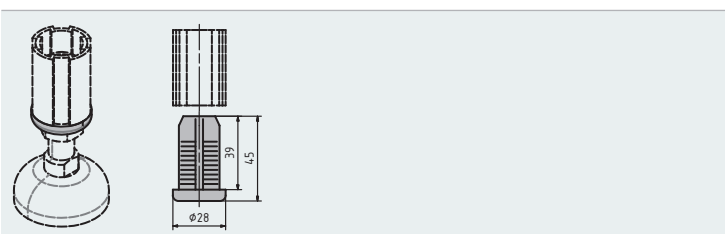
DESIGNATION	WEIGHT (g)	ARTICLE NUMBER
T-connector panel D28	52.3	408541186


Threaded sleeve D28L

For integrating a hinged foot or a steering castor.

Material: black plastic (PA); hex nut: Galvanised steel

Thread: M12



DESIGNATION	F=	ARTICLE NUMBER
Threaded sleeve D28L	 1300 N	408541185

KLT LIFTERS



Page 15|2
KLT lifters



KLT lifter
Front loading



KLT lifter
Lateral loading

KLT lifter

Use the electric box lifter for placing working materials at an ergonomic position.

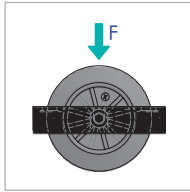
- Electric geared drive with brake
- Power-coated or galvanised surface
- Magnetic control panel with emergency off switch
- Light sensor adjusts to an infinitely variable working height
- Electronically conductive
- Ready for connection (by earthed plug)
- CE mark of conformity

For further details, please visit us at:

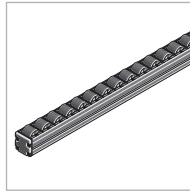
→ www.syskomp-group.com



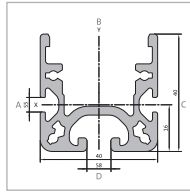
ROLLER CONVEYOR SECTIONS



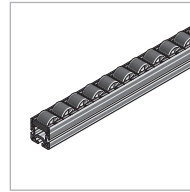
Page 16|2
Roller loads



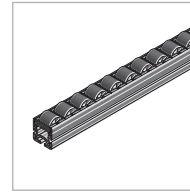
Page 16|2
Assembled roller section



Page 16|2
Aluminium roller profile 5/8



Page 16|3
Roller holder D28 / partition 50



Page 16|4
Roller holder D28 / partition 33



Page 16|4
Roller element H26



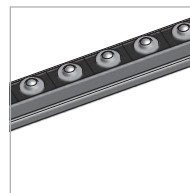
Page 16|5
Roller element R9



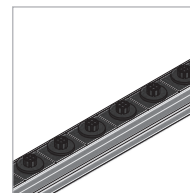
Page 16|6
Slide strip for roller section



Page 16|6
Ramp



Page 16|7
Ball element



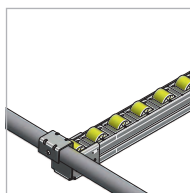
Page 16|7
Brush element



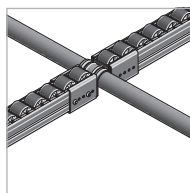
Page 16|8
Brake



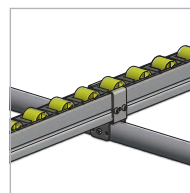
Page 16|8
Return stop



Page 16|9
Rail bracket



Page 16|10
Variable bracket



Page 16|10
AL D28 bracket mount



Page 16|11
End plate



Page 16|12
Side guide



Page 16|13
Workplace



Page 16|14
Feeder unit



Page 16|15
Material cart



Page 16|16
Lean shelf



Page 16|17
FIFO shelf

FIFO

"First in - first out" means that the material placed into stock is also the first to be withdrawn from stock.

LEAN

"Lean production" is self-explanatory.

It aims to reduce the costs and increase the efficiency of all production processes which, in turn, results in optimised productivity.

The main idea is to avoid waste e.g. by eliminating unnecessary stock and avoiding overproduction.

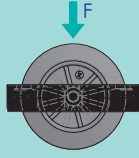
Our state-of-the-art and modular shelf or conveyor systems is an easy and cost-efficient means of reflecting your production process by manual chaining.

Rollers with or without flange are available in various colours and intended to indicate your stock at hand (Kanban) or the "ok" or "not ok" parts.

Empties are returned by a separate conveyor that is part of the shelf system.

Owing to their modular design, the conveyor sections easily adapt to materials of varying sizes.

Roller loads

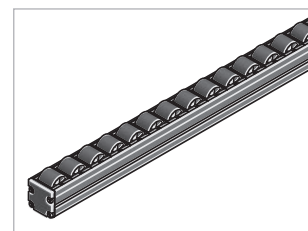
DESIGNATION	F= LOAD PER MOUNTED ELEMENT
	
Roller D28, roller spacing 50	125 N
Roller D28, roller spacing 33	125 N
Semi-roller H26	150 N
Roller R9	300 N (5 rollers per cage)

Fully assembled roller conveyor section


Easily and quickly installs your roller track.

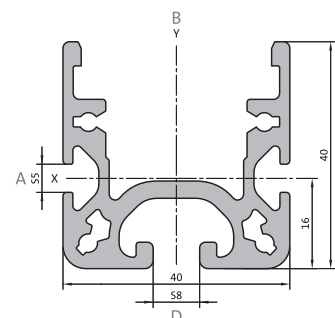
Upon request.

Please contact us. We will respond quickly and without further ado by proposing a price and delivery time of your sections to you.



Aluminium roller profile 5/8

Article number	8814040 (20 bars, 6000 mm each) 8819940 / max. length: 6000 mm  8814040E (20 bars, 6000 mm each) 8819940E /... max. length: 6000 mm
Profile	40 × 40
Slot	5/8 mm
Mass	1.34 kg/m
Moment of inertia	$I_x = 10.28 \text{ cm}^4$; $I_y = 5.75 \text{ cm}^4$
Section modulus	$W_x = 5.14 \text{ cm}^3$; $W_y = 2.28 \text{ cm}^3$
Profile surface	4.97 cm^2



Roller holder D28, roller spacing 50 / partition 50

Pre-assembled roller element.

Smoothly running rollers for general use.

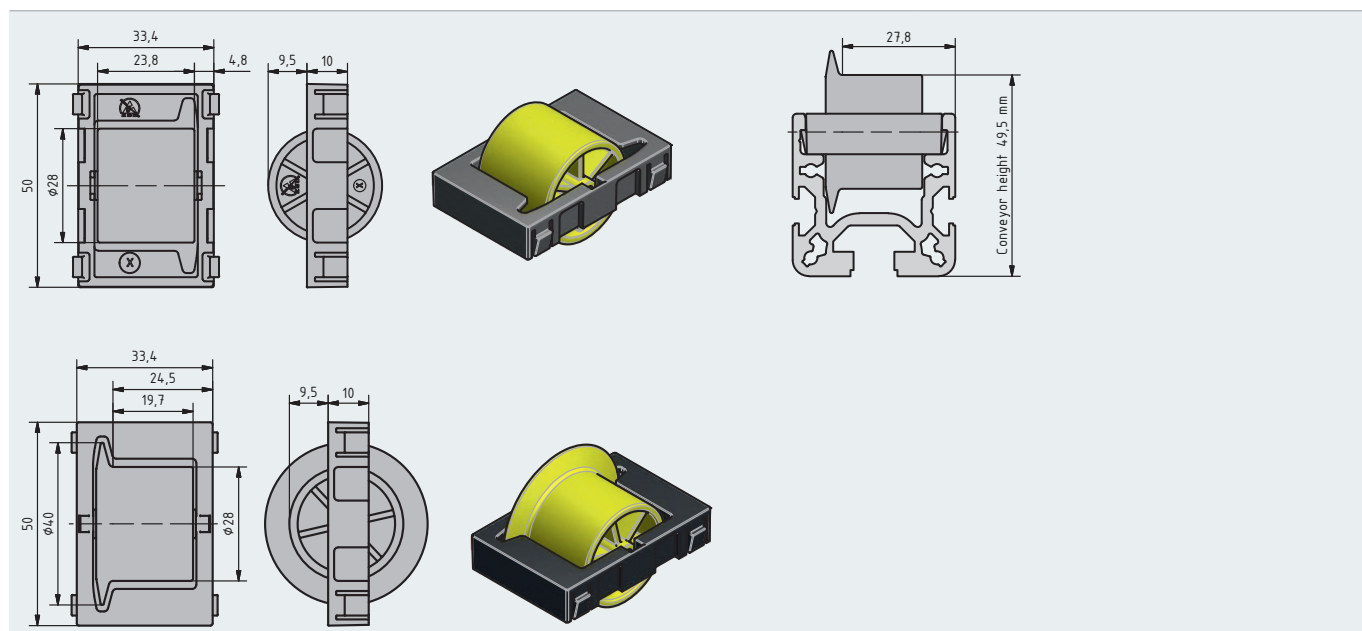
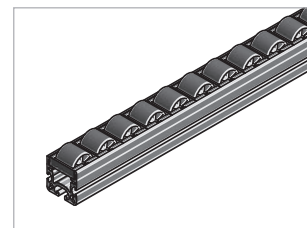
Different colours support the use of fill level marks.

ESD version available.

Material: Cage: plastic (PA), fibreglass reinforced

Roller: plastic (PA), glass bead-reinforced

Axle: Galvanised steel

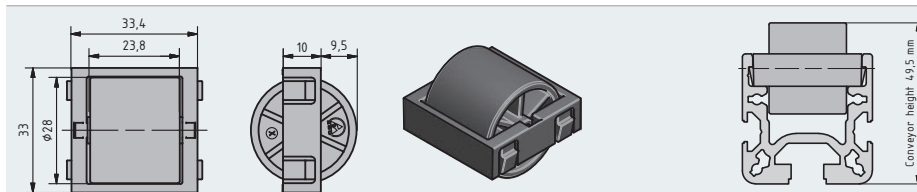
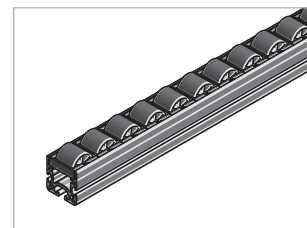


DESIGNATION	ESD	COLOUR (ROLLER)	COLOUR (CAGE)	WEIGHT (g)	ARTICLE NUMBER
Roller element without flange		black	black	19.0	801150
Roller element without flange		black	black	16.0	801155
Roller element without flange		red, similar to RAL3020	black	19.0	801151
Roller element without flange		yellow, similar to RAL1003	black	19.0	801152
Roller element without flange		green, similar to RAL6032	black	19.0	801153
Roller element without flange		grey, similar to RAL7035	black	19.0	801154
Roller element without flange		grey	grey	19.0	801156
Roller element with flange		black	black	22.0	801200
Roller element with flange		black	black	17.0	801205
Roller element with flange		red, similar to RAL3020	black	22.0	801201
Roller element with flange		yellow, similar to RAL1003	black	22.0	801202
Roller element with flange		green, similar to RAL6032	black	22.0	801203
Roller element with flange		grey, similar to RAL7035	black	22.0	801204
Roller element with flange		grey	grey	19.0	801206

Roller holder D28, roller spacing 33 / partition 33

Pre-assembled roller element.
 Smoothly running rollers for general use.
 Different colours support the use of fill level marks.
 ESD version available.

Material: Cage: plastic (PA), fibreglass reinforced
 Roller: plastic (PA), glass bead-reinforced
 Axle: Galvanised steel

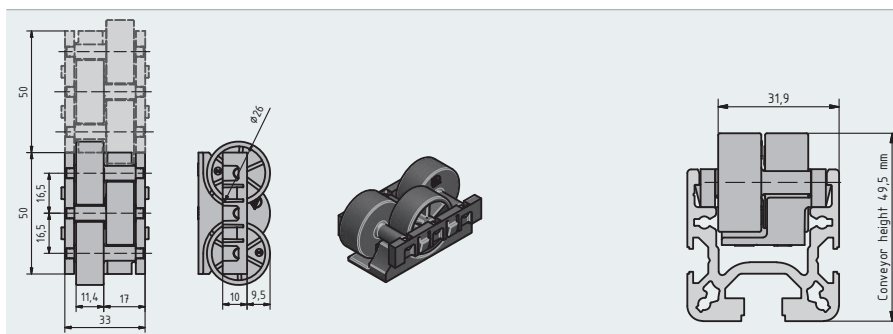
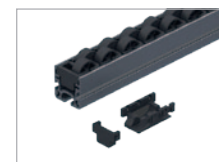


DESIGNATION	COLOUR (ROLLER/CAGE)	ESD	WEIGHT (g)	ARTICLE NUMBER
Roller element D28, roller spacing 33	black/black		19.0	801050
Roller element D28, roller spacing 33	black/black		16.0	801055
Roller element D28, roller spacing 33	red, similar to RAL3020/black		19.0	801051
Roller element D28, roller spacing 33	yellow, similar to RAL1003/black		19.0	801052
Roller element D28, roller spacing 33	gree, similar to RAL6032/black		19.0	801053
Roller element D28, roller spacing 33	grey, similar to RAL7035/black		19.0	801054
Roller element D28, roller spacing 33	grey/grey		19.0	801056

Roller element H26, roller spacing 16.5 / partition 50

Pre-assembled D26 roller element for roller rails.

Material: Cage, roller: Plastic (PA), glass bead-reinforced
 Axle: Galvanised steel



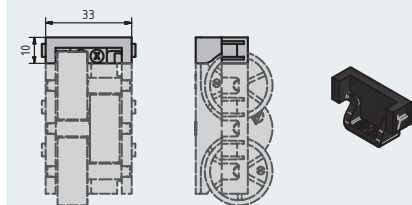
DESIGNATION	COLOUR (ROLLER/CAGE)	ESD	WEIGHT (g)	ARTICLE NUMBER
Roller element H26	black/black		16.0	801100
Roller element H26	black/black		15.0	801105
Roller element H26	red, similar to RAL3020/black		16.0	801101
Roller element H26	yellow, similar to RAL3020/black		16.0	801102
Roller element H26	green, similar to RAL3020/black		16.0	801103
Roller element H26	grey, similar to RAL7035/black		16.0	801104
Roller element H26	grey, similar to RAL7035/grey, similar to RAL7035		16.0	801106

Cage for end fitting

Use the holder to ensure that the semi-roller fits smoothly.

Material: plastic (PA), fibreglass reinforced

Colour: black



DESIGNATION	ESD	L = (mm)	WEIGHT (g)	ARTICLE NUMBER
Cage for end fitting		20	4.0	800400
Cage for end fitting		20	4.0	800401

Roller element R9

Pre-assembled R9 roller element for AL roller rails.

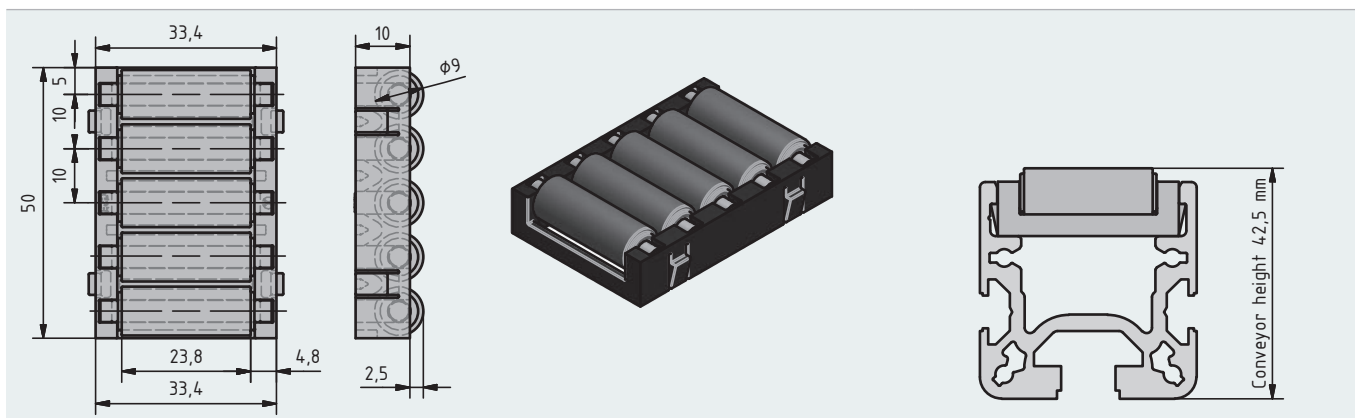
Very durable conveyor rollers for roller rails. The small roller spacing supports the use of steady transport sections.

Quickly replaceable.

Material: Cage: plastic (PA), fibreglass reinforced

Roller: plastic (PA), glass bead-reinforced

Axle: Galvanised steel



DESIGNATION	COLOUR (ROLLER/CAGE)	ESD	WEIGHT (g)	ARTICLE NUMBER
Roller element with roller	black/black		15.0	801250
Roller element with roller	black/black		16.0	801255
Roller element with roller	red, similar to RAL3020/black		15.0	801251
Roller element with roller	yellow, similar to RAL1003/black		15.0	801252
Roller element with roller	green, similar to RAL6032/black		15.0	801253
Roller element with roller	grey, similar to RAL7035/black		15.0	801254
Roller element with roller	grey, similar to RAL7035/grey, similar to RAL7035		15.0	801256

Slide strip

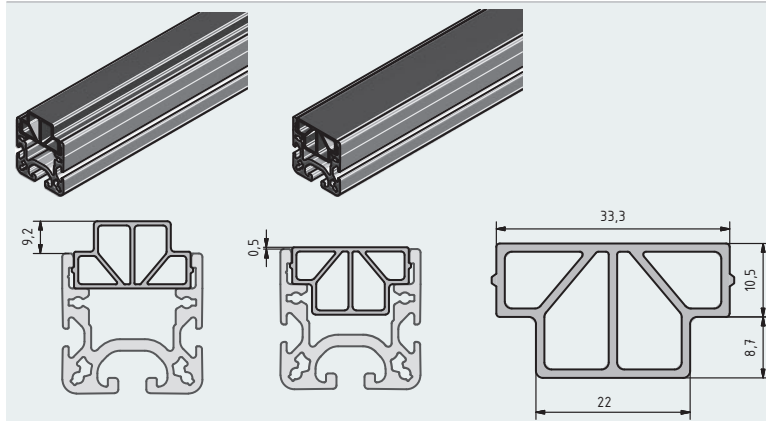
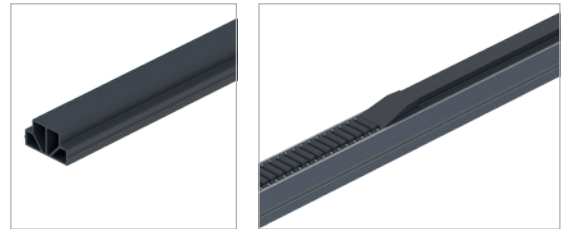


Low-wear plastic slide strips for easy goods transport.
Two different installation heights.

Material: plastic (PE-HD), electrostatic discharge capability

Colour: black

Extras: ask for other colours



DESIGNATION	LENGTH (mm)	WEIGHT (g)	ARTICLE NUMBER
Slide strip	2000	324.0	801360

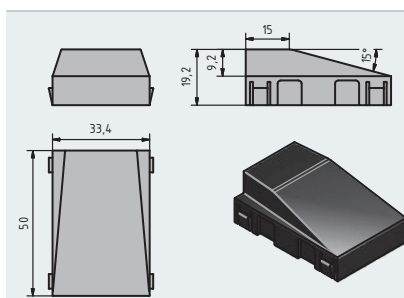
Ramp

Smooth changing from higher to lower rails and vice versa.

Material: plastic (PA), fibreglass reinforced

Colour: black

Extras: ask for other materials and colours



DESIGNATION	DESIGN	WEIGHT (g)	ARTICLE NUMBER
Slide ramp AL		50	800200
Slide ramp AL		50	800201

Ball element

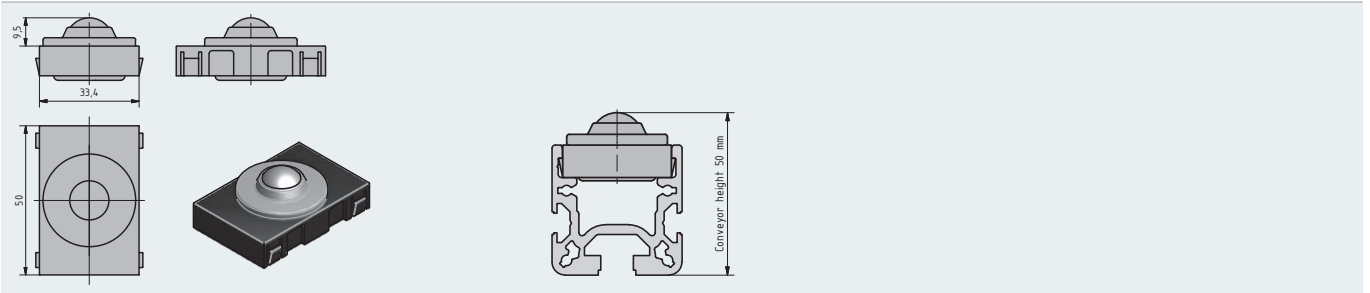
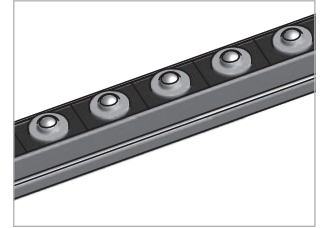
Pre-assembled ball element for roller rail AL enables the infeed / discharge of goods and ensures a smooth sliding along the roller rail.

The ball element holder also fits in surface elements.

Material: Cage: plastic (PA), carbon fibre reinforced, black

Ball: stainless steel

Ball housing: Galvanised steel



DESIGNATION	WEIGHT (g)	ARTICLE NUMBER
Ball element	72.0	801370

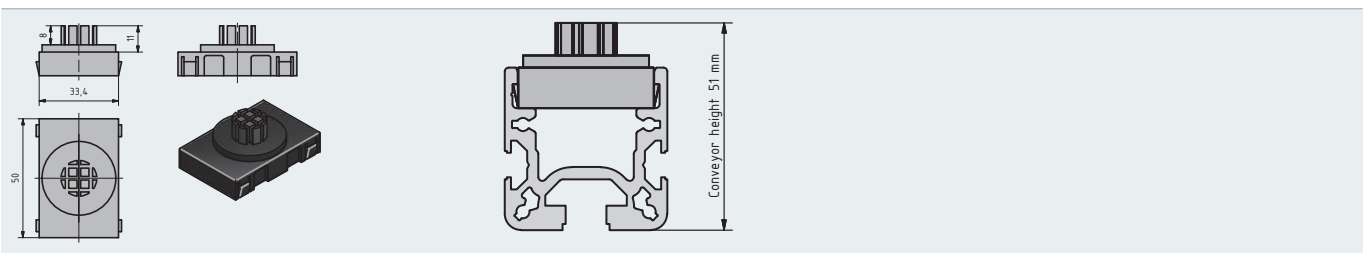
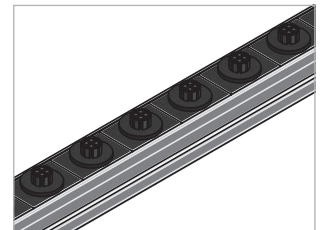
Brush element

Pre-assembled brush element for roller rail AL. Its elastic bristles ensure a smooth sliding of goods along the roller rail.

Scratch protection by minimised area of contact.

ESD-ready brush holder for use in surface elements.

Material: Black plastic (PA), carbon fibre reinforced

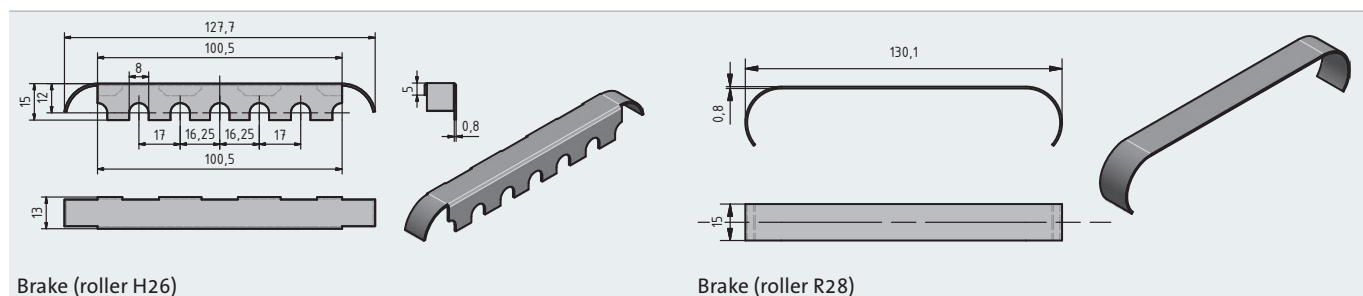
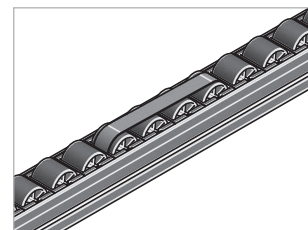


DESIGNATION	ESD	WEIGHT (g)	ARTICLE NUMBER
Pre-assembled brush element with brush		15.0	801371

Brake

For slowing down goods on the roller rail.
The brake quickly and easily mounts on the roller.

Material: Uncoated stainless steel



Brake (roller H26)

Brake (roller R28)

DESIGNATION	WEIGHT (g)	ARTICLE NUMBER
Brake H26	18.0	801340
Brake R28	15.0	801320

Return stop

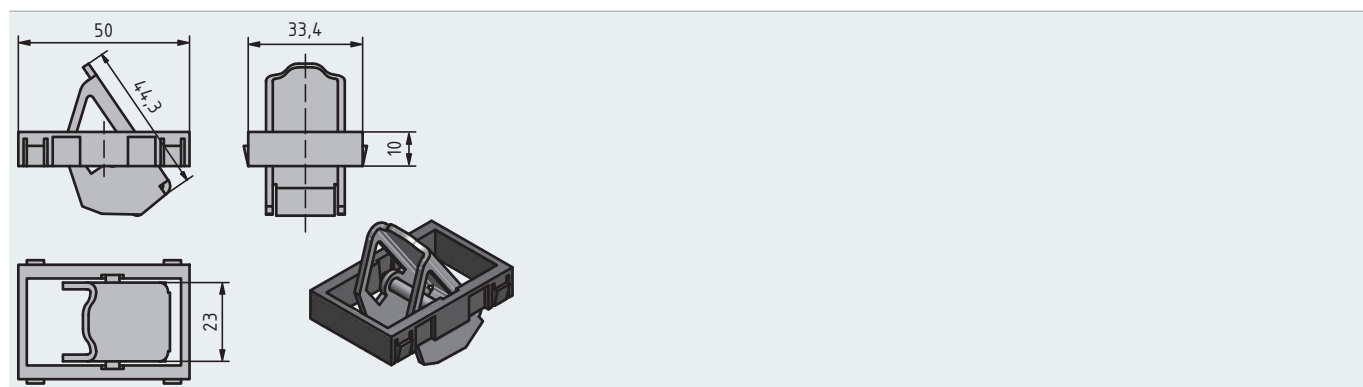
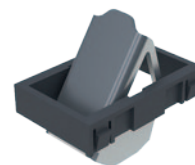


Pre-assembled return stop element for use on roller rails.
Prevents goods from moving backwards along the roller rail.

Material: Cage: plastic (PA), carbon fibre reinforced, black

Return stop: steel

Axle: galvanised

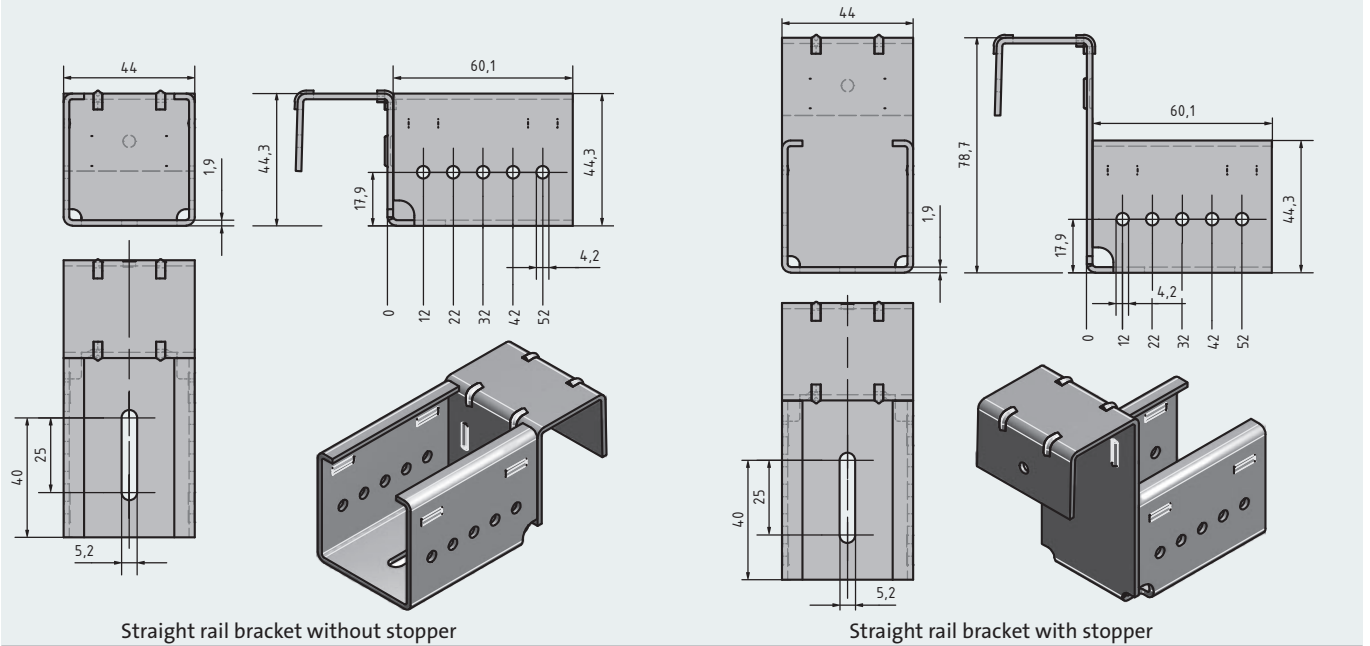
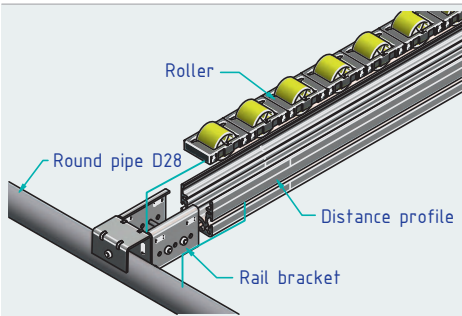
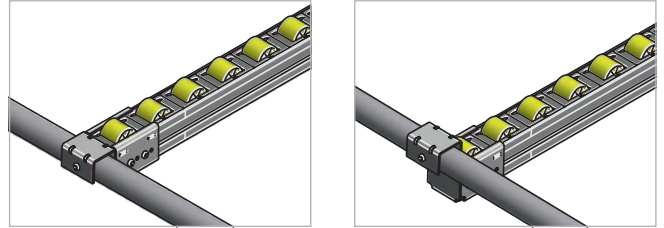


DESIGNATION	WEIGHT (g)	ARTICLE NUMBER
Return stop 50; ESD; galvanised steel	44.0	801330

Rail bracket

Use the rail brackets to mount rails on D28 and D28L round pipes

Material: Hook-in bracket & mounting kit: Galvanised steel



Straight rail bracket without stopper

Straight rail bracket with stopper

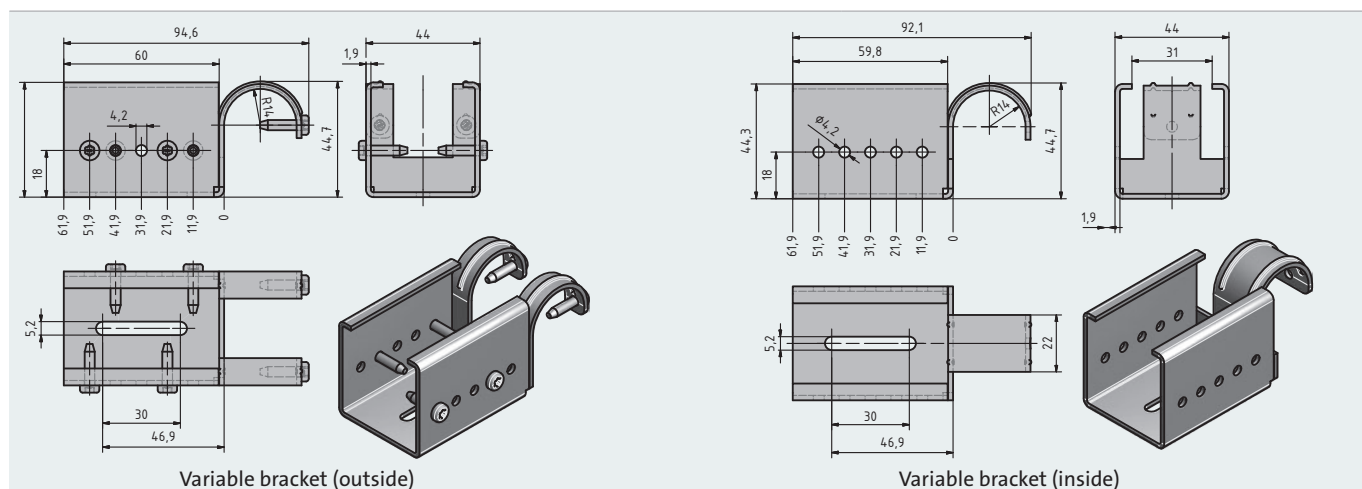
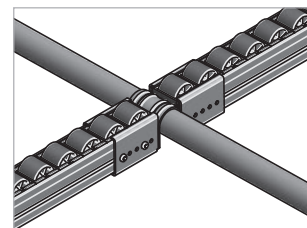
DESIGNATION	ARTICLE NUMBER
Straight rail bracket without stopper	800550
Straight rail bracket without stopper; 5 self-tapping screws (3.9 × 16) included	800552
Straight rail bracket with stopper	800551
Straight rail bracket with stopper; 5 self-tapping screws (3.9 × 16) included	800553

Variable bracket

Use to make roller rails with varying slopes.
Also mount roller rails on the D28 round pipe system.

Material: Galvanised steel

Mount: self-tapping screws (3.9 × 16, DIN7504) included



Variable bracket (outside)

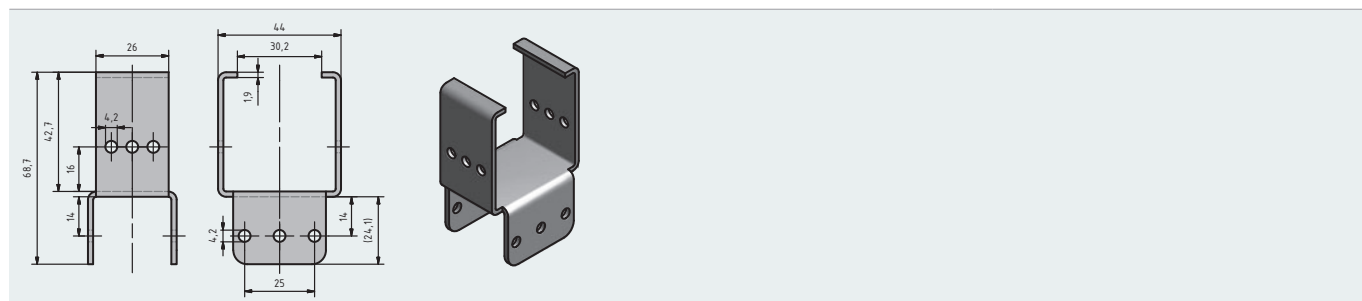
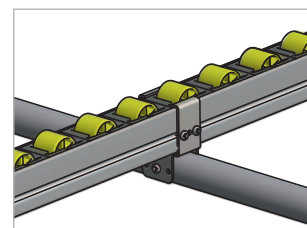
Variable bracket (inside)

DESIGNATION	ARTICLE NUMBER
Variable outside bracket, AL D28	800500
Variable outside bracket set, AL D28	800502
Variable inside bracket, AL D28	800501
Variable inside bracket set, AL D28	800503

AL D28 bracket mount

Fastens and mount a roller rail on round pipe system D28. The rail may also be screwed down to act as a supporting bar

Material: Galvanised steel



DESIGNATION	WEIGHT (g)	ARTICLE NUMBER
AL D28 bracket mount	76.0	801310
AL D28 bracket mount set; 6 self-tapping screws (3.9 × 16, DIN7504) included	88.0	801311

End plate

Secures transport holders on the roller rail.
May also be used as buffer stop holder.
Two lengths are available. Use the shorter version to cover the roller rail's face end and to prevent the transport holders from slipping out. A buffer stop may be affixed to the longer version.

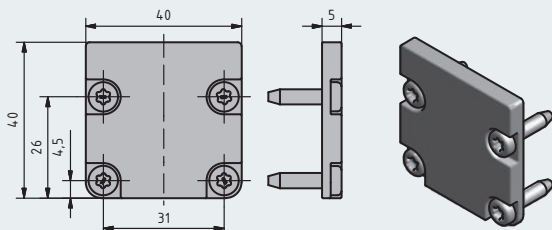
Material: End plate: galvanised steel

Mounting kit: Galvanised steel

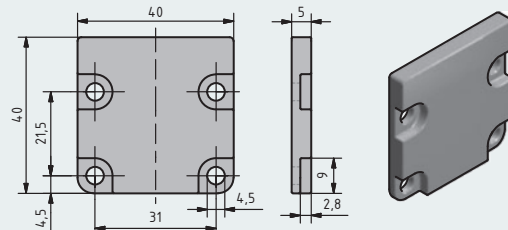
Mounting kit: 4 self-tapping screws (9 × 16, DIN7504-3) included



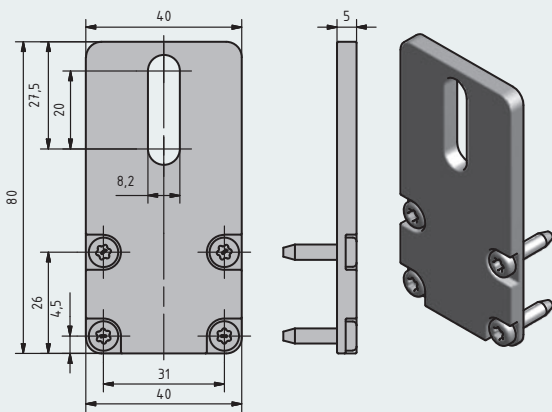
End plate with or without stopper
Self-tapping screw



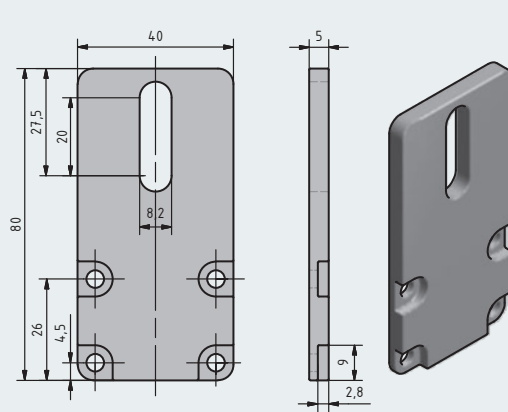
End plate 40 × 40 × 5 plus mounting kit



End plate 40 × 40 × 5



End plate 40 × 80 × 5 plus mounting kit



End plate 40 × 80 × 5

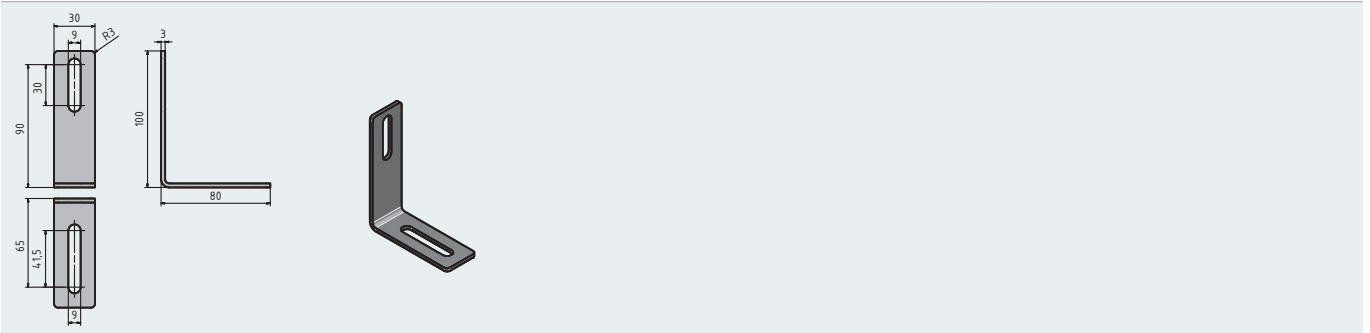
DESIGNATION	DIMENSIONS (mm)	WEIGHT (g)	ARTICLE NUMBER
End plate	40 × 40 × 5	55	801000
End plate plus mounting kit	40 × 40 × 5	63	801001
End plate	40 × 80 × 5	108	801002
End plate plus mounting kit	40 × 80 × 5	124	801003
Self-tapping screw (3.9 × 16, DIN7504), galvanised steel			801300

Side guides

Guide roller sections without separate flange.

Package includes: 4 brackets

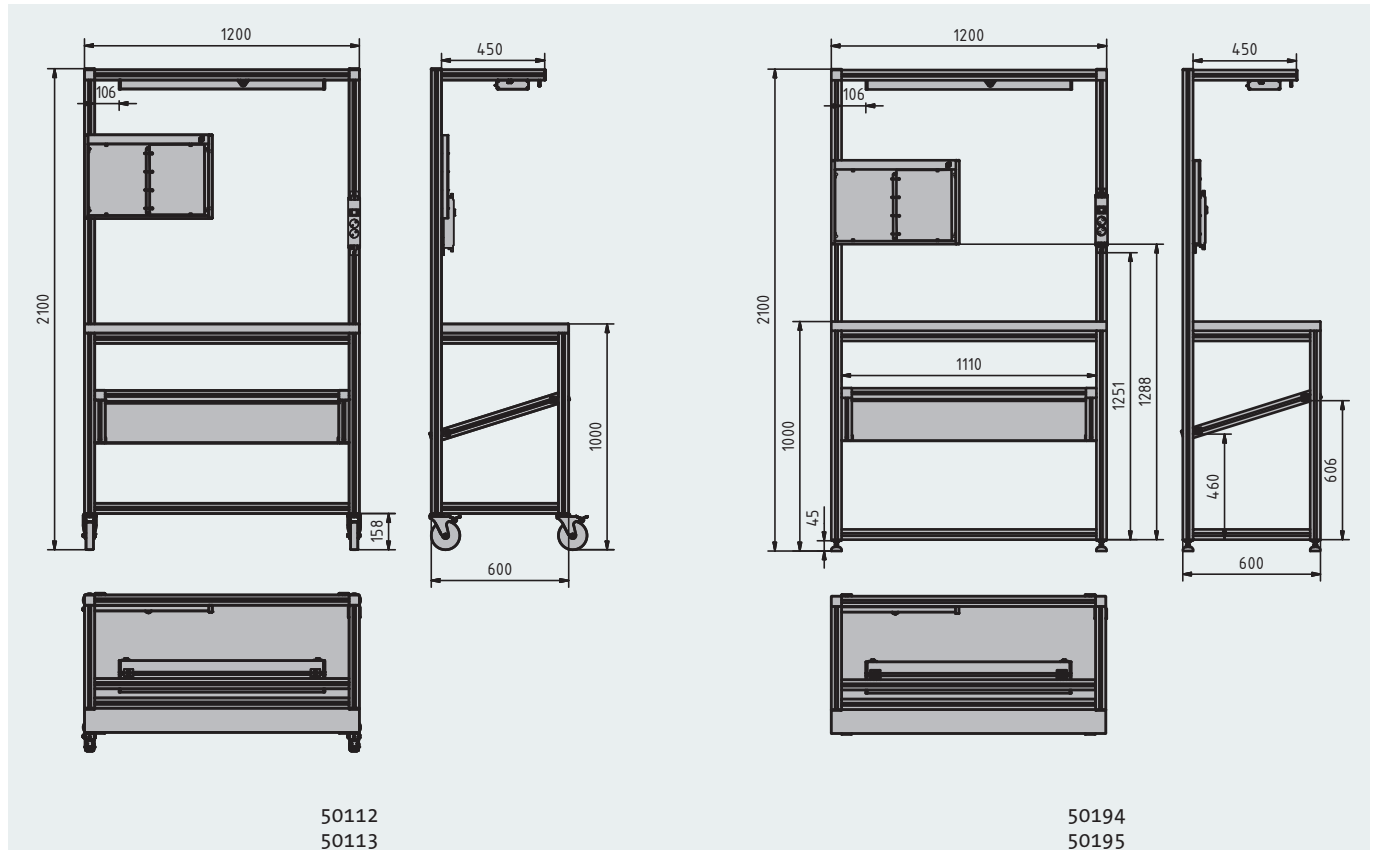
Mounting material: On-site



DESIGNATION	MATERIAL	ARTICLE NUMBER
Side guide bracket	Stainless steel, vibratory ground	402535126

Workplace

Our workbenches and feeder systems make your assembly processes a lot more efficient. Combine our standardised feeder systems with our workbenches to create a perfect material provisioning system. Our workbench is completely equipped with an info board, multiple sockets and LED lamps as well as return sections at the lower level:



50112
50113

50194
50195

DESIGNATION	B (mm)	T (mm)	WORKING HEIGHT (mm)	ARTICLE NUMBER
Standing height workbench I40, kit with steering castors	1200	600	1000	50112
Standing height workbench I40, steering castors installed	1200	600	1000	50113
Standing height workbench I40, kit with hinged feet	1200	600	1000	50194
Standing height workbench I40, hinged feet installed	1200	600	1000	50195

Ask for our customised workbenches.
Just send us your request.

Feeder unit

A combination of our mobile feeder units and our workplaces are a perfect addition to your assembly line.

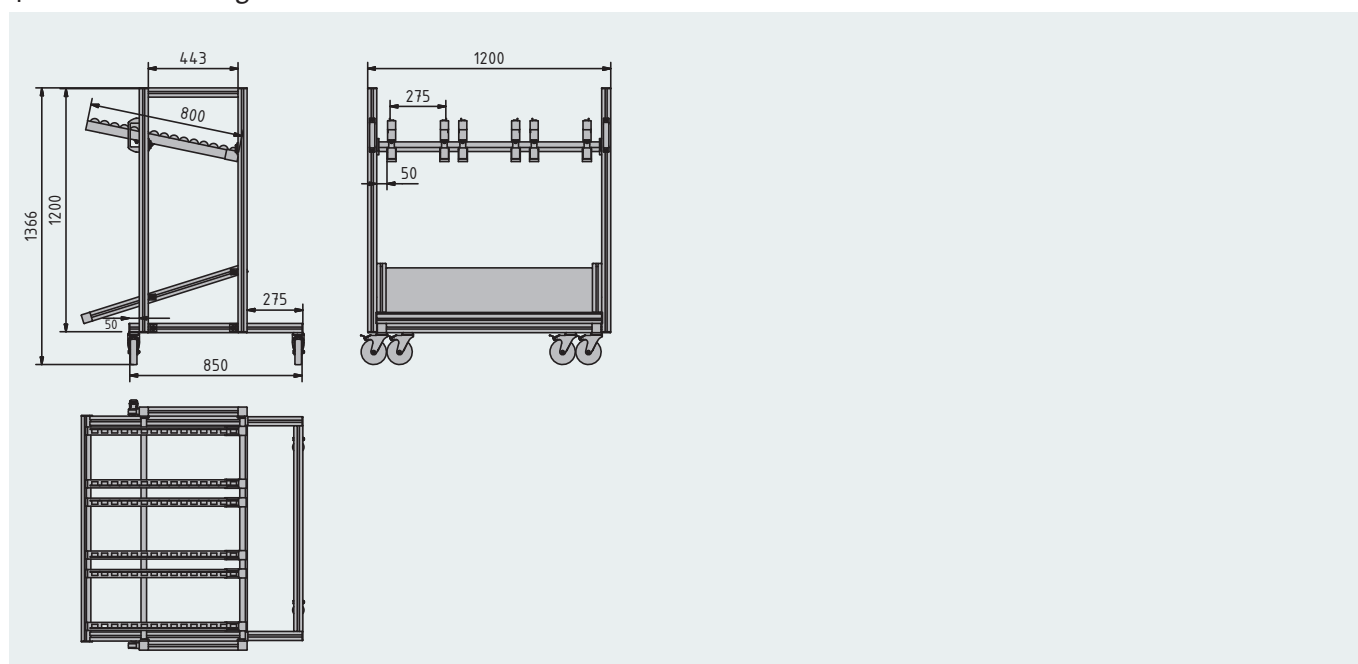
Mounting the feeder unit at the back of the workbench ensures that all materials are automatically fed down the feeder section such that they need not be placed manually. This will relieve your personnel and creates an efficient and ergonomic material provisioning solution.

Features:

3 feeder sections with flanged rollers (adjustable width)

1 return section of anodised aluminium

4 rollers with locking device



DESIGNATION	B (mm)	T (mm)	HEIGHT (mm)	ARTICLE NUMBER
Feeder unit kit	1200	850	1366	50122
Assembled feeder unit	1200	850	1366	50123

Ask for our customised feeder carts.
Just send us your request.

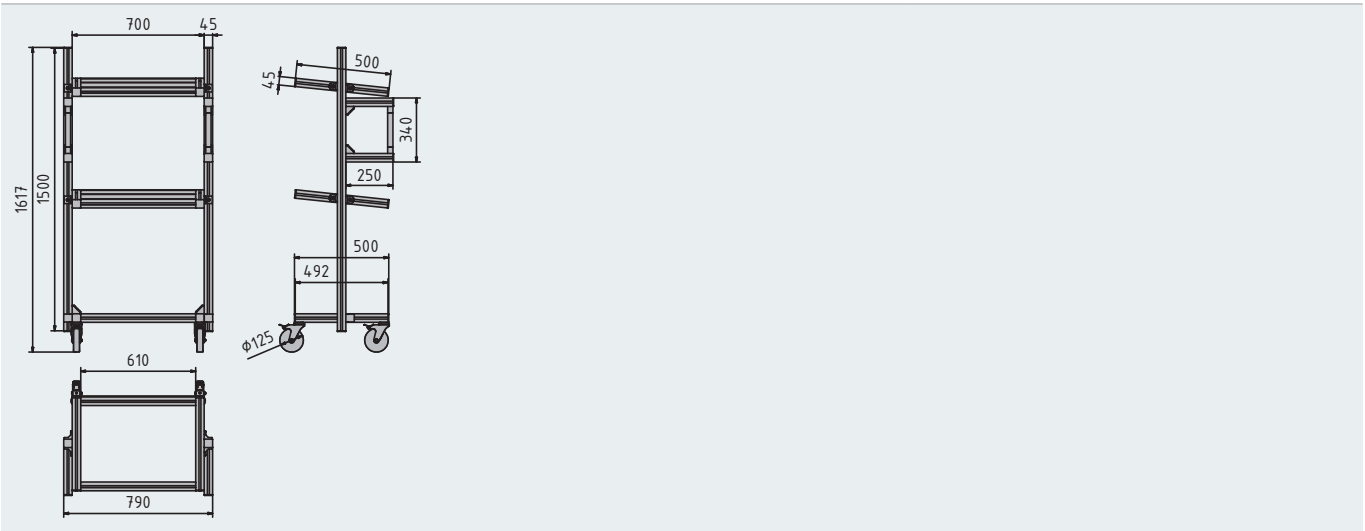
Material cart

Features:

3 shelves (including 2 with adjustable height and tilt)

Matching KLT container size: 400 × 600 mm

4 rollers with locking device



DESIGNATION	B (mm)	T (mm)	HEIGHT (mm)	ARTICLE NUMBER
Material cart kit	790	500	1617	50132
Assembled material cart	790	500	1617	50133

Ask for our customised material carts.
Just send us your request.

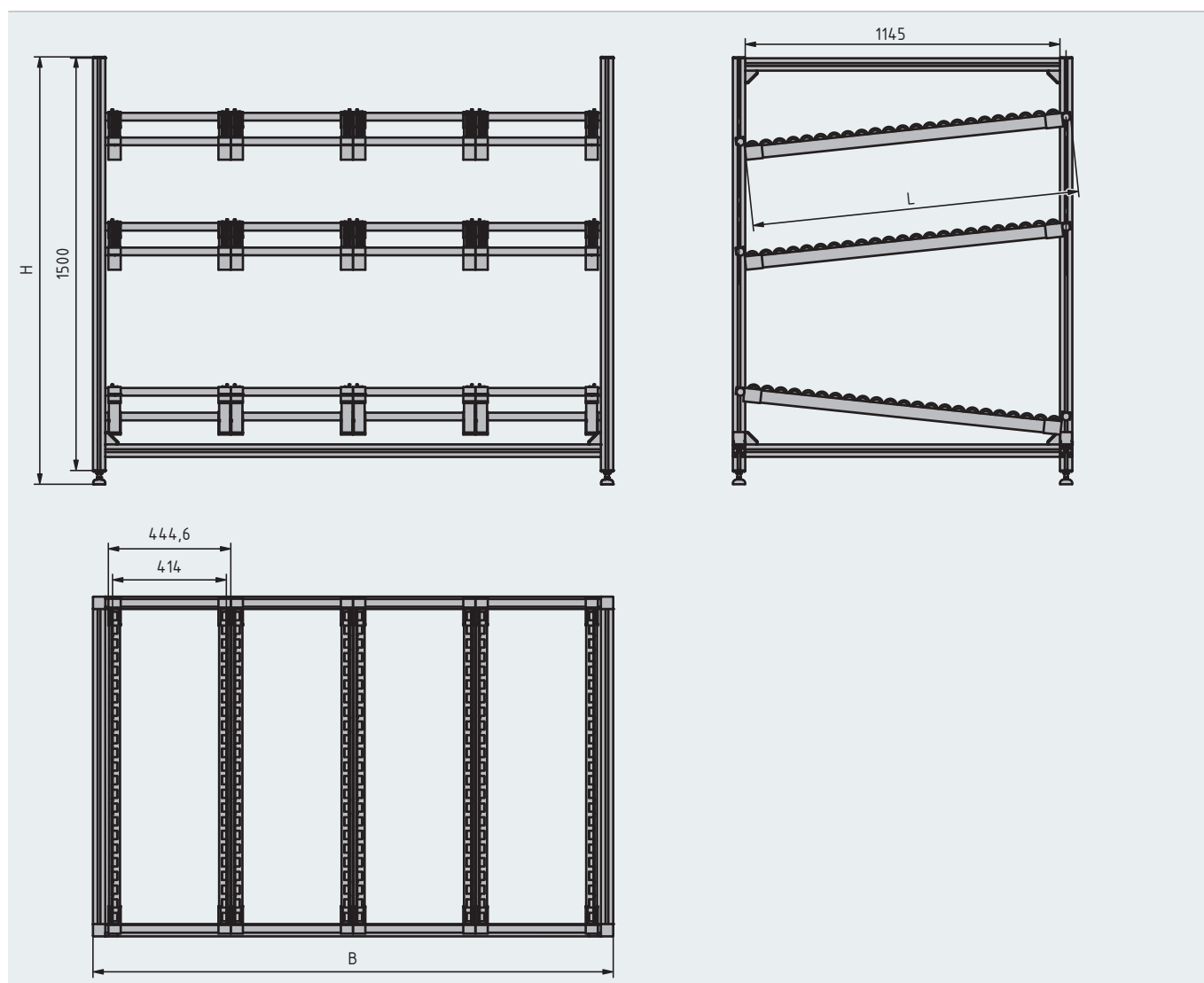
Lean shelf

Features:

Roller section with flange

8 feeder sections with stopper (adjustable width)

1 return section with stopper (adjustable width)



DESIGNATION	B (mm)	H (mm)	L (mm)	ARTICLE NUMBER
Lean shelf 1200 kit	1890	1554	1190	50162
Assembled lean shelf 1200	1890	1554	1190	50163
Lean shelf 1800 kit	1890	1554	1790	50166
Assembled lean shelf 1800	1890	1554	1790	50167
Lean shelf 2400 kit	1890	1554	2390	50170
Assembled lean shelf 2400	1890	1554	2390	50171

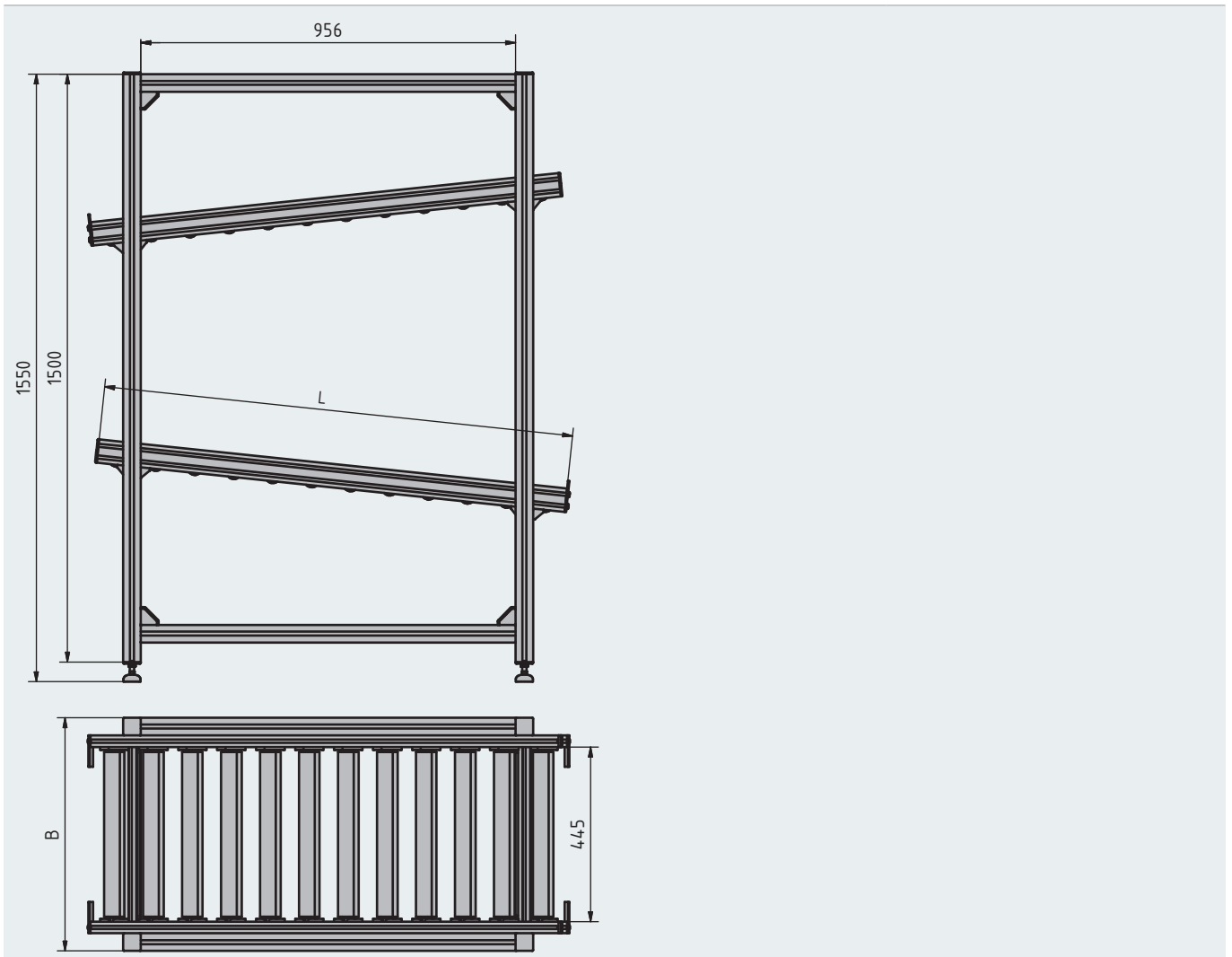
FIFO shelf

Features:

High-load support rollers of galvanised steel

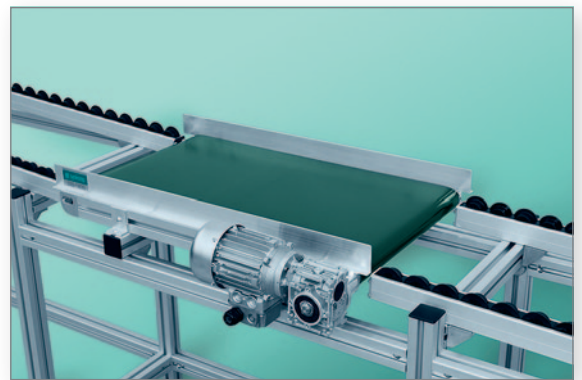
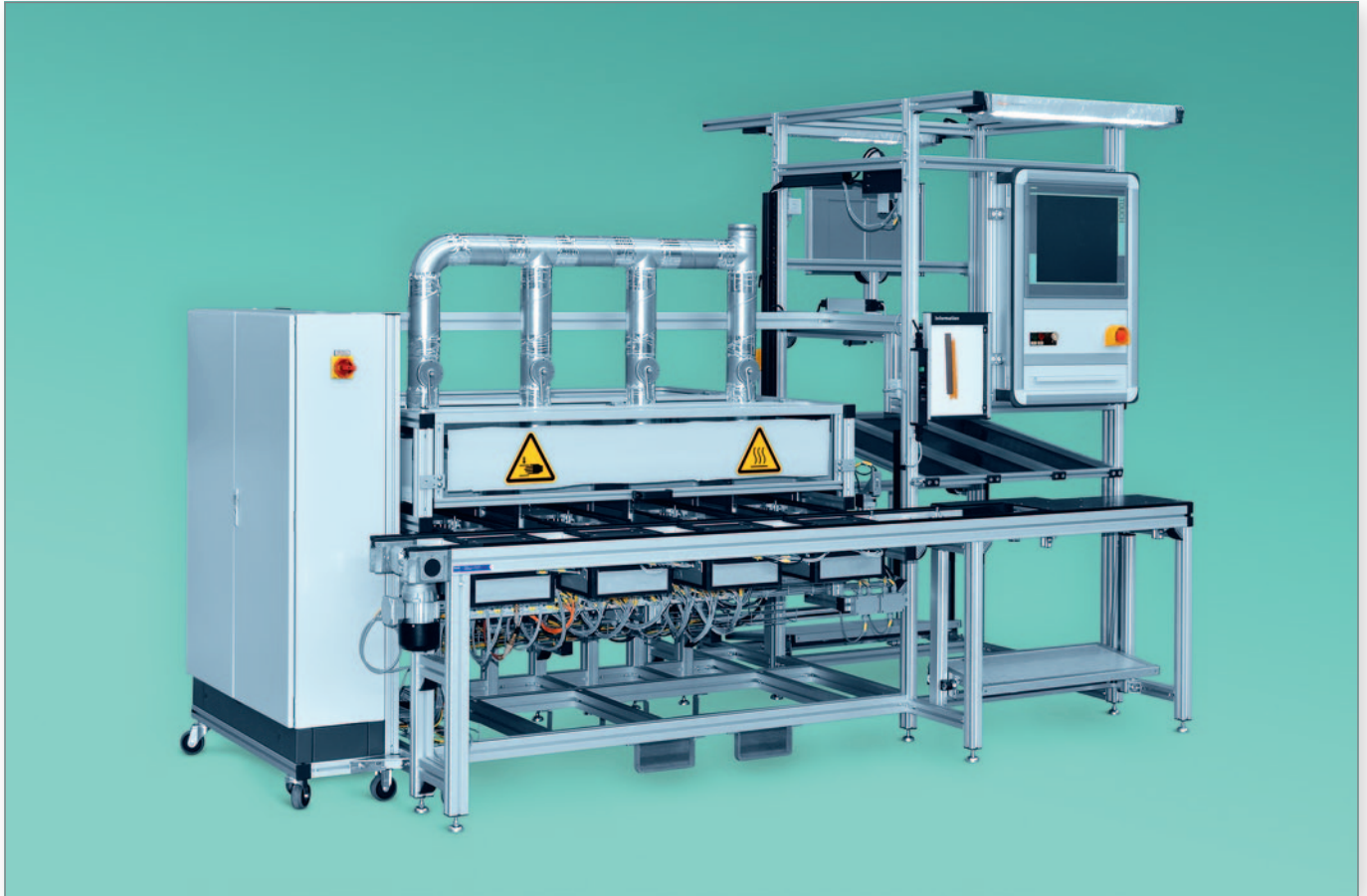
1 feeder section with stopper

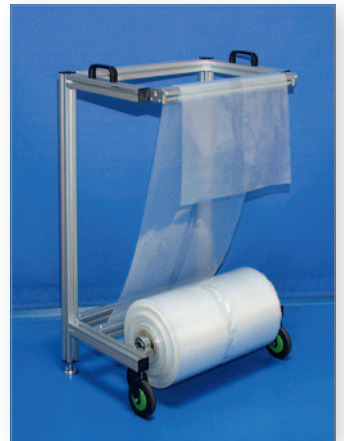
1 return section with stopper



DESIGNATION	B (mm)	L (mm)	HEIGHT (mm)	ARTICLE NUMBER
FIFO shelf 1200 kit	595	1200	1550	50142
Assembled FIFO shelf 1200	595	1200	1550	50143
FIFO shelf 1800 kit	595	1800	1550	50146
Assembled FIFO shelf 1800	595	1800	1550	50147
FIFO shelf 2400 kit	595	2400	1550	50150
Assembled FIFO shelf 2400	595	2400	1550	50151

PRACTICAL EXAMPLES





APPENDIX

Chemical resistance of plastic materials

CHEMICAL	CONCENTRATION [%]	AT +°C	POLYAMIDE PA	POLYPROPYLENE PP	THERMOPLASTIC ELASTOMER TPE
Exhaust fumes containing carbon dioxide	minor	20	+	+	+
Exhaust fumes containing sulphur dioxide	minor	20	o	+	+
Acetaldehyde	40	20	o	+	-
Acetone	100	20	+	+	+
Acrylic acid	100	30	+	-	
Alum, aqueous	diluted	20	+	+	+
Allyl alcohol	96	20	-	o	+
Aluminium chloride, aqueous	diluted	40	+	+	+
Aluminium sulphate, aqueous	diluted	40	+	+	+
Formic acid, aqueous	10	20	o	+	-
Ammonia, aqueous	saturated	20	o	+	+
Ammonium chloride, aqueous	saturated	20	+	+	+
Ammonium nitrate, aqueous	saturated	20	+	+	+
Ammonium sulphate, aqueous	saturated	40	+	+	+
Pure aniline	100	20	o	+	+
Aniline hydrochloride, aqueous	saturated	20	-	+	o
Benzaldehyde, aqueous	saturated	20	o	+	-
Petrol	100	20	+	o	o
Benzoic acid, aqueous		20	o	+	o
Benzene	100	20	o	-	-
Beer		23	+	+	+
Bleach	12.5 Cl	20	-	+	
Cutting oil			+		
Borax, aqueous	diluted	40	+	+	+
Boric acid, aqueous	diluted	20	o	+	+
Liquid bromine	100	20	-	-	-
Hydrobromic acid	40	40	-	+	-
Butandiol	pure	20	+	+	+
Butanol	pure	20	+	+	o
Butyl acetate	100	20	+	-	o
Calcium chloride, aqueous	saturated	40	+	+	+
Chlorine		20	-	-	-
Chrome alum, aqueous	saturated	40	o	+	20 °C+
Cyclohexanol	pure	20	+	+	-
Diesel fuel		85	+	20 °C-	-
Distilled water		23	+	+	+
Iron chloride	saturated	20	o	+	+
Glacial acetic acid	100	20	-	o	-
Acetic acid	10	20	-	+	+
Ethyl alcohol	40	20	+	+	+
Ethylene chloride	100	20	o	o	-
Ethylene oxide	100	20	o	o	-
Ethyl ether	100	20	+	-	-
Potassium ferrocyanide, aqueous	saturated	60	+	+	+
Fluor		40	-	-	-
Formaldehyde, aqueous	30	40	o	+	+
Fruit juice		23	+	+	+
Vegetable juice		23	+	+	
Glucose, aqueous		50	+	+	+
Urea, aqueous	up to 10	40	+	+	+
Hardly inflammable hydraulic fluid		80	+	+	-
Hydraulic oils H and HL (DIN 51524)		100	+	+	-
Hydroxyl ammonium sulphate	up to 12	30		+	+
Caustic potash, aqueous	50	20	+ / 50 °C-	+	+
Potassium bromide, aqueous		20	o	+	+

CHEMICAL	CONCENTRATION [%]	AT +°C	POLYAMIDE PA	POLYPROPYLENE PP	THERMOPLASTIC ELASTOMER TPE
Potassium chloride, aqueous	10	20	+	+	+
Potassium dichromate, aqueous	40	20	-	+	+
Potassium nitrate, aqueous		20	+	+	+
Potassium permanganate, aqueous		20	-	+	+
Hexafluorosilic acid, aqueous	up to 32	20	-	+	-
Dry carbon dioxide	100	60	+	+	o
Carbon dioxide	100	60	+	+	+
Cresol, aqueous	up to 90	20	-	o	-
Coolants (DIN 53521)		120	o		
Copper chloride, aqueous		20	-	+	+
Copper sulphate, aqueous		60	+	+	+
Magnesium carbonate	saturated	100	+	+	+
Magnesium chloride, aqueous		20	+	+	+
Seawater			+	+	+
Methyl alcohol	100	20	o	+	+
Methylene chloride	100	20	o	o	-
Milk		23	+	+	o
Lactic acid, aqueous	up to 85	20	+	+	-
Mineral oils			+	+	-
Sodium chlorate, aqueous		20	o	+	+
Caustic soda, aqueous	up to 60	20	+	+	+
Nickel chloride, aqueous	saturated	20	10% o	+	+
Nickel sulphate, aqueous	saturated	20	10% o	+	+
Oils and greases, vegetable		20	+	o	-
Oleic acid		20	+	+ /50°C o	-
Oxalic acid, aqueous		20	-	+	+
Ozone	pure		-	o	+
Petroleum	pure	20	+	+ /50°C o	-
Phosgene, gaseous	100	20	+	-	-
Phosphorous pentoxide	pure	20	-	+	o
Phosphoric acid, aqueous	up to 30	20	-	+	+
Mercury	pure	20	+	+	+
Nitric acid, aqueous	50	20	-	o	-
Hydrochloric acid, aqueous	35	20	-	+	o
Greases, ester oil-based		110	o		
Greases, polyphenyl ester-based		110	+		
Greases, silicone oil-based		110	+	+	+
Carbon disulphide	100	20	o	-	-
Sodium disulphide, aqueous		20	+	+	+
Sulphuric acid, aqueous	50	20	-	+	
Soapsuds, aqueous		20	-	+	+
Cooking oils		23	+	+	
Carbon tetrachloride	100	20	-	-	
Toluene	100	20	+	-	-
Trichloroethylene	100	20	o	-	-
Vinyl acetate	100	20	+	+ /50°C-	+
Hydrogen	100	20	+	+	+
Wine		23	+	+	+
Whisky		23	+	+	+
Xylene	100	20	+	-	-
Zinc chloride, aqueous		60	-	+	+
Zinc sulphate, aqueous		60	-	+	+
Tin chloride, aqueous		40	-	+	+
Citric acid	up to 10	40	+	+	+

+ good resistance

o medium resistance

- insufficient resistant (not recommended)

Thermal stability of PA6

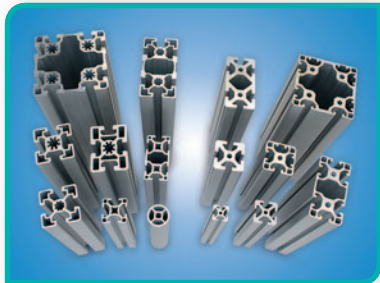
PA6, FIBREGLASS REINFORCED	MAX. SERVICE TEMPERATURE (°C)	MIN. SERVICE TEMPERATURE (°C)
some hours	210	
permanent	110	-30

Electrostatic discharge capability

Shunt resistance $< 10^9 \Omega$

All details are non-guaranteed recommendations. They shall be backed up by trials for every case of application. They do not give rise to any legal claims.

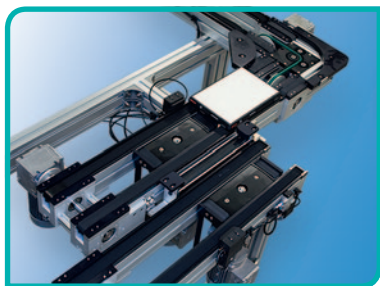
PRODUCT RANGE AND PRODUCT MIX



Aluminium profile kit

Our B-45 (slots 6,8,10 mm) and I-40 (slots 5,6,8 mm) profile series have a wide range of interesting alternatives to choose from.

All products are fully compatible and can be used and combined with Bosch or Item systems. Our aluminium profiles are sold in complete packaging units, as bars or cut to length with or without any of the different machining options.



Transfer systems

Let you respond quickly and economically to changes in the production process.

Upon request, we will supply fully assembled transfer systems with or without control unit.

Also ask for our modified solutions.

Servicing is part of our standard portfolio.



Damping technology

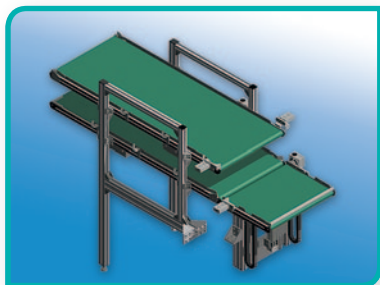
syskomp GmbH is a partner of Bavarian Asutec GmbH. It is an international player who supplies its customers with excellent products for ground-breaking solutions for industrial production processes. Its sophisticated components allow customers to increase the efficiency of production.



Lean roller sections

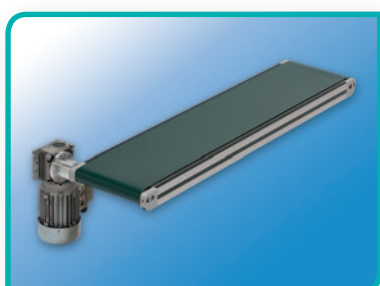
Our state-of-the-art and modular shelf or conveyor systems is an easy and cost-efficient means of reflecting your production process by manual chaining.

Rollers with or without flange are available in various colours and intended to indicate your stock at hand (Kanban) or the "ok" or "not ok" parts. Quiet rollers result in quiet production.



Special solutions

Combine our kit system with many different special designs (turned and milled parts, sheet metal constructions etc.) to see how your personal product dreams come true. Please ask for our on-site support. We will be at your side through all phases of your project from rack planning and set-up to installing your system.



Belt conveyors

Collect, clock, transport, handle – conveyor systems provide the perfect solution for every application.

Try our belt conveyor modules to experience how easy chaining can be at varying widths and lengths. The simple method of installation lets you use fully assembled conveyor units or components.



Lifting units

The ideal helper for your production

The electrical KLT box lifter is designed for lifting and lowering small load carriers (KLT) or similar containers to an ergonomically perfect position.



Flow of materials

Transport and handling made easy!

Check our choice of components and complete solutions to easily solve your transport and handling problems: floor rails, floor rollers, FiFo floor rails, FiFo station systems, parking bays, lifters and many more.



Orgatex

We are a partner of ORGATEX GmbH & Co. KG. ORGATEX designs and manufactures high-quality products aimed at improving production and other processes of industrial and medium-sized enterprises. Be it container or shelf labelling systems, floor marks, material pick-up systems, Kanban products or everything you need for your flow of materials: you will find the right product for your company.



Industrial tools

Designed with tough permanent industrial and craft use in mind.

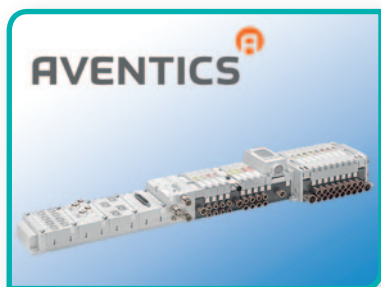
Be it high-frequency, power or compressed air operated tools – our experts will help you choose the perfect model for your very application.



ACE shock absorber

Longer life and minimised downtime of your machinery.

Check our portfolio for the sophisticated range of industrial ACE shock absorbers and the extensive accessories.



Pneumatics

Moving, grabbing, holding – everything is easy with this variable assortment.

Our extensive range of pneumatic products makes 'single source' a matter of fact. Apart from the large choice of compact cylinders, the new valve support systems are certainly worth a try.



emico – The world of plastic parts

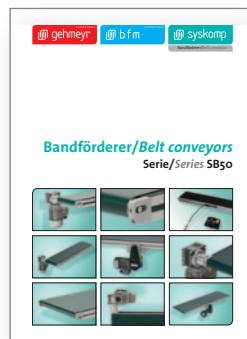


We can deliver more than 20,000 different standard plastic part variants from stock: caps, washers, friction bearings, screws and nuts, cable accessories, controls and handles, feet, buffers and many more.

Visit our virtual shop at: www.emico.de

verkauf@emico.de · Tel.: +49 9621 67545-0 · Fax: +49 9621 67545-99

ORDERING CATALOGUES



Belt conveyors
SB50 series



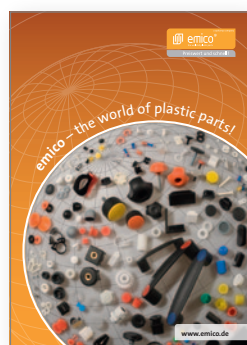
Orgatex product catalogue



System kit
Profile series B-45



Industrial tools & accessories



emico – the world of plastic
parts



KLT lifters
Ergonomic material
provisioning

Download

All catalogues can be downloaded for free at:
www.syskomp-group.com

Postage

There is of course the option of ordering a printed copy of our catalogues. Simply send a short e-mail with your contact details, add »*catalogue order*« as Re: and specify the catalogue you would like to have. Send you e-mail to the correct address: sales@syskomp.de · info@gehmeyr.de · bfm@bfm.at. The catalogues you ordered will be sent to you immediately.

Thank you for being interested in our products.

CERTIFICATIONS



We do not warrant that all details are correct. They are solely intended to help you find the information you need but do not claim to be correct or complete. Modifications are reserved since we are permanently extending our product portfolio.

All details are for information only and without responsibility. They do not justify any legal claims.

TABLE OF CONTENTS

► Contents A|2

► Technical data/profile machining 1|1

Tolerances.	1 2
Bending/calculation.	1 3
Straightness tolerance	1 4
Torsional tolerance.	1 4
Load capacity of profile slot	1 4
Machining of universal butt connectors and universal connectors – slot 5 / slot 6 / slot 8	1 5
Machining of screw connectors – slot 5 / slot 6 / slot 8	1 5
Machining of centre bolts – slot 8	1 6
Machining of ZIG-A mega connectors – slot 8.	1 6
Machining of corner angles	1 6
Machining of bolts.	1 7
Machining of bolts 18:	1 7
D14.2 T19:	1 7
Machining of mitre connector set	1 7
Machining for use of central clamps.	1 8
Machining of clamping profile connector set 8 32 × 18	1 8
Ordering machined profiles	1 8

► Profiles 2|1

Aluminium profile 20 × 20	2 2
Aluminium profile 20 × 20 1N.	2 2
Aluminium profile 20 × 20 2N90	2 2
Aluminium profile R20 90°.	2 2
Aluminium profile 40 × 20	2 3
Aluminium profile 40 × 20 2N.	2 3
Aluminium profile 40 × 40	2 3
Aluminium profile 60 × 20	2 3
Aluminium profile 20 × 10	2 4
Aluminium profile 30 × 30L	2 5
Aluminium profile 30 × 30	2 5
Aluminium profile 30 × 30L 1N	2 5
Aluminium profile 30 × 30L 2N180	2 6
Aluminium profile 30 × 30L 2N90	2 6
Aluminium profile 30 × 30L 45°.	2 6
Aluminium profile R30L 90°.	2 6
Aluminium profile 60 × 30L	2 7
Aluminium profile 60 × 30	2 7
Aluminium profile 60 × 60L	2 7
Aluminium profile 60 × 60	2 7
Aluminium profile 120 × 30L	2 8
Aluminium profile 120 × 30	2 8
Aluminium profile 120 × 60L	2 9
Aluminium profile 120 × 60	2 9
Aluminium profile 40 × 40E	2 10
Aluminium profile 40 × 40E 2N180	2 10
Aluminium profile 40 × 40L	2 10
Aluminium profile 40 × 40	2 11
Aluminium profile 40 × 40L 1N	2 11
Aluminium profile 40 × 40L 2N90	2 11
Aluminium profile 40 × 40L 2N180	2 11
Aluminium profile 40 × 40L 3N	2 12
Aluminium profile 40 × 40E 45°.	2 12
Aluminium profile 40 × 40L 45°.	2 12
Aluminium profile 40 × 40 45°.	2 12
Aluminium profile R40L 90°.	2 13
Aluminium profile R40/80-30°.	2 13
Aluminium profile R40/80-45°.	2 13
Aluminium profile R40/80-60°.	2 14
Aluminium profile R40/80-90°.	2 14
Aluminium profile 80 × 40E	2 14
Aluminium profile 80 × 40E 4N180	2 15
Aluminium profile 80 × 40L	2 15

Aluminium profile 80 × 40	2 15
Aluminium profile 80 × 40L 2N	2 16
Aluminium profile 80 × 40E 3N90	2 16
Aluminium profile 80 × 40E 2N180	2 16
Aluminium profile 80 × 40L 1N	2 16
Aluminium profile 40 × 80 × 80L	2 17
Aluminium profile 80 × 80E	2 17
Aluminium profile 80 × 80L 4N90	2 18
Aluminium profile 80 × 80L	2 18
Aluminium profile 80 × 80	2 19
Aluminium profile 80 × 80L 2N	2 19
Aluminium profile 120 × 40L	2 20
Aluminium profile 120 × 40	2 20
Aluminium profile 120 × 80L	2 21
Aluminium profile 120 × 80	2 22
Aluminium profile 160 × 40L	2 22
Aluminium profile 160 × 40L 4N	2 23
Aluminium profile 160 × 40	2 23
Aluminium profile 160 × 80L	2 24
Aluminium profile 160 × 80	2 24
Aluminium profile 40 × 16E	2 25
Aluminium profile 40 × 16	2 25
Aluminium profile 40 × 32L	2 25
Aluminium profile 16 × 160	2 26
Aluminium profile 80 × 16E	2 27
Aluminium profile 80 × 16	2 27

► Profile accessories. 3|1

Cover profiles	3 2
Cover and lining profiles	3 3
Lining profiles 8 4–6 mm	3 3
NBR cover profiles	3 4
R cover profiles	3 4
Profiles and sectional strip.	3 5
Aluminium profile caps.	3 6
Slot cap 8, zinc	3 7
Radius seals	3 8

► Fasteners 4|1

Rhomboid nut, slot 8	4 2
Hammer head nut	4 2
Pivoting slot nut, 8.0 × 4.2 mm, slot 5, with ball spring	4 2
Pivoting slot nut, 7.7 × 4.0 mm, slot 5, with guide step and ball spring.	4 3
Pivoting double slot nut, 10.5 mm, slot 6.	4 3
Pivoting slot nut, 10.5 × 6.9 mm, slot 6, with ball spring and guide step.	4 4
Pivoting slot nut, 10.5 × 6.3 mm, slot 6, with ball spring	4 4
Pivoting slot nut, 13.7 × 7.0 mm, slot 8, with ball spring	4 5
Pivoting slot nut, 13.5 × 7.2 mm, slot 8, with guide step and ball spring	4 5
Pivoting slot nut, 13.5 × 7.2 mm, slot 8, with ball spring, guide step and grub screw	4 6
Heavy pivoting slot nut, 18.0 × 6.8 mm, slot 8, with ball spring	4 6
Pivoting double slot nut, 13.7 × 7.0 mm, slot 8	4 7
Pivoting double slot nut, 20.3 × 11.2 mm, slot 12	4 7
Pin-fitted M6 slot nut	4 7
Hammer head screw, slot 8	4 8
Union nut	4 8
Round head screws, ISO 7380, strength category 10.9	4 9
Fillister head screws with flange	4 10
Hexagon socket countersunk screws DIN 7991 8.8.	4 10
Hexagon socket cheese head screw 8.8 DIN ISO 4762.	4 11
Screw connectors	4 14
Machining of screw connectors – slot 5 / slot 6 / slot 8.	4 14

Set of standard connectors 8 K 4|15

Automatic connectors. 4|16

Cap for automatic connector 4|16

Automatic combination connector. 4|17

Automatic butt connector 4|18

ZIG & ZIG-A mega connectors. 4|19

Machining of ZIG-A mega connectors – slot 8. 4|19

Slot 8 anti-twist central clamp 4|19

Machining for use of central clamps. 4|19

Bolt connectors 4|20

Machining of bolt connector 40-80 4|20

Machining of bolt connector 18: D14.2 T19:. 4|20

Corner bracket EV 4|20

Universal butt connector. 4|21

Machining of universal butt connectors and universal connectors – slot 5 / slot 6 / slot 8 4|21

Set of pneumatic universal connectors 4|22

Universal connectors 4|22

Machining of universal butt connectors and universal connectors – slot 5 / slot 6 / slot 8 4|23

Milling connector for slot 8 profile 40 4|23

Bracket 20 × 20 4|24

Bracket 40 × 40, slot 5. 4|24

Bracket 30 × 30 4|25

Bracket 30 × 60 4|25

Bracket 40 × 40, slot 8. 4|26

Bracket 40 × 80 4|27

Bracket 60 × 60 4|28

Bracket 80 × 80 4|28

Bracket 160 × 80 4|29

Bracket 160 × 160 4|29

Angle bracket V40 4|29

Corner angle. 4|30

Corner angle 20. 4|30

Corner angle 30. 4|31

Corner angle 40. 4|32

Machining of corner angles 4|32

Articulated brackets 4|33

Clamping bracket 4|34

Slot 8 mitre connectors 4|34

Mitre connector set 4|35

Machining of mitre connector set

D14.2T26.7+9 4|35

Angle joint 4|36

Angle element 4|37

Steel angle. 4|38

Mounting angle 4|38

Tie plate 4|39

Tie plate loads 4|39

Cube connector. 4|40

Cube connector 20. 4|40

Cube connector 20 loads 4|40

Cube connector 40. 4|41

Cube connector 40 loads 4|41

Profile connector. 4|41

T connector 4|42

Height-adjustable floor angle. 4|42

Floor angle w/o height adjustment 4|43

Floor dowel 4|43

► Joints 5|1

Joint. 5|2

Joint 20. 5|2

Joint 30. 5|2

Joint 40. 5|3

Joint 40 × 80. 5|3

Joint loads 5|3

Support arm joint 5|4

Support arm joint loads 5|4

Angle locking bracket 8 5|5

► Door fittings 6|1

Mini plastic hinge 20; slot 5 6|2

Plastic combination hinge, no unhinging. 6|2

Plastic combination hinge, unhinging. 6|3

Plastic hinge with clamping lever 6|3

Combination hinge with clamping lever 6|4

Plastic hinge 32 × 60, unhinging, slot 8 6|4

Plastic double hinge 6|5

Combination hinge of die-cast aluminium. 6|6

Hinge system with catch 6|6

Hinge system with adjustable friction 6|7

Inside hinge element 6|8

Light-duty metal hinge – no unhinging. 6|9

Light-duty aluminium hinge 40. 6|9

Die-cast zinc hinge with oblong holes – no unhinging 6|10

Bow handle 6|10

Handle 6|11

Handle AL 6|11

Light-duty handle AL 6|12

Machine handle 6|12

Handle system 6|12

Natural colour handle bar profile. 6|13

Door lock 6|13

Compact door lock 6|14

Compact double door lock 6|14

Door lock PROe 6|15

Door lock PROe 6|16

Emergency door lock opener 6|17

Bar. 6|17

Ball catch. 6|18

Ball catch mounting bracket. 6|18

Magnetic catch 6|19

Slot 8 guide channel set for sliding doors. 6|19

Guide channel set for lift gates 6|20

Guide channel set for lift gates and sliding doors 6|20

Coupling set 8. 6|21

Door stop 6|21

Magnetic door stop 6|22

Door latch 6|22

► Surface elements and linings 7|1

Cover and lining profile 7|2

Plate gasket 7|3

Plate bordering strips 7|3

Universal pad 7|4

Universal pad 26 CS 7|5

Slot 8 universal pad ZN40 7|5

Mounting pad. 7|6

Clamping pad. 7|6

Quick pad with slot 8 locking pin. 7|7

Circlip 7|7

Panel bracket 7|8

Black strip brush 7|8

Fillet strip 7|9

Clamping profile 8, 32 × 18 7|9

Aluminium profile 32 × 18. 7|9

Cap 7|9

Slot 8 clamping spring 7|10

Coupling set for clamping profile 8, 32 × 18 7|10

Machining of clamping profile coupling set 8, 32 × 18 7|10

Earthing strap. 7|11

Wave grid 7|11

Spot-welded grid 7|11

Polycarbonate. 7|12

Rubber mat/push floor mat 7|12

► Feet and wheels. 8|1

Threaded rods for hinged knuckle foot, ball 15 8|2

Ball head 15 with female thread 8|2

Base for hinged knuckle feet, ball 15 8|3

Trapezoid base for hinged knuckle feet, ball 15 8|4

Square base for hinged knuckle feet, ball 15. 8|4

Base 40 with arm, ball 15	8 5
Threaded rod for steady knuckle feet for levelling	8 5
Base for steady knuckle feet	8 6
Trapezoid base for steady knuckle feet	8 6
Floor mount for trapezoid base	8 7
Absorber plate for hinged knuckle feet	8 7
Floor mounting plate	8 8
Floor plates	8 8
Base plate	8 9
Adapter plate for steering and fixed castors	8 10
Steering castor	8 11
Steering castor mounting kit	8 11
Heavy-duty castor	8 12
Castor with fitted flange	8 13
Plastic double castor	8 14
Adjustable levelling foot	8 14
Levelling castor	8 15

► **Castors and glides** **9|1**

Linear slide carriage	9 2
Slot slide 8	9 4
Snap hook & sliding tool hanger	9 5
Slide rail	9 5
Runner	9 6
Clip-Fix roller element	9 7
Screw-type roller element	9 7
Support rollers	9 8
Roller support	9 8

► **Safeguards** **10|1**

Safety fence	10 2
Safety frame	10 4
Horizontally divided safety frame	10 5
Vertically divided safety frame	10 6
System pillar 40 × 40 L	10 7
System pillar 40 × 40 × 80 L	10 8
System pillar 40 × 80 L	10 9
System pillar 80 × 80 L	10 10
Mounting kit	10 11
Mounting bracket – set of securing hardware	10 12
Base plate	10 13
Washer	10 13
Safety grid profile cap	10 14
System door	10 14
Door stop	10 15
Door profile	10 15
Protection and partition wall elements N 8	10 16
Clamping profile 40 × 40	10 16
Clamping profile 40 × 40 180	10 17
Clamping profile 40 × 40	10 17
Clamping profile 8 40 × 40E	10 17
Slot 8 clamping profile connector 40 × 40E	10 18
Suspension bracket for clamping profile connector 40	10 18
Cross connector for clamping profile 40 × 40 N8	10 19
Suspension safety bracket 8/8	10 19
Suspension bracket 6–8	10 20
Suspension bracket 8	10 20

► **Accessories** **11|1**

Limit switch mount	11 2
Buffer stop	
Parabolic springs	11 3
Buffer stop	11 3
Earth connection	11 4
Equipotential bonding	11 4
Cable tie mount	11 5
Universal cable tie mount – slot 5–8	11 5
Cross cable tie mount – slot 5 & 8	11 5
Clip cable tie – slot 8	11 6
Clip cable tie with hammer	11 6
Cable duct & cover	11 7
Cable duct cap	11 8

Feed-through	11 8
Carrier profile	11 9
Wall profile	11 9
D14 shaft clamping profile	11 10
D14 runner	11 10
D14 bearing units	11 11
D14 wiping and lubrication system	11 11
Pneumatic terminal board	11 12

► **Tools** **12|1**

Drilling jig – slot 5 mm	12 2
Drilling jig – slot 6 mm	12 2
Drilling jig – slot 8 mm	12 2
Drilling jig – slot 8 mm	12 3
Drilling jig for mitre connectors	12 3
Drilling unit slot 8	12 3
Cylindrical shank	12 4
Screwdriver bit	12 4
Safety Allen wrench bit AF1.5-6	12 4
General-purpose shears	12 4
Screwdriver	12 5
T handle screwdriver	12 5

► **Workplace accessories** **13|1**

Spring balancer	13 2
Lifting units for height-adjustable workplaces	13 3
LED system lamp	13 6
LED system lamp	13 7
System lamp	13 9
Multiple socket, power strip unit	13 11
Bracket set	13 12
Mains cable	13 12
Drop cable	13 12
GST plug, GST socket	13 13
Info board	13 13
A4 sheet protectors for info boards	13 14
Display pocket	13 14
Height-adjustable 4-axle display support	13 14
Height-adjustable 5-axle display support	13 15
Display support	13 15
Display support adapter panel	13 16
Height-adjustable footrest	13 16
Sliding keyboard shelf	13 17
PC mount	13 17
Cup holder	13 18
Label clips	13 18
Bottle holder	13 18
Chest of drawers	13 19
Desk chair, clean room basic	13 19
Desk chair, clean room basic, accessories	13 20
Clip-in profile	13 20
Grab container	13 20
Slot 8 grab tray, 105 × 153.5 mm	13 21
Slot 8 grab tray	13 22
Grab tray	13 23
ESD worktop mat DK10	13 23
Earthing box 3 × DK10	13 24
Earthing plug without cable 3 × DK10	13 24
Earthing plug with cable	13 24
Black helix cable, 2.4 m; 10/10 mm DK	13 24
Dark blue wrist strap, 10 mm DK	13 25
ESD earthing contact for 10 mm DK	13 25
Earthing connection	13 25

► **Round pipes** **14|1**

Round pipe series	14 2
Round pipe D28	14 3
Cap D28	14 3
Bracket	14 3
Round pipe system D28L, D28L; N10	14 4
Round pipe cap D28L; D28L N10	14 4
Cross connector	14 5
Corner bracket	14 5

Corner bracket loads14 5
45° connector14 6
45° connector loads14 6
Corner bracket14 6
90° connector14 7
90° connector loads14 7
Parallel connector14 7
0-90° connector14 8
0-90° connector loads14 8
Round pipe connector14 9
Round pipe connector loads14 9
Variofix block, die-cast zinc14 10
Variofix block for round pipe D2814 10
Slide rail for round pipes D28L14 11
Label clip for round pipe D28; D28L14 11
Pipe clamp D28/N814 12
Adapter panel set D2814 12
T-connector panel D2814 13
Threaded sleeve D28L14 13
► KLT lifters15 1
KLT lifter15 2
► Roller conveyor sections16 1
Roller loads16 2
Fully assembled roller conveyor section16 2
Aluminium roller profile 5/816 2
Roller holder D28, roller spacing 50 / partition 5016 3
Roller holder D28, roller spacing 33 / partition 3316 4
Roller element H26, roller spacing 16.5 / partition 5016 4
Cage for end fitting16 5
Roller element R916 5
Slide strip16 6
Ramp16 6
Ball element16 7
Brush element16 7
Brake16 8
Return stop16 8
Rail bracket16 9
Variable bracket16 10
AL D28 bracket mount16 10
End plate16 11
Side guides16 12
Workplace16 13
Feeder unit16 14
Material cart16 15
Lean shelf16 16
FIFO shelf16 17
► Practical examples	B 1
► Appendix	B 3
Chemical resistance of plastic materials	B 3
Thermal stability of PA6	B 5
Electrostatic discharge capability	B 5
► Product range and product mix	B 6
► Ordering catalogues	B 9
► Certifications	B 10

INDEX OF ARTICLE NUMBERS

50112	16 13	801150	16 3	202200202	11 2	202600022	6 8
50113	16 13	801151	16 3	202200203	11 2	202600023	6 8
50122	16 14	801152	16 3	202200204	11 2	202600024	6 9
50123	16 14	801153	16 3	202300104	4 28	202600030	6 9
50132	16 15	801154	16 3	202300115	4 28	202600031	6 9
50133	16 15	801155	16 3	202300205	4 28	202652021	4 16
50142	16 17	801156	16 3	202311001	4 33	203500300	8 9
50143	16 17	801200	16 3	202311002	4 33	203500301	8 9
50146	16 17	801201	16 3	202311003	4 33	203500302	8 9
50147	16 17	801202	16 3	202311004	4 33	203500303	8 9
50150	16 17	801203	16 3	202311005	4 33	203500304	8 9
50151	16 17	801204	16 3	202311102	4 14	203500305	8 9
50162	16 16	801205	16 3	202311102	4 21	203500306	8 9
50163	16 16	801206	16 3	202311102	4 22	203500307	8 9
50166	16 16	801250	16 5	202311103	4 14	203500308	8 9
50167	16 16	801251	16 5	202311103	4 21	203500309	8 9
50170	16 16	801252	16 5	202311103	4 22	203500310	8 9
50171	16 16	801253	16 5	202311104	4 20	203500311	8 9
50194	16 13	801254	16 5	202350100	4 38	203500312	8 9
50195	16 13	801255	16 5	202350101	4 38	203500313	8 9
500002	7 12	801256	16 5	202350102	4 38	203500314	8 9
500003	7 12	801300	16 11	202350103	4 38	203500315	8 9
500003AST	7 12	801310	16 10	202350400	11 3	203500316	8 9
500004	7 12	801311	16 10	202350401	11 3	203500317	8 9
500004AST	7 12	801320	16 8	202350402	11 3	203500350	8 9
500005	7 12	801330	16 8	202350403	11 3	203500400	8 9
500005AST	7 12	801340	16 8	202350404	11 3	203500401	8 9
500006	7 12	801360	16 6	202350405	11 3	203500402	8 9
500006AST	7 12	801370	16 7	202500100	3 5	203500403	8 9
500008	7 12	801371	16 7	202500101	3 5	203500404	8 9
500008AST	7 12	8814040	16 2	202500102	3 5	203500405	8 9
500010	7 12	8814040E	16 2	202528600	12 4	203500406	8 9
500010AST	7 12	8819940	16 2	202528601	12 4	203500407	8 9
500015	7 12	8819940E	16 2	202528602	12 4	203500408	8 9
630303	7 11	201010003	7 3	202528603	12 4	203500409	8 9
640404	7 11	201010004	7 3	202528604	12 3	203500410	8 9
700970	7 12	201010005	7 3	202528605	12 4	203500411	8 9
730303	7 11	201080000	11 9	202528606	12 4	203500412	8 9
800200	16 6	201080999	11 9	202528700	12 4	203500413	8 9
800201	16 6	201120000	11 9	202528800	12 4	203500414	8 9
800400	16 5	201120120	11 8	202528850	12 5	203500415	8 9
800401	16 5	201120160	11 8	202528851	12 5	203500416	8 9
800500	16 10	201120999	11 9	202528852	12 5	203500417	8 9
800501	16 10	201260000	11 9	202528853	12 5	203600101	8 3
800502	16 10	201260999	11 9	202528854	12 5	203600103	8 3
800503	16 10	201280000	11 9	202528855	12 5	203600105	8 3
800550	16 9	201280999	11 9	202528856	12 5	203600106	8 3
800551	16 9	201400000	11 7	202528857	12 5	203600107	8 3
800552	16 9	201400999	11 7	202528870	12 5	203600109	8 3
800553	16 9	201401200	11 8	202528871	12 5	203600111	8 3
801000	16 11	201401600	11 8	202528872	12 5	203600112	8 3
801001	16 11	201404000	11 7	202528873	12 5	203600113	8 3
801002	16 11	201404010	11 8	202528874	12 5	203600200	8 4
801003	16 11	201404020	11 8	202528875	12 5	203600201	8 4
801050	16 4	201404999	11 7	202528900	12 4	203600202	8 4
801051	16 4	201408000	11 7	202535640	6 6	203600203	8 4
801052	16 4	201408010	11 8	202535644	6 6	203600250	8 4
801053	16 4	201408999	11 7	202535646	6 6	203600251	8 4
801054	16 4	201800000	11 7	202535648	6 6	203600252	8 4
801055	16 4	201800999	11 7	202600013	6 5	203600253	8 4
801056	16 4	201801200	11 8	202600014	6 2	203600254	8 4
801100	16 4	201801600	11 8	202600015	6 8	203600255	8 4
801101	16 4	201808000	11 7	202600016	6 8	203600300	8 2
801102	16 4	201808010	11 8	202600017	6 8	203600302	8 2
801103	16 4	201808020	11 8	202600018	6 8	203600303	8 2
801104	16 4	201808999	11 7	202600019	6 8	203600304	8 2
801105	16 4	202200200	11 2	202600020	6 8	203600305	8 2
801106	16 4	202200201	11 2	202600021	6 8	203600306	8 2

203600307	8 2	205400201	11 5	251202901	2 2	261006006	3 4
203600308	8 2	205610001	6 18	251202911	2 2	261006013	3 3
203600310	8 2	205610002	6 18	251202921	2 2	261006013	7 2
203600312	8 2	205610003	6 18	251202991	2 2	261006014	3 3
203600314	8 2	205610004	6 18	251402000	2 3	261006014	7 2
203600316	8 2	205610100	6 18	251402010	2 3	261006017	3 3
203600317	8 2	205610200	6 18	251402901	2 3	261006017	7 2
203600319	8 2	205615009	7 5	251402911	2 3	261006019	3 3
203600320	8 2	205615150	7 6	251404000	2 3	261006020	3 2
203600350	8 2	205615151	7 6	251404901	2 3	261006021	3 2
203600352	8 2	205615152	7 6	251602000	2 3	261006022	3 2
203600353	8 2	206500001	13 23	251602901	2 3	261006023	3 2
203600354	8 2	206500002	13 23	252200128	4 2	261010002	7 3
203600355	8 2	206519735	13 16	252200129	4 2	261120300	2 8
203600356	8 2	206538409	13 16	252200130	4 2	261120310	2 8
203600357	8 2	206539800	13 12	252200131	4 2	261120399	2 8
203600358	8 2	206539841	13 11	252200132	4 2	261120600	2 9
203600360	8 2	206539842	13 11	252200133	4 2	261120601	2 9
203600362	8 2	206539844	13 11	252200134	4 3	261120690	2 9
203600364	8 2	206539846	13 11	252200135	4 3	261120691	2 9
203600366	8 2	206539847	13 11	252200136	4 3	261120901	2 8
203600367	8 2	206539847	13 11	252200137	4 3	261300001	2 6
203600368	8 2	206539850	13 11	252200203	11 2	261300901	2 6
203600369	8 2	208520020	6 20	252300100	4 24	261303000	2 5
203600400	8 6	208522481	10 12	252300106	4 24	261303010	2 5
203600401	8 6	208530001	10 11	252300109	4 24	261303020	2 6
203600402	8 6	208530003	10 14	252300114	4 24	261303030	2 6
203600403	8 6	208530005	10 14	252300200	4 24	261303045	2 6
203600404	8 6	208536002	14 3	252305100	4 21	261303050	2 5
203600405	8 6	208541193	14 12	252310001	4 22	261303901	2 5
203600406	8 6	208999102	10 15	252310003	4 30	261303911	2 5
203600407	8 6	208999471	10 7	252310004	4 30	261303921	2 6
203600500	8 6	208999472	10 8	252310010	4 30	261303931	2 6
203600501	8 6	208999473	10 9	252310011	4 30	261303945	2 6
203600502	8 6	208999474	10 10	252310012	4 30	261303951	2 5
203600503	8 6	212200206	11 2	252311001	4 14	261603000	2 7
203600600	8 5	212300206	4 28	252311006	4 33	261603050	2 7
203600601	8 5	212300600	4 7	252311008	4 14	261603901	2 7
203600602	8 5	212300601	4 7	252523506	4 24	261603951	2 7
203600603	8 5	212300602	4 7	252528570	12 2	261606000	2 7
203600604	8 5	212300603	4 7	252600014	6 5	261606050	2 7
203600605	8 5	212311008	4 14	252652007	4 16	261606901	2 7
203600606	8 5	251000000	6 13	252652010	4 18	261606951	2 7
203600607	8 5	251000100	6 13	252652014	4 18	262146100	4 42
203600608	8 5	251000999	6 13	252652020	4 16	262146101	4 42
203600609	8 5	251005001	3 6	252652022	4 17	262146200	4 43
203600650	8 5	251005002	3 6	252655005	4 36	262146201	4 43
203600651	8 5	251005003	3 6	252655006	4 36	262200100	4 4
203600652	8 5	251005004	3 6	252655007	4 36	262200101	4 4
203600653	8 5	251005004	7 9	252655008	4 36	262200102	4 4
203600654	8 5	251005005	3 6	252656001	4 40	262200103	4 4
203600655	8 5	251005006	3 6	252656002	4 40	262200104	4 4
203600656	8 5	251005007	3 6	252656003	4 40	262200105	4 4
203600657	8 5	251005020	11 4	252656004	4 40	262200106	4 4
203600658	8 5	251005023	3 6	253218001	9 6	262200107	4 4
203600659	8 5	251005029	3 6	255100102	11 4	262200108	4 4
203600700	8 7	251005036	3 6	255400103	11 6	262200109	4 4
203600701	8 7	251005038	3 6	255400104	11 6	262200143	4 3
203600800	8 2	251005039	3 6	255610500	6 19	262200144	4 3
203600801	8 2	251006007	3 3	255615001	7 4	262200145	4 3
203600802	8 2	251006007	7 2	255615100	7 6	262200146	4 3
203600803	8 2	251006008	3 3	255615103	7 6	262200147	4 3
204500601	5 2	251006008	7 2	261005003	11 4	262200148	4 3
204500602	5 2	251006016	3 3	261005008	3 6	262200149	4 3
204500604	5 3	251006016	7 2	261005009	3 6	262200150	4 3
204500605	5 3	251010001	7 3	261005010	3 6	262200151	4 3
204500606	5 3	251201000	2 4	261005023	3 6	262200204	11 2
204532235	5 3	251201901	2 4	261005024	3 6	262300102	4 25
205400100	11 6	251202000	2 2	261005027	3 6	262300110	4 25
205400101	11 6	251202010	2 2	261005028	3 6	262300117	4 25
205400102	11 6	251202020	2 2	261005040	3 6	262300201	4 25
205400200	11 5	251202090	2 2	261005041	3 6	262305101	4 21

262310002	4 22	281006010	3 3	281404129	2 10	282200106	4 5
262310006	4 31	281006010	7 2	281404140	10 16	282200107	4 5
262310007	4 31	281006011	3 3	281404149	10 16	282200108	4 5
262310011	4 31	281006011	7 2	281404150	10 17	282200109	4 5
262310012	4 31	281006012	3 3	281404159	10 17	282200110	4 5
262310013	4 31	281006012	7 2	281404901	2 10	282200111	4 5
262310014	4 31	281006013	3 3	281404911	2 10	282200112	4 5
262310015	4 31	281006013	7 2	281404921	2 11	282200113	4 5
262311002	4 14	281006014	3 3	281404931	2 11	282200114	4 5
262311006	4 14	281006014	7 2	281404941	2 12	282200115	4 5
262311500	4 34	281006015	3 3	281404951	2 12	282200116	4 5
262311501	4 34	281006015	7 2	281404961	2 12	282200117	4 5
262321003	4 37	281006016	3 3	281404971	2 11	282200118	4 5
262321004	4 37	281006017	3 2	281404981	2 11	282200119	4 5
262321005	4 37	281006018	3 3	281404991	2 12	282200120	4 5
262321006	4 37	281006018	7 2	281408030	2 13	282200121	4 5
262523504	4 24	281006019	3 2	281408045	2 13	282200122	4 5
262523509	4 25	281006024	3 3	281408060	2 14	282200123	4 5
262528571	12 2	281006025	3 2	281408090	2 14	282200124	4 5
262600015	6 5	281006050	9 5	281408931	2 13	282200125	4 5
262600026	6 10	281006051	9 5	281408941	2 13	282200126	4 5
262652008	4 16	281006100	7 3	281408961	2 14	282200127	4 5
262652011	4 18	281006101	7 3	281408991	2 14	282200130	4 5
262652015	4 18	281006200	3 4	281801600	2 27	282200140	4 7
262652021	4 16	281006201	3 4	281801610	2 27	282200141	4 6
262652023	4 17	281006202	3 4	281801901	2 27	282200148	4 7
262652024	4 17	281008100	7 9	281801911	2 27	282200149	4 7
263218002	9 6	281120400	2 20	281804000	2 14	282200150	4 7
263510400	8 14	281120410	2 20	281804010	2 15	282200151	4 7
264500600	5 2	281120800	2 21	281804020	2 15	282200152	4 2
264500603	5 2	281120810	2 22	281804030	2 16	282200153	4 2
265100101	11 4	281120901	2 20	281804040	2 16	282200154	4 2
265615002	7 4	281120909	2 21	281804050	2 16	282200155	4 2
265615003	7 4	281120911	2 20	281804060	2 16	282200160	4 6
265615004	7 4	281120919	2 22	281804070	2 15	282200161	4 6
265615010	7 6	281160400	2 22	281804901	2 14	282200162	4 6
265615102	7 6	281160410	2 23	281804911	2 15	282200205	11 2
265615104	7 6	281160420	2 23	281804921	2 15	282200300	4 6
281005001	11 4	281160800	2 24	281804931	2 16	282200301	4 6
281005011	3 6	281160810	2 24	281804941	2 16	282200302	4 6
281005012	3 6	281160901	2 22	281804951	2 16	282200500	4 2
281005013	3 6	281160911	2 23	281804961	2 16	282200501	4 2
281005014	3 6	281160921	2 24	281804971	2 15	282200502	4 2
281005015	3 6	281160931	2 24	281808000	2 18	282300103	4 26
281005016	3 6	281160941	2 23	281808020	2 19	282300105	4 28
281005017	3 6	281161600	2 26	281808030	2 18	282300107	4 29
281005018	3 6	281161699	2 26	281808040	2 19	282300108	4 27
281005019	3 6	281321800	7 9	281808050	2 17	282300111	4 26
281005020	3 6	281321899	7 9	281808060	2 17	282300112	4 27
281005021	3 6	281400070	2 13	281808901	2 18	282300113	4 28
281005022	3 6	281400109	10 17	281808921	2 19	282300114	4 28
281005025	3 6	281400971	2 13	281808931	2 18	282300115	4 29
281005026	3 6	281401600	2 25	281808941	2 19	282300116	4 29
281005028	3 6	281401610	2 25	281808951	2 17	282300202	4 26
281005030	3 6	281401901	2 25	281808961	2 17	282300203	4 27
281005031	3 6	281401911	2 25	281996200	3 4	282300204	4 28
281005032	3 6	281403200	2 25	282048001	3 8	282300252	4 26
281005033	3 6	281403299	2 25	282048002	3 8	282300253	4 27
281005034	3 6	281404000	2 10	282048003	3 8	282300254	4 26
281005036	3 6	281404010	2 10	282048004	3 8	282300255	4 27
281005037	3 6	281404013	10 17	282048005	3 8	282300255	4 28
281005039	3 6	281404020	2 11	282100001	4 19	282300400	4 29
281005100	3 7	281404030	2 11	282100002	4 19	282300500	4 8
281005101	3 7	281404040	2 12	282100003	4 20	282300501	4 8
281005102	3 7	281404050	2 12	282146102	4 42	282300502	4 8
281005110	3 7	281404060	2 12	282146103	4 42	282300503	4 8
281006002	3 2	281404070	2 11	282146104	4 42	282300504	4 8
281006003	3 2	281404080	2 11	282146105	4 42	282300505	4 8
281006004	3 2	281404090	2 12	282146202	4 43	282305102	4 21
281006005	3 4	281404100	10 17	282146203	4 43	282305120	4 22
281006009	3 3	281404109	10 17	282146204	4 43	282305121	4 22
281006009	7 2	281404120	2 10	282146205	4 43	282310001	4 32

282310003	4 22	282600027	6 10	286500015	13 21	402150243	4 10
282310008	4 32	282600028	6 10	286516909	13 25	402150244	4 10
282310009	4 32	282600500	9 3	286522100	13 25	402150245	4 10
282310010	4 32	282600501	9 3	401535118	14 3	402150246	4 10
282310011	4 32	282600502	9 3	401541211	14 4	402150247	4 10
282310012	4 32	282600503	9 3	401993317	14 3	402150248	4 11
282310013	4 32	282652000	5 5	401996191	14 4	402150249	4 11
282310014	4 32	282652001	4 16	402150001	4 9	402150250	4 11
282310015	4 32	282652005	4 16	402150002	4 9	402150251	4 11
282310016	4 32	282652006	4 16	402150003	4 9	402150252	4 11
282310017	4 32	282652009	4 16	402150004	4 9	402150253	4 11
282310018	4 32	282652012	4 18	402150005	4 9	402150254	4 11
282310019	4 32	282652013	4 18	402150006	4 9	402150255	4 11
282311003	4 14	282652020	4 17	402150007	4 9	402150256	4 11
282311004	4 14	282652021	4 17	402150008	4 9	402150257	4 11
282311005	4 14	282652030	4 42	402150009	4 9	402150258	4 11
282311007	4 14	282652031	4 42	402150010	4 9	402150259	4 11
282311100	4 14	282652032	4 42	402150011	4 9	402150260	4 11
282311100	4 21	282655001	4 36	402150012	4 9	402150261	4 11
282311100	4 22	282655002	4 36	402150013	4 9	402150262	4 11
282311200	4 7	282655003	4 36	402150014	4 9	402150263	4 11
282311500	4 23	282655004	4 36	402150015	4 9	402150265	4 11
282311502	4 34	282655009	4 36	402150016	4 9	402150266	4 11
282311503	4 34	282655010	4 36	402150017	4 9	402150267	4 11
282311600	10 18	282656000	4 41	402150018	4 9	402150268	4 11
282311601	10 19	282656003	4 41	402150019	4 9	402150269	4 11
282311602	10 18	282656004	4 41	402150020	4 10	402150270	4 11
282311700	10 19	282656005	4 41	402150021	4 10	402150271	4 11
282311800	4 20	282656006	4 41	402150022	4 10	402150272	4 11
282311801	4 20	282656007	4 41	402150030	4 9	402150273	4 10
282311802	1 7	282656008	4 41	402150031	4 9	402150300	4 13
282311802	4 20	282750100	6 12	402150032	4 9	402150301	4 13
282311802	4 20	282800100	11 11	402150033	4 9	402150302	4 12
282311850	4 15	282800101	11 11	402150034	4 9	402150303	4 13
282311901	4 14	282800102	11 11	402150035	4 9	402150304	4 11
282312001	4 34	282800103	11 11	402150036	4 9	402150305	4 11
282313001	4 35	282800110	11 11	402150037	4 9	402150306	4 11
282320000	4 19	282800150	11 10	402150038	4 9	402150307	4 11
282321001	4 37	282800151	11 10	402150039	4 9	402150308	4 11
282321002	4 37	282800152	11 10	402150040	4 9	402150309	4 11
282321009	4 37	282800200	11 10	402150041	4 9	402150310	4 11
282321010	4 37	282899200	11 10	402150042	4 9	402150311	4 11
282350100	9 4	283218003	9 6	402150043	4 9	402150312	4 11
282350200	8 8	283218004	9 6	402150200	4 10	402150313	4 11
282350201	8 8	283500500	8 8	402150201	4 10	402150314	4 11
282350300	6 21	283500501	8 8	402150202	4 10	402150315	4 11
282400400	7 10	283510401	8 14	402150203	4 10	402150316	4 12
282500500	4 29	284532206	5 4	402150204	4 11	402150317	4 12
282523501	4 26	284532207	5 4	402150205	4 10	402150318	4 12
282523502	4 27	284615601	10 20	402150207	4 10	402150319	4 12
282523503	4 28	284615602	10 20	402150208	4 10	402150320	4 12
282523504	4 28	285100100	11 4	402150209	4 11	402150321	4 12
282523505	4 28	285400000	11 5	402150220	4 11	402150322	4 12
282523506	4 27	285400300	11 5	402150221	4 11	402150323	4 12
282523507	4 29	285610501	6 19	402150225	4 10	402150324	4 12
282523508	4 26	285615005	7 4	402150226	4 10	402150325	4 12
282528572	12 2	285615006	7 4	402150227	4 10	402150326	4 12
282528573	12 3	285615007	7 4	402150228	4 10	402150327	4 12
282528574	12 3	285615008	7 5	402150229	4 10	402150328	4 12
282529159	8 11	285615011	7 6	402150230	4 10	402150329	4 12
282529160	8 11	285615050	7 5	402150231	4 10	402150330	4 12
282529170	8 11	285615070	7 7	402150232	4 10	402150331	4 12
282529171	8 11	285615100	7 10	402150233	4 10	402150332	4 12
282538100	11 12	285615101	7 6	402150234	4 10	402150333	4 12
282538101	11 12	285615105	7 6	402150235	4 10	402150334	4 12
282538102	11 12	285615200	6 19	402150236	4 10	402150335	4 12
282540100	8 10	285615300	6 20	402150237	4 10	402150336	4 12
282540101	8 10	286500010	13 21	402150238	4 10	402150337	4 12
282600011	6 4	286500011	13 21	402150239	4 10	402150338	4 12
282600012	6 4	286500012	13 21	402150240	4 10	402150339	4 12
282600025	6 10	286500013	13 21	402150241	4 10	402150340	4 12
		286500014	13 21	402150242	4 10	402150341	4 12

402150342	4 12	402535126	16 12	403538675	8 3	406517049	13 12
402150343	4 12	402535667	9 8	403538677	8 3	406517051	13 12
402150344	4 12	402535671	9 8	403538678	8 3	406517055	13 13
402150345	4 12	402536149	7 11	403538681	8 5	406517201	13 12
402150346	4 12	402537116	13 18	403538832	8 3	406520053	13 2
402150347	4 12	402537163	9 8	403538833	8 3	406520054	13 2
402150348	4 12	402537651	13 18	403538834	8 3	406520055	13 2
402150349	4 12	402537653	13 18	403538835	8 3	406520056	13 2
402150350	4 12	402600001	6 3	403538836	8 3	406520057	13 2
402150351	4 12	402600002	6 2	403600120	8 3	406527161	13 19
402150352	4 12	402600003	6 3	403600121	8 3	406527162	13 19
402150353	4 12	402600004	6 2	403600122	8 3	406527207	13 12
402150354	4 12	402600005	6 2	403600123	8 3	406530100	13 5
402150355	4 12	402600006	6 3	404542329	7 7	406530101	13 5
402150356	4 12	402600007	6 3	404542330	7 7	406530102	13 5
402150357	4 12	402600008	6 3	404615500	7 8	406530103	13 5
402150358	4 12	402600009	6 3	404615600	10 20	406530104	13 5
402150359	4 12	402600010	6 3	405218900	9 5	406532909	13 13
402150360	4 12	402600011	6 3	405218901	9 5	406537123	13 12
402150361	4 12	402600012	6 3	405218902	9 5	406537598	13 12
402150362	4 13	402600013	6 2	405410000	13 18	406540429	13 18
402150363	4 13	402601150	6 6	405410001	13 18	406542146	10 12
402150364	4 13	402601151	6 6	405530002	6 17	406546772	13 20
402150365	4 13	402601180	6 7	405530100	6 22	406546773	13 20
402150366	4 13	402601181	6 7	405530300	6 13	406546774	13 20
402150367	4 13	402601200	6 3	405530301	6 14	406553142	13 13
402150368	4 13	402601201	6 3	405530302	6 17	408510165	11 3
402150369	4 13	402601300	6 4	405530303	6 14	408520011	10 13
402150370	4 13	402650003	4 39	405530304	6 14	408520017	10 13
402150371	4 13	402650004	4 39	405530305	6 14	408530002	10 15
402150372	4 13	402650006	4 39	405530352	6 13	408535136	14 11
402150373	4 13	402650008	4 39	405530353	6 13	408536010	14 12
402150374	4 13	402650009	4 39	405530400	6 16	408537119	14 11
402150375	4 13	402650010	4 39	405530401	6 16	408537652	14 11
402150376	4 13	402650011	4 39	405530402	6 16	408538093	14 11
402150377	4 13	402651001	6 12	405530403	6 16	408541173	14 7
402150378	4 13	402651100	6 12	405530404	6 16	408541175	14 6
402150379	4 13	402700001	4 38	405530405	6 16	408541178	14 8
402150380	4 13	402700002	4 38	405530450	6 16	408541181	14 5
402150381	4 13	402700003	4 38	405800300	9 7	408541183	14 7
402150382	4 13	402700004	4 38	405800301	9 7	408541185	14 13
402150383	4 13	402700005	4 38	405801200	9 7	408541186	14 13
402150384	4 13	402750001	6 10	405801201	9 7	408541188	14 5
402150385	4 13	402750002	6 10	405801202	9 7	408541189	14 9
402150386	4 13	402750010	6 11	405801203	9 7	408541191	14 6
402150387	4 13	402750011	6 11	405901310	9 5	408541195	14 3
402150388	4 13	402750012	6 11	406200100	13 17	408541195	14 4
402150389	4 13	402750013	6 11	406200120	13 15	408541196	14 11
402150390	4 13	402750014	6 11	406200125	13 14	408541197	14 11
402150391	4 13	402750100	6 11	406200150	13 17	408543311	14 10
402150392	4 13	402750101	6 11	406344701	13 20	408543494	14 10
402150393	4 13	402750102	6 11	406344702	13 20	408994783	10 4
402150394	4 13	403536694	8 3	406410015	13 14	408994784	10 6
402150395	4 13	403536695	8 3	406410016	13 14	408994785	10 5
402152064	4 11	403536811	8 2	406502153	13 13	412259790	8 13
402259800	8 14	403536812	8 2	406514650	13 6	412259791	8 13
402259801	8 14	403537206	8 3	406514651	13 6	412259792	8 13
402259802	8 14	403537220	8 2	406514652	13 6	412259793	8 13
402259803	8 14	403537222	8 2	406514660	13 9	412259795	8 13
402350400	6 21	403537223	8 2	406514661	13 9	412259796	8 13
402350401	6 22	403537224	8 2	406514670	13 8	412345081	4 8
402510462	11 3	403537227	8 2	406514671	13 8	412515366	8 11
402510464	11 3	403537228	8 2	406516100	13 15	412515367	8 11
402525103	4 40	403537229	8 2	406516101	13 16	412515368	8 11
402525203	4 40	403537230	8 2	406516900	13 23	412515369	8 11
402525737	9 8	403538555	8 7	406516905	13 24	412525105	4 41
402525738	9 8	403538556	8 7	406516910	13 24	412525205	4 41
402525739	9 8	403538557	8 7	406517043	13 13	412536736	8 12
402526560	4 43	403538558	8 7	406517044	13 13	412536737	8 12
402526561	4 43	403538559	8 7	406517045	13 12	412536738	8 12
402526562	4 43	403538673	8 3	406517046	13 12	412541226	8 11
402528189	10 13	403538674	8 3	406517047	13 12	412541230	8 11

412541231	8 11
412541232	8 11
412541234	8 11
412541235	8 11
412541237	8 11
412541238	8 11
412541239	8 11
412541240	8 11
412541246	8 11
412541258	8 11
412541266	8 11
412541268	8 11
412541272	8 11
412541274	8 11
412547890	8 15
415901309	9 5
416500020	13 22
416500021	13 22
416500022	13 22
416500023	13 22
416500024	13 22
416500025	13 22
416516908	13 25
416522087	13 24
416522100	13 24
416537358	13 14
416539838	13 14
481338990	13 20
482100200	7 8
482100201	7 8
482522345	10 14
482522346	10 14
482523925	4 8
482650001	4 39
482650002	4 39
482650005	4 39
3842537659	13 20
3842537681	13 20
3842546534	13 19
3842546535	13 19
3842546538	13 19
3842546539	13 19
3842993359	13 20
3842993411	13 20

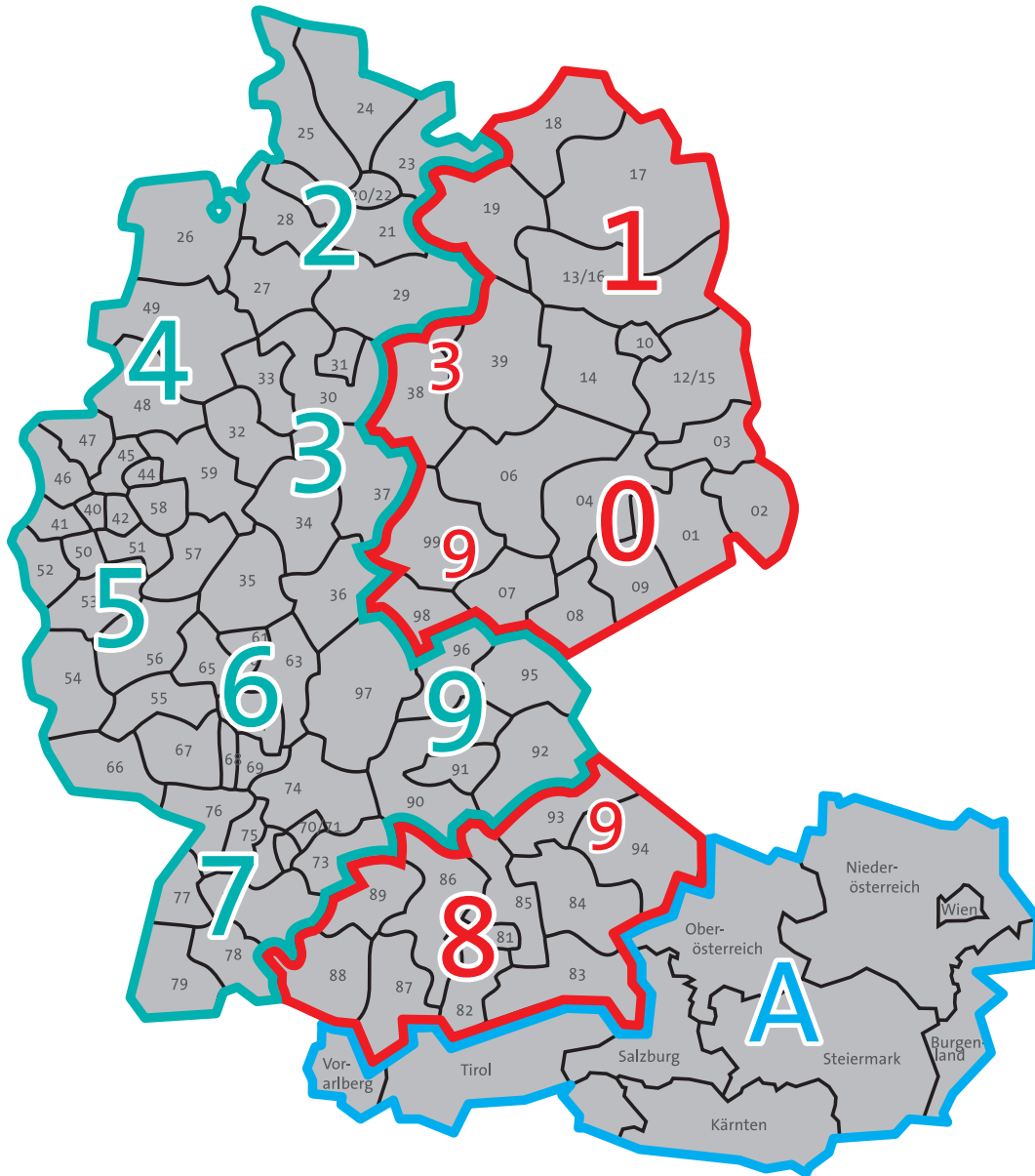
ALPHABETICAL INDEX

0-90° connector	14 8	Aluminium profile 120 × 60L	2 9
0-90° connector loads	14 8	Aluminium profile 120 × 80	2 22
45° connector	14 6	Aluminium profile 120 × 80L	2 21
45° connector loads	14 6	Aluminium profile 160 × 40	2 23
90° connector	14 7	Aluminium profile 160 × 40L	2 22
90° connector loads	14 7	Aluminium profile 160 × 40L 4N	2 23
A4 sheet protectors for info boards	13 14	Aluminium profile 160 × 80	2 24
Absorber plate for hinged knuckle feet	8 7	Aluminium profile 160 × 80L	2 24
Adapter panel set D28	14 12	Aluminium profile caps	3 6
Adapter plate for steering and fixed castors	8 10	Aluminium profile R20 90°	2 2
Adjustable levelling foot	8 14	Aluminium profile R30L 90°	2 6
AL D28 bracket mount	16 10	Aluminium profile R40/80-30°	2 13
Aluminium profile 16 × 160	2 26	Aluminium profile R40/80-45°	2 13
Aluminium profile 20 × 10	2 4	Aluminium profile R40/80-60°	2 14
Aluminium profile 20 × 20	2 2	Aluminium profile R40/80-90°	2 14
Aluminium profile 20 × 20 1N	2 2	Aluminium profile R40L 90°	2 13
Aluminium profile 20 × 20 2N90	2 2	Aluminium roller profile 5/8	16 2
Aluminium profile 30 × 30	2 5	Angle bracket V40	4 29
Aluminium profile 30 × 30L	2 5	Angle element	4 37
Aluminium profile 30 × 30L 1N	2 5	Angle joint	4 36
Aluminium profile 30 × 30L 2N90	2 6	Angle locking bracket 8	5 5
Aluminium profile 30 × 30L 2N180	2 6	Articulated brackets	4 33
Aluminium profile 30 × 30L 45°	2 6	Automatic butt connector	4 18
Aluminium profile 32 × 18	7 9	Automatic combination connector	4 17
Aluminium profile 40 × 16	2 25	Automatic connectors	4 16
Aluminium profile 40 × 16E	2 25	Ball catch	6 18
Aluminium profile 40 × 20	2 3	Ball catch mounting bracket	6 18
Aluminium profile 40 × 20 2N	2 3	Ball element	16 7
Aluminium profile 40 × 32L	2 25	Ball head 15 with female thread	8 2
Aluminium profile 40 × 40	2 3	Bar	6 17
Aluminium profile 40 × 40	2 11	Base 40 with arm, ball 15	8 5
Aluminium profile 40 × 40 45°	2 12	Base for hinged knuckle feet, ball 15	8 3
Aluminium profile 40 × 40E	2 10	Base for steady knuckle feet	8 6
Aluminium profile 40 × 40E 2N180	2 10	Base plate	8 9
Aluminium profile 40 × 40E 45°	2 12	Base plate	10 13
Aluminium profile 40 × 40L	2 10	Bending/calculation	1 3
Aluminium profile 40 × 40L 1N	2 11	Black helix cable, 2.4 m; 10/10 mm DK	13 24
Aluminium profile 40 × 40L 2N90	2 11	Black strip brush	7 8
Aluminium profile 40 × 40L 2N180	2 11	Bolt connectors	4 20
Aluminium profile 40 × 40L 3N	2 12	Bottle holder	13 18
Aluminium profile 40 × 40L 45°	2 12	Bow handle	6 10
Aluminium profile 40 × 80 × 80L	2 17	Bracket	14 3
Aluminium profile 60 × 20	2 3	Bracket 20 × 20	4 24
Aluminium profile 60 × 30	2 7	Bracket 30 × 30	4 25
Aluminium profile 60 × 30L	2 7	Bracket 30 × 60	4 25
Aluminium profile 60 × 60	2 7	Bracket 40 × 40, slot 5	4 24
Aluminium profile 60 × 60L	2 7	Bracket 40 × 40, slot 8	4 26
Aluminium profile 80 × 16	2 27	Bracket 40 × 80	4 27
Aluminium profile 80 × 16E	2 27	Bracket 60 × 60	4 28
Aluminium profile 80 × 40	2 15	Bracket 80 × 80	4 28
Aluminium profile 80 × 40E	2 14	Bracket 160 × 80	4 29
Aluminium profile 80 × 40E 2N180	2 16	Bracket 160 × 160	4 29
Aluminium profile 80 × 40E 3N90	2 16	Bracket set	13 12
Aluminium profile 80 × 40E 4N180	2 15	Brake	16 8
Aluminium profile 80 × 40L	2 15	Brush element	16 7
Aluminium profile 80 × 40L 1N	2 16	Buffer stop	11 3
Aluminium profile 80 × 40L 2N	2 16	Buffer stop Parabolic springs	11 3
Aluminium profile 80 × 80	2 19	Cable duct cap	11 8
Aluminium profile 80 × 80E	2 17	Cable duct & cover	11 7
Aluminium profile 80 × 80L	2 18	Cable tie mount	11 5
Aluminium profile 80 × 80L 2N	2 19	Cage for end fitting	16 5
Aluminium profile 80 × 80L 4N90	2 18	Cap	7 9
Aluminium profile 120 × 30	2 8	Cap D28	14 3
Aluminium profile 120 × 30L	2 8	Cap for automatic connector	4 16
Aluminium profile 120 × 40	2 20	Carrier profile	11 9
Aluminium profile 120 × 40L	2 20	Castor with fitted flange	8 13
Aluminium profile 120 × 60	2 9		

Chemical resistance of plastic materials	B 3	Earthing plug without cable 3× DK10	13 24
Chest of drawers	13 19	Earthing strap	7 11
Circlip	7 7	Electrostatic discharge capability	B 5
Clamping bracket	4 34	Emergency door lock opener	6 17
Clamping pad	7 6	End plate	16 11
Clamping profile 8, 32 × 18	7 9	Equipotential bonding	11 4
Clamping profile 8 40 × 40E	10 17	ESD earthing contact for 10 mm DK	13 25
Clamping profile 40 × 40	10 16	ESD worktop mat DK10	13 23
Clamping profile 40 × 40	10 17	Feeder unit	16 14
Clamping profile 40 × 40 180	10 17	Feed-through	11 8
Clip cable tie – slot 8	11 6	FIFO shelf	16 17
Clip cable tie with hammer	11 6	Fillet strip	7 9
Clip-Fix roller element	9 7	Fillister head screws with flange	4 10
Clip-in profile	13 20	Floor angle w/o height adjustment	4 43
Combination hinge of die-cast aluminium	6 6	Floor dowel	4 43
Combination hinge with clamping lever	6 4	Floor mount for trapezoid base	8 7
Compact door lock	6 14	Floor mounting plate	8 8
Compact double door lock	6 14	Floor plates	8 8
Corner angle	4 30	Fully assembled roller conveyor section	16 2
Corner angle 20	4 30	General-purpose shears	12 4
Corner angle 30	4 31	Grab container	13 20
Corner angle 40	4 32	Grab tray	13 23
Corner bracket	14 5	GST plug, GST socket	13 13
Corner bracket	14 6	Guide channel set for lift gates	6 20
Corner bracket EV	4 20	Guide channel set for lift gates and sliding doors	6 20
Corner bracket loads	14 5	Hammer head nut	4 2
Coupling set 8	6 21	Hammer head screw, slot 8	4 8
Coupling set for clamping profile 8, 32 × 18	7 10	Handle	6 11
Cover and lining profile	7 2	Handle AL	6 11
Cover and lining profiles	3 3	Handle system	6 12
Cover profiles	3 2	Heavy-duty castor	8 12
Cross cable tie mount – slot 5 & 8	11 5	Heavy pivoting slot nut, 18.0 × 6.8 mm, slot 8, with ball spring	4 6
Cross connector	14 5	Height-adjustable 4-axle display support	13 14
Cross connector for clamping profile 40 × 40 N8	10 19	Height-adjustable 5-axle display support	13 15
Cube connector	4 40	Height-adjustable floor angle	4 42
Cube connector 20	4 40	Height-adjustable footrest	13 16
Cube connector 20 loads	4 40	Hexagon socket cheese head screw 8.8 DIN ISO 4762	4 11
Cube connector 40	4 41	Hexagon socket countersunk screws DIN 7991 8.8	4 10
Cube connector 40 loads	4 41	Hinge system with adjustable friction	6 7
Cup holder	13 18	Hinge system with catch	6 6
Cylindrical shank	12 4	Horizontally divided safety frame	10 5
D14.2 T19:	1 7	Info board	13 13
D14 bearing units	11 11	Inside hinge element	6 8
D14 runner	11 10	Joint	5 2
D14 shaft clamping profile	11 10	Joint 20	5 2
D14 wiping and lubrication system	11 11	Joint 30	5 2
Dark blue wrist strap, 10 mm DK	13 25	Joint 40	5 3
Desk chair, clean room basic	13 19	Joint 40 × 80	5 3
Desk chair, clean room basic, accessories	13 20	Joint loads	5 3
Die-cast zinc hinge with oblong holes – no unHINGING	6 10	KLT lifter	15 2
Display pocket	13 14	Label clip for round pipe D28; D28L	14 11
Display support	13 15	Label clips	13 18
Display support adapter panel	13 16	Lean shelf	16 16
Door latch	6 22	LED system lamp	13 6
Door lock	6 13	LED system lamp	13 7
Door lock PROe	6 15	levelling castor	8 15
Door lock PROe	6 16	Lifting units for height-adjustable workplaces	13 3
Door profile	10 15	Light-duty aluminium hinge 40	6 9
Door stop	6 21	Light-duty handle AL	6 12
Door stop	10 15	Light-duty metal hinge – no unHINGING	6 9
Drilling jig for mitre connectors	12 3	Limit switch mount	11 2
Drilling jig – slot 5 mm	12 2	Linear slide carriage	9 2
Drilling jig – slot 6 mm	12 2	Lining profiles 8 4–6 mm	3 3
Drilling jig – slot 8 mm	12 2	Load capacity of profile slot	1 4
Drilling jig – slot 8 mm	12 3	Machine handle	6 12
Drilling unit slot 8	12 3	Machining for use of central clamps	1 8
Drop cable	13 12	Machining for use of central clamps	4 19
Earth connection	11 4	Machining of bolt connector 18: D14.2 T19:	4 20
Earthing box 3× DK10	13 24	Machining of bolt connector 40-80	4 20
Earthing connection	13 25	Machining of bolts	1 7
Earthing plug with cable	13 24		

Machining of bolts 18:	1 7	Rail bracket	16 9
Machining of centre bolts – slot 8	1 6	Ramp	16 6
Machining of clamping profile connector set 8 32 × 18	1 8	R cover profiles	3 4
Machining of clamping profile coupling set 8, 32 × 18	7 10	Return stop	16 8
Machining of corner angles	1 6	Rhomboid nut, slot 8	4 2
Machining of corner angles	4 32	Roller element H26, roller spacing 16.5 / partition 50	16 4
Machining of mitre connector set	1 7	Roller element R9	16 5
Machining of mitre connector set		Roller holder D28, roller spacing 33 / partition 33	16 4
D14.2T26.7+9	4 35	Roller holder D28, roller spacing 50 / partition 50	16 3
Machining of screw connectors – slot 5 / slot 6 / slot 8	1 5	Roller loads	16 2
Machining of screw connectors – slot 5 / slot 6 / slot 8	4 14	Roller support.	9 8
Machining of universal butt connectors and universal connectors		Round head screws, ISO 7380, strength category 10.9	4 9
– slot 5 / slot 6 / slot 8	1 5	Round pipe cap D28L; D28L N10	14 4
Machining of universal butt connectors and universal connectors		Round pipe connector.	14 9
– slot 5 / slot 6 / slot 8	4 21	Round pipe connector loads	14 9
Machining of universal butt connectors and universal connectors		Round pipe D28	14 3
– slot 5 / slot 6 / slot 8	4 23	Round pipe series	14 2
Machining of ZIG-A mega connectors – slot 8	1 6	Round pipe system D28L, D28L; N10	14 4
Machining of ZIG-A mega connectors – slot 8	4 19	Rubber mat/push floor mat	7 12
Magnetic catch	6 19	Runner	9 6
Magnetic door stop	6 22	Safety Allen wrench bit AF1.5-6	12 4
Mains cable	13 12	Safety fence	10 2
Material cart	16 15	Safety frame.	10 4
Milling connector for slot 8 profile 40	4 23	Safety grid profile cap.	10 14
Mini plastic hinge 20; slot 5	6 2	Screw connectors	4 14
Mitre connector set	4 35	Screwdriver	12 5
Mounting angle	4 38	Screwdriver bit	12 4
Mounting bracket – set of securing hardware.	10 12	Screw-type roller element	9 7
Mounting kit	10 11	Set of pneumatic universal connectors	4 22
Mounting pad.	7 6	Set of standard connectors 8 K	4 15
Multiple socket, power strip unit.	13 11	Side guides	16 12
Natural colour handle bar profile.	6 13	Slide rail	9 5
NBR cover profiles	3 4	Slide rail for round pipes D28L	14 11
Ordering machined profiles	1 8	Slide strip	16 6
Panel bracket	7 8	Sliding keyboard shelf.	13 17
Parallel connector	14 7	Slot 8 anti-twist central clamp	4 19
PC mount	13 17	Slot 8 clamping profile connector 40 × 40E	10 18
Pin-fitted M6 slot nut	4 7	Slot 8 clamping spring	7 10
Pipe clamp D28/N8	14 12	Slot 8 grab tray	13 22
Pivoting double slot nut, 10.5 mm, slot 6	4 3	Slot 8 grab tray, 105 × 153.5 mm	13 21
Pivoting double slot nut, 13.7 × 7.0 mm, slot 8	4 7	Slot 8 guide channel set for sliding doors.	6 19
Pivoting double slot nut, 20.3 × 11.2 mm, slot 12	4 7	Slot 8 mitre connectors	4 34
Pivoting slot nut, 7.7 × 4.0 mm, slot 5, with guide step and ball		Slot 8 universal pad ZN40	7 5
spring.	4 3	Slot cap 8, zinc	3 7
Pivoting slot nut, 8.0 × 4.2 mm, slot 5, with ball spring	4 2	Slot slide 8	9 4
Pivoting slot nut, 10.5 × 6.3 mm,		Snap hook & sliding tool hanger	9 5
slot 6, with ball spring	4 4	Spot-welded grid	7 11
Pivoting slot nut, 10.5 × 6.9 mm, slot 6,		Spring balancer.	13 2
with ball spring and guide step.	4 4	Square base for hinged knuckle feet, ball 15.	8 4
Pivoting slot nut, 13.5 × 7.2 mm, slot 8,		Steel angle.	4 38
with ball spring, guide step and grub screw	4 6	Steering castor	8 11
Pivoting slot nut, 13.5 × 7.2 mm, slot 8, with guide step and ball		Steering castor mounting kit	8 11
spring	4 5	Straightness tolerance	1 4
Pivoting slot nut, 13.7 × 7.0 mm,		Support arm joint	5 4
slot 8, with ball spring	4 5	Support arm joint loads	5 4
Plastic combination hinge, no unhinging.	6 2	Support rollers	9 8
Plastic combination hinge, unhinging.	6 3	Suspension bracket 6–8	10 20
Plastic double castor	8 14	Suspension bracket 8	10 20
Plastic double hinge.	6 5	Suspension bracket for clamping profile connector 40	10 18
Plastic hinge 32 × 60, unhinging, slot 8	6 4	Suspension safety bracket 8/8	10 19
Plastic hinge with clamping lever	6 3	System door	10 14
Plate bordering strips	7 3	System lamp	13 9
Plate gasket	7 3	System pillar 40 × 40 × 80 L	10 8
Pneumatic terminal board	11 12	System pillar 40 × 40 L	10 7
Polycarbonate.	7 12	System pillar 40 × 80 L	10 9
Profile connector.	4 41	System pillar 80 × 80 L	10 10
Profiles and sectional strip.	3 5	T connector	4 42
Protection and partition wall elements N 8	10 16	T-connector panel D28	14 13
Quick pad with slot 8 locking pin.	7 7	T handle screwdriver	12 5
Radius seals	3 8	Thermal stability of PA6	B 5
		Threaded rod for steady knuckle feet for levelling	8 5
		Threaded rods for hinged knuckle foot, ball 15	8 2

Threaded sleeve D28L	14 13
Tie plate	4 39
Tie plate loads	4 39
Tolerances:	1 2
Torsional tolerance.	1 4
Trapezoid base for hinged knuckle feet, ball 15	8 4
Trapezoid base for steady knuckle feet	8 6
Union nut	4 8
Universal butt connector.	4 21
Universal cable tie mount – slot 5–8	11 5
Universal connectors	4 22
Universal pad	7 4
Universal pad 26 CS	7 5
Variable bracket	16 10
Variofix block, die-cast zinc	14 10
Variofix block for round pipe D28	14 10
Vertically divided safety frame	10 6
Wall profile	11 9
Washer	10 13
Wave grid	7 11
Workplace	16 13
ZIG & ZIG-A mega connectors.	4 19



Alle hier aufgeführten Produkte werden vertrieben von:
All listed products are distributed by:

POSTCODE:
2-7/9

syskomp GmbH
 Max-Planck-Str. 1
 92224 Amberg
 GERMANY
 Tel.: +49 9621 67547-0
 Fax: +49 9621 67547-99
 sales@syskomp.de
 www.syskomp-group.com

POSTCODE:
8/93/94

gehmeyr GmbH & Co. KG
 Auerbacher Straße 2
 93057 Regensburg
 GERMANY
 Tel. +49 941 69681-0
 Fax +49 941 69681-49
 info@gehmeyr.de
 www.syskomp-group.com

POSTCODE:
0/1/38/39/98/99

Niederlassung Nord/Ost
 Am Eichelberg 7
 OT Medingen
 01458 Ottendorf-Okrilla
 GERMANY
 Tel. +49 35205 70382-0
 Fax +49 35205 70382-49
 ndl-ost@gehmeyr.de
 www.syskomp-group.com

A

bfm GmbH
 Resselstraße 7
 2752 Wöllersdorf
 AUSTRIA
 Tel. +43 2633 42040-0
 Fax +43 2633 42040-34
 bfm@bfm.at
 www.syskomp-group.com